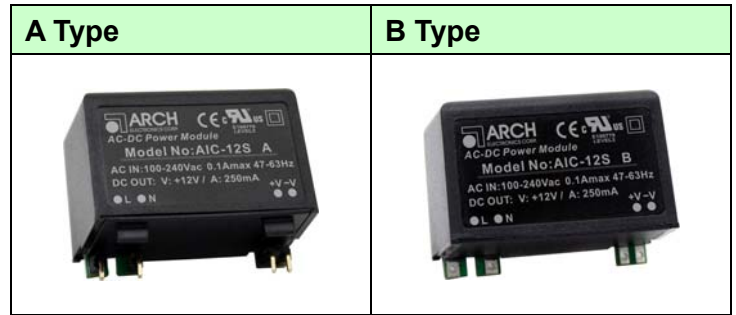


### KEY FEATURES

- Switching Power Module for PCB Mountable
- Fully Encapsulated Plastic Case
- Universal Input Range 90-264VAC, 47-63 Hz
- Low Ripple and Noise
- Isolation Class II
- Maximum No-Load Watts < 0.3W
- CE , UL Approval
- 3-Year Product Warranty



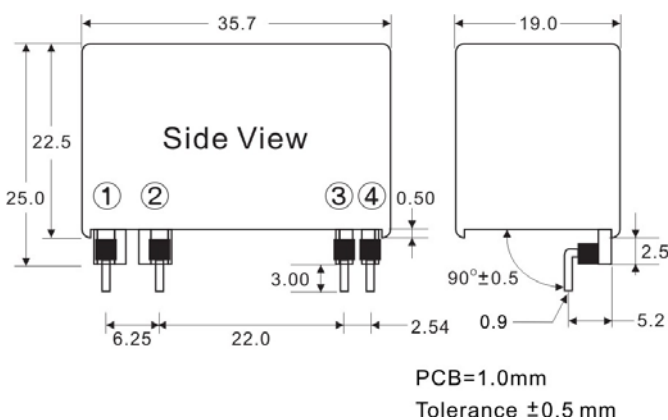
### ELECTRICAL SPECIFICATIONS

All specifications valid at normal input voltage, full load and +25°C after warm-up time unless otherwise stated.

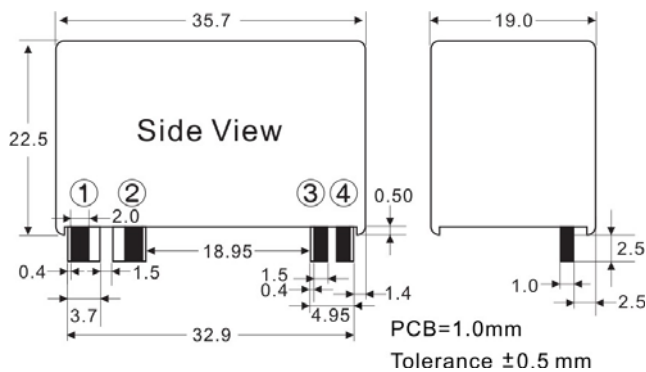
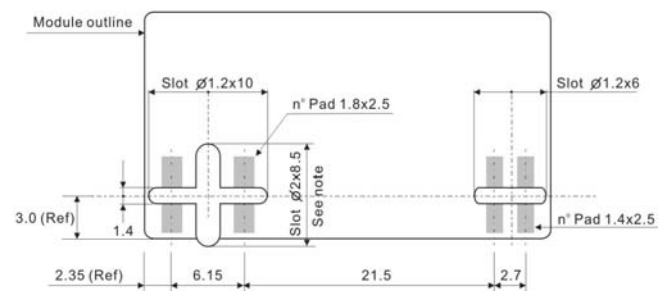
Model No.	AIC-3.3S	AIC-5S	AIC-9S	AIC-12S	AIC-15S	AIC-24S	
Max Output Wattage (W)	2.97W	3W	3W	3W	3W	3W	
Input	Voltage						
	90-264 VAC or 120-370 VDC						
	Frequency (Hz)						
	47-63 Hz						
	Current (Full load)						
	75 mA max. (115 VAC) / 55 mA max. (230 VAC)						
Inrush Current (<500us)							
20 A max. (115 VAC) / 50 A max. (230 VAC)							
Leakage Current							
0.25 mA max.							
External Fuse (recommend)							
3.15 A slow blow type							
Output	Voltage (V.DC.)	3.3V	5V	9V	12V	15V	24V
	Voltage Accuracy	±10%					
	Current (mA) max	900	600	333	250	200	125
	Line Regulation (LL-HL) (typ.)	±5%	±2%				
	Load Regulation (0-100%) (typ.)	±5%	±2%				
	Minimum Load	0%					
	Maximum Capacitive Load (at 230VAC)	14000uF	8000uF	3200uF	1500uF	1000uF	470uF
	Ripple & Noise (Vp-p) max	<250mV	<200mV	<150mV	<100mV		
	Efficiency	69%	71%	76%	76%	76%	77%
	Hold-up Time	15 ms min.					
Protection	Over Power Protection	Hiccup technique, auto-recovery					
	Over Voltage Protection	Zener diode clamp					
	Short Circuit Protection	Hiccup mode (automatic recovery)					
Isolation	Input-Output (V.AC)	3000V					
Environment	Operating Temperature	-40°C...+85°C ( with derating )					
	Storage Temperature	-40°C...+85°C					
	Temperature Coefficient	±0.02%/°C					
	Humidity	95% RH					
	MTBF	>650,000 h @ 25°C (MIL-HDBK-217F)					
Physical	Dimensions (L x W x H)	1.41 x 0.75 x 0.86 Inches ( 35.7 x 19.0 x 22.0 mm ) Tolerance ±0.5 mm					
	Case Material	Plastic resin (flammability to UL 94V-0)					
	Weight	26 g					
	Cooling Method	Free air convection					
Safety	Agency Approvals	UL, cUL, CE					
EMC	EMI (Conducted & Radiated Emission)	EN 55032 class B					
	EMS (Noise Immunity)	EN 55024					

**NOTE**

1. Ripple & Noise are measured at 20MHz of bandwidth with 0.1uF & 47uF parallel capacitor.
2. It's necessary Varistor 14S471K at L / N input side in parallel.
3. It's necessary 10R / 15φ thermistor at L input side in series connection.
4. Please refer to our PDF file "AC-DC Application" on our website: www.archcorp.com.tw

**MECHANICAL DIMENSIONS**
**A Type**


PIN#	Single
1	AC IN (L)
2	AC IN (N)
3	+DC OUT
4	-DC OUT

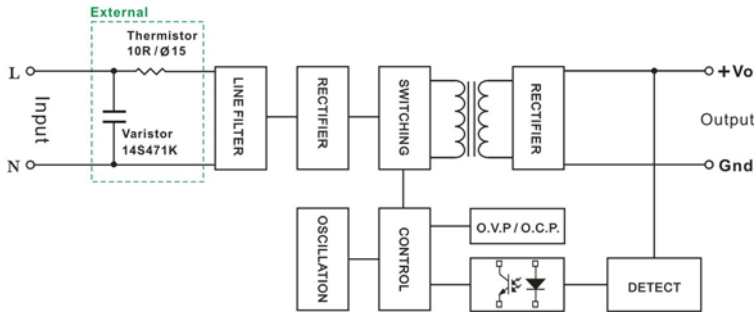
**B Type**

**PCB Footprint- Bottom Side View**

**Note:**

The 2x8.5mm slot is not mandatory  
This slot is useful when high creepage PCB tracks is required

PIN#	Single
1	AC IN (L)
2	AC IN (N)
3	+DC OUT
4	-DC OUT

**BLOCK DIAGRAM**

Single Output



**DERATING**

