

## KEY FEATURES

- Switching Power Module for PCB Mountable
- Fully Encapsulated Plastic Case
- Universal Input Range 90-264VAC, 50 / 60 Hz
- No-Load Watts < 0.1W
- Ultra Compact Size: 1.08" x 1.08" x 0.736" Inches
- Isolation Class II
- CE, CB and UL Approval
- 3-Year Product Warranty



## ELECTRICAL SPECIFICATIONS

All specifications valid at normal input voltage, full load and +25°C after warm-up time unless otherwise stated.

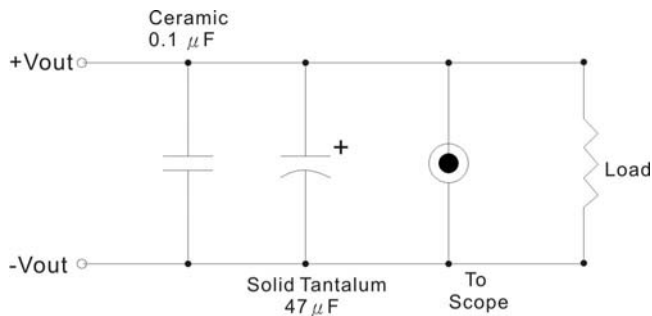
Model No. (Single Output)	AUC-5S	AUC-12S	AUC-15S	AUC-24S	
Max Output Wattage (W)	6.3W	7W			
Input	Voltage				
	90-264 VAC or 120-370 VDC, "N" to DC "+"; "L" to DC "-"				
	Frequency (Hz)				
	50 / 60 Hz				
	Current (Full load)				
	180 mA max. (115 VAC) / 110 mA max. (230 VAC)				
Inrush Current (Note 4.)					
20 A max. (115 VAC) / 40 A max. (230 VAC)					
Leakage Current					
0.25 mA max. (at <240 VAC).					
External Fuse (mandatory)					
2 A slow blow type					
Output	Voltage (V.DC.)	5V	12V	15V	24V
	Voltage Accuracy	±2%			
	Current (mA) max	1260	583	466	292
	Line Regulation (LL-HL) (typ.)	±0.5%			
	Load Regulation (10-100%) (typ.)	±1%.			
	Minimum Load	0%			
	Maximum Capacitive Load	3300uF	1000uF	470uF	68uF
	Ripple	<100mV (Vp-p)			<200mV (Vp-p)
	Noise	<150mV (Vp-p)			<200mV (Vp-p)
	Efficiency (at 230 VAC)	77%	80%	80%	80%
Hold-up Time (at 230 VAC)	30 ms min.				
Protection	Over Power Protection	Hiccup technique, auto-recovery			
	Short Circuit Protection	Hiccup mode (automatic recovery)			
Isolation	Input-Output (V.AC)	3000V			
Environment	Operating Temperature	-40°C...+70°C ( with derating )			
	Storage Temperature	-40°C...+85°C			
	Temperature Coefficient	±0.02%/°C			
	Humidity	95% RH			
	MTBF	>500,000 h @ 25°C (MIL-HDBK-217F)			
Physical	Dimensions (L x W x H)	1.08 x 1.08 x 0.736 Inches ( 27.4 x 27.4 x 18.7 mm ) Tolerance ±0.5 mm			
	Case Material	Plastic resin (flammability to UL 94V-0)			
	Weight	26 g			
	Cooling Method	Free air convection			
Safety	Agency Approvals	IEC / EN 60950, UL / IEC / EN 62368-1			
EMC	EMI (Conducted & Radiated Emission)	EN 55032 class B			
	EMS (Noise Immunity)	EN 55024			

**NOTE**

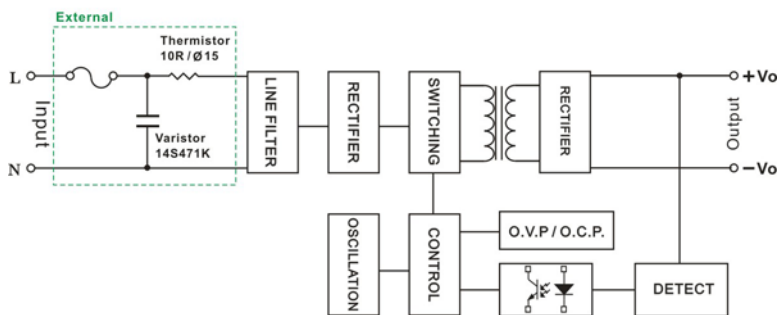
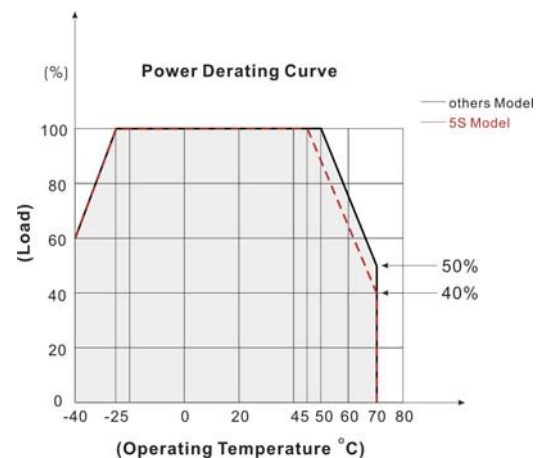
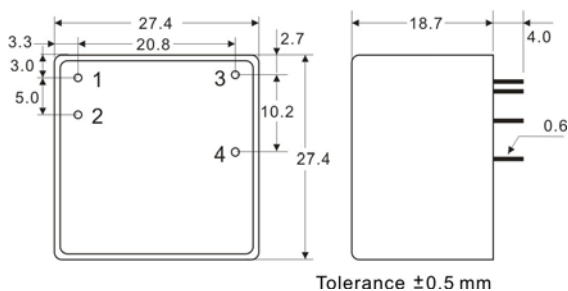
1. All specifications valid at normal input voltage, full load and +25°C after warm-up time unless otherwise stated.
2. Ripple & Noise are measured at 20MHz of bandwidth with 0.1uF & 47uF parallel capacitor.
3. It's necessary Varistor 14S471K at L / N input side in parallel.
4. It's necessary 10R / 15φ thermistor at L input side in series connection.
5. Please refer to our PDF file "AC-DC Application" on our website: [www.archcorp.com.tw](http://www.archcorp.com.tw)

**OUTPUT NOISE**

The output noise is measured with 47μF tantalum capacitor and 0.1μF ceramic capacitor across output.


**BLOCK DIAGRAM**

Single Output


**DERATING**

**MECHANICAL DIMENSIONS ( Top View )**


PIN#	Single
1	AC IN (N)
2	AC IN (L)
3	+DC OUT
4	-DC OUT

Customer is recommended to reserve pad points of 1.0mm in diameter for AC IN (L) and AC IN (N)

