

KEY FEATURES

- Low Standby <0.1W
- Switching Power Module for PCB Mountable
- Fully Encapsulated Plastic Case
- Universal Input Range 90-264VAC, 47-440 Hz
- Regulated Output
- Low Ripple and Low Noise
- Isolation Class II
- Small Size as AFCN 10Watt with 25Watt Higher Power
- CE, CB and UL Approval
- 3-Year Product Warranty



ELECTRICAL SPECIFICATIONS

All specifications valid at normal input voltage, full load and +25°C after warm-up time unless otherwise stated.

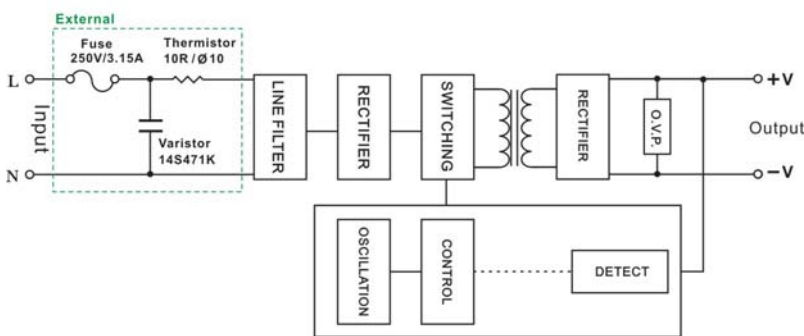
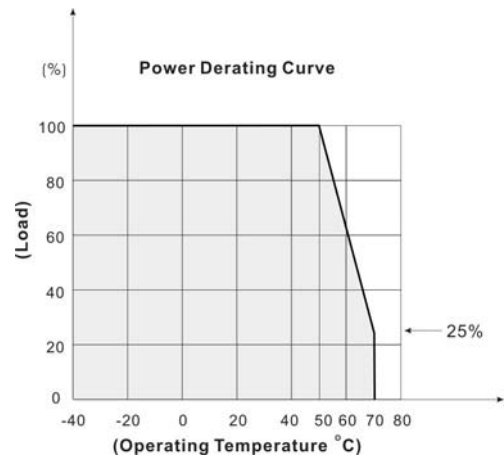
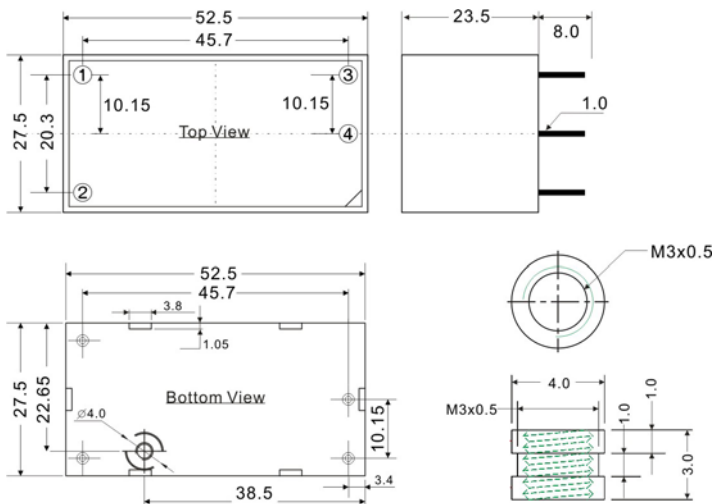
Model No.	AFD25-5.1S	AFD25-12S	AFD25-15S	AFD25-24S
Max Output Wattage (W)	20W	25W	25W	25W
Input	Voltage			
	90-264 VAC or 120-370 VDC			
	Frequency (Hz)			
	47-440 Hz			
	Current (Full load)			
	490 mA max. (115 VAC) / 320 mA max. (230 VAC)			
	Inrush Current (<2ms,Cold Start)			
	30 A max. (115 VAC) / 60 A max. (230 VAC)			
Output	Leakage Current			
	0.25 mA max. (230 VAC)			
	External Fuse (mandatory)			
	3.15 A slow blow type			
	External Varistor (recommended)			
	14S471K			
	External Thermistor (recommended)			
	10R / 10φ			
Output	Voltage (V.DC.)			
	5.1V			
	12V			
	15V			
	24V			
	Voltage Accuracy			
	±2%			
	Current (mA) max			
	3922			
	2083			
1666				
1042				
Maximum Capacitive Load				
2000uF				
680uF				
220uF				
220uF				
Minimum Load				
0%				
Line Regulation (LL-HL) (typ.)				
±1%				
Load Regulation (5-100%) (typ.)				
±3%.				
±1%.				
Ripple & Noise				
120mV max (Vp-p)				
150mV max (Vp-p)				
160mV max (Vp-p)				
240mV max (Vp-p)				
Efficiency (at 230 VAC)				
82%				
86%				
85%				
86%				
Hold-up Time(typ)				
36 ms (at 230VAC)				
Protection	Over Power Protection			
	Hiccup technique, auto-recovery			
	Over Voltage Protection			
Zener diode clamp				
Short Circuit Protection				
Hiccup mode (automatic recovery)				
Isolation	Input-Output (V.AC)			
3000V				
Environment	Operating Temperature			
	-40°C...+70°C (with derating)			
	Storage Temperature			
	-40°C...+85°C			
	Temperature Coefficient			
±0.05%/°C				
Humidity				
95% RH				
MTBF				
>400,000 h @ 25°C (MIL-HDBK-217F)				
Physical	Dimensions (L x W x H)			
	2.07 x 1.08 x 0.93 Inches (52.5 x 27.5 x 23.5 mm) Tolerance ±0.5 mm			
	Case Material			
	Plastic resin (flammability to UL 94V-0)			
Weight				
62 g				
Cooling Method				
Free air convection				
Safety	Agency Approvals			
UL/cUL 60950-1&IEC/EN60950-1, TUV IEC/EN60335-1,CE				
EMC	EMI (Conducted & Radiated Emission)			
	EN 55032 class B			
EMS (Noise Immunity)				
EN 55024				

NOTE

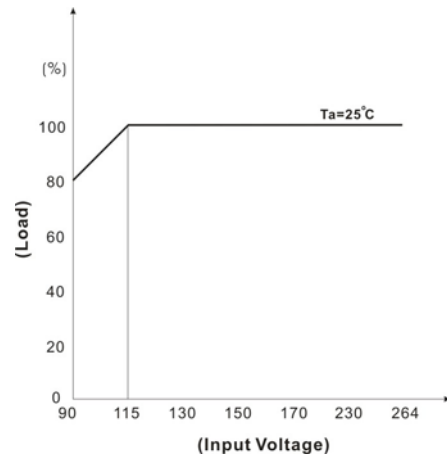
1. Ripple & Noise are measured at 20MHz of bandwidth with 0.1uF & 47uF parallel capacitor.
2. It's recommended Varistor 14S471K at L / N input side in parallel.
3. It's necessary Fuse 250V/3.15A at L input side in series connection.
4. It's recommended 10R / 10φ thermistor at L input side in series connection.
5. Please refer to our PDF file "AC-DC Application" on our website: www.archcorp.com.tw

BLOCK DIAGRAM

Single Output


DERATING

MECHANICAL DIMENSIONS (Top View)


Maximum Torque 12 { 1.2 1 } (k g f . c m { N . m })



PIN#	Single
1	AC IN (L)
2	AC IN (N)
3	+DC OUT
4	-DC OUT