

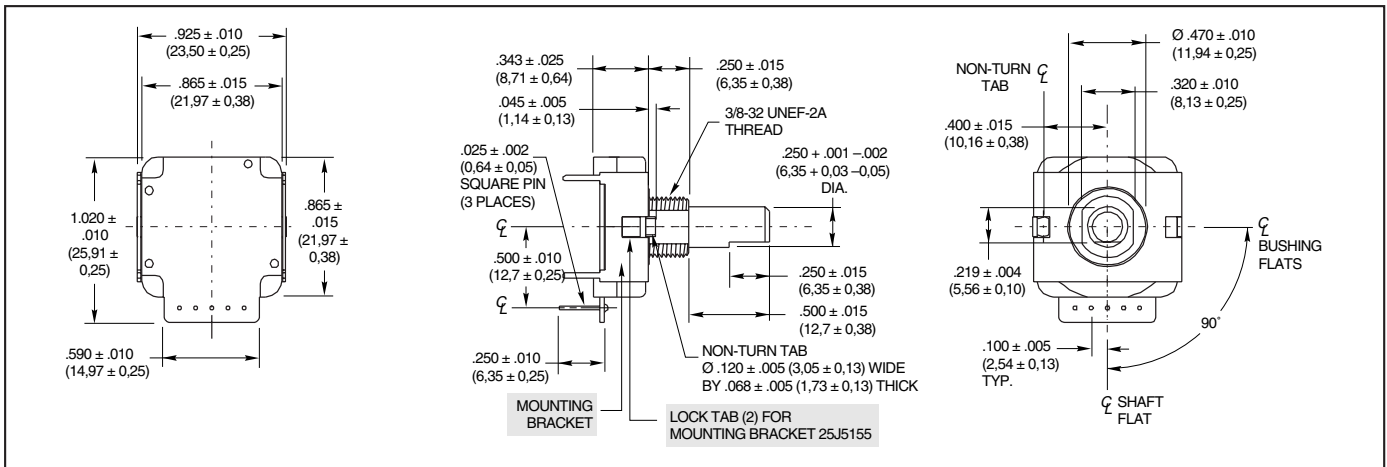
SERIES 25L Hex, Gray and Quadrature Code

FEATURES

- Price Competitive to Similar Designs
- Quality Construction and Contact Materials
- Multiple Code and Indexing Choices
- 100,000 Life Cycles
- Less than 1.0" Square
- Manufactured to ISO 9001 Standards



DIMENSIONS in inches (and millimeters)



Optical and Mechanical Encoders

TRUTH TABLES

Clockwise Rotation					
4-Bit Gray Code-16 Position					
Switch Position	Code Position	Output			
		1	2	4	8
1	0				
2	1	•			
3	2		•		
4	3			•	
5	4				•
6	5	•	•	•	•
7	6		•	•	•
8	7			•	•
9	8				•
10	9	•			•
11	10		•	•	•
12	11			•	•
13	12		•		•
14	13	•			•
15	14		•		•
16	15	•			•

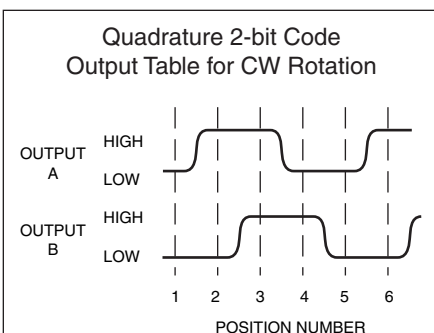
• Indicates closed circuit; blank indicates open circuit.

Clockwise Rotation					
4-Bit Binary Code Hexadecimal-16 Position					
Switch Position	Code Position	Output			
		1	2	4	8
1	0				
2	1	•			
3	2		•		
4	3	•	•		
5	4			•	
6	5	•		•	
7	6		•	•	
8	7	•	•	•	
9	8				•
10	9	•			•
11	10		•	•	•
12	11	•			•
13	12		•		•
14	13	•		•	•
15	14		•	•	•
16	15	•	•	•	•

• Indicates closed circuit; blank indicates open circuit.

Clockwise Rotation		
Quadrature 2-Bit Code 1/4 Cycle per Detent		
Switch Position	"A" Output	"B" Output
1		
2	•	
3		•
4	•	
5		•
6	•	
7		•
8	•	
9		•
10	•	
11		•
12	•	
13		•
14	•	
15		•
16	•	
17		•
18	•	
19		•
20	•	
21		•
22	•	
23		•
24	•	
25		•
26	•	
27		•
28	•	
29		•
30	•	
31		•
32	•	
33		•
34	•	
35		•
36	•	

• Indicates closed circuit; blank indicates open circuit. Code repeats every 4 positions.



SPECIFICATIONS

Electrical Ratings

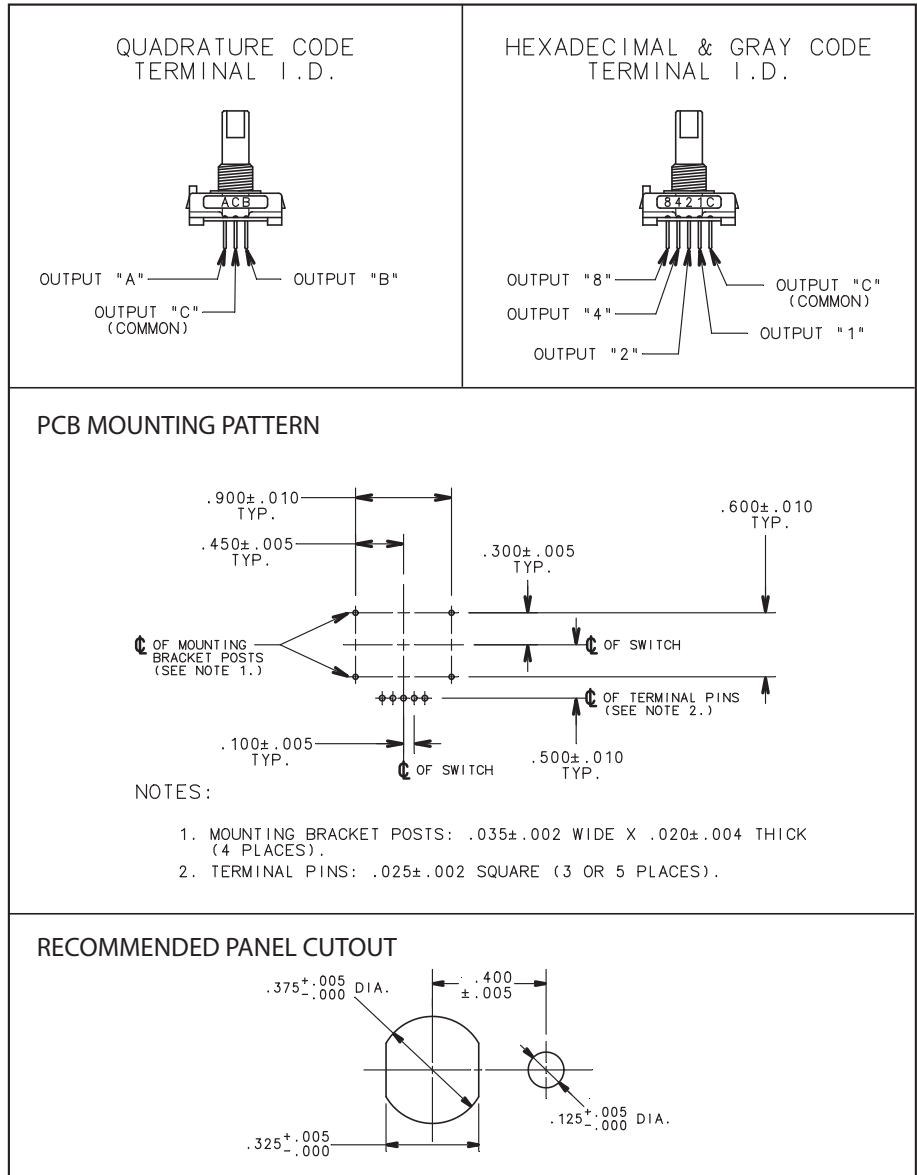
Switching Loads: 1.5 mA at 115 Vac, resistive; 150 mA at 14 Vdc, resistive
Current Carrying Capacity: 250 mA maximum at 28 Vdc, resistive load
Contact Resistance: 75 mΩ, typical
Insulation Resistance: 1000 mΩ minimum between terminals
Voltage Breakdown: 1000 Vac minimum between terminals
Life Expectancy: 100,000 cycles of operation at rated loads. One cycle of operation is a rotation through all of the active positions and a return to the starting position.

Mechanical Ratings

Rotational Torque: 2 to 6 in-oz
Operating Temperature Range: -40 C° to +85 C°
Storage Temperature Range: -65 C° to +85 C°
Continuous Rotation: All standard switches are continuous rotation. Desired stop locations supplied upon request.
Anti-Rotation Device: Integral non-turn tab, flatted bushing, .375" diameter, .320 double "D" across flats.
Termination: Standard is PC style, parallel to shaft, facing rear. Options include PC, parallel to shaft, facing front.
Panel Mounting Torque: 10 in-lbs maximum

Materials and Finishes

Bushing/Housing and Shaft/Rotor: Reinforced thermoplastic
Detent Ball: Stainless steel, nickel-plated
Detent Spring: Tinned music wire
Contacts: Beryllium copper, gold plate over nickel
Terminals: Copper alloy, #725, 100% tin plate over nickel plate
Output Board: FR-4, copper/nickel-plated
Mounting Nut: Brass, tin/zinc-plated hex nut
Mounting Bracket: Stainless Steel, tin-plated



Optical and Mechanical Encoders

ORDERING INFORMATION



Series: 25L = Economical, single deck encoder
Housing Color: B = Black housing; R = Red housing
Angle of Throw: 10 = 10°, 36 positions; 11 = 11.25°, 32 positions; 15 = 15°, 24 positions; 18 = 18°, 20 positions; 22 = 22.5°, 16 positions; 30 = 30°, 12 positions; 45 = 45°, 8 positions
Mounting Bracket: Z = with bracket, Blank = no bracket
Code Output: H = Hexadecimal available only in 22.5°
 G = Gray available only in 22.5°
 Q = Quadrature (2-bit)

Custom materials, styles, color and markings are available. Custom knobs available.

Available from your local Grayhill Distributor. For prices and discounts, contact a local Sales Office, an authorized Distributor or Grayhill. **For Custom codes. Termination, Torque, Angles of Throw, call Grayhill for more information.**