

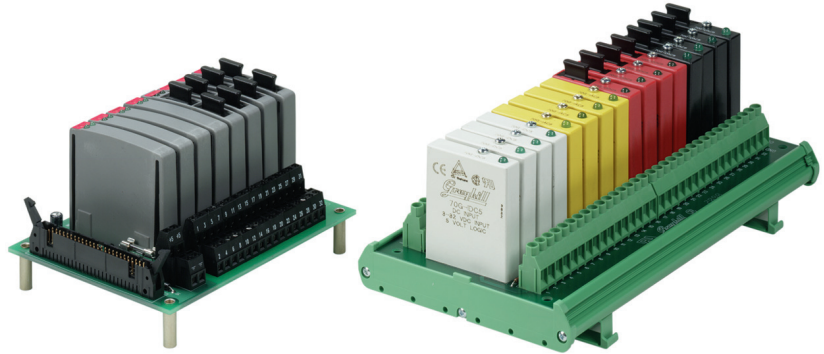


## RACKS 16 Channel



### FEATURES

- For use with System 50 Style Controllers
- Available for Standard, Miniature, G5 and OpenLine® Modules
- Panel and DIN Rail Mount Versions
- UL, CSA Certified
- Operating Temperature: -40°C to 100°C



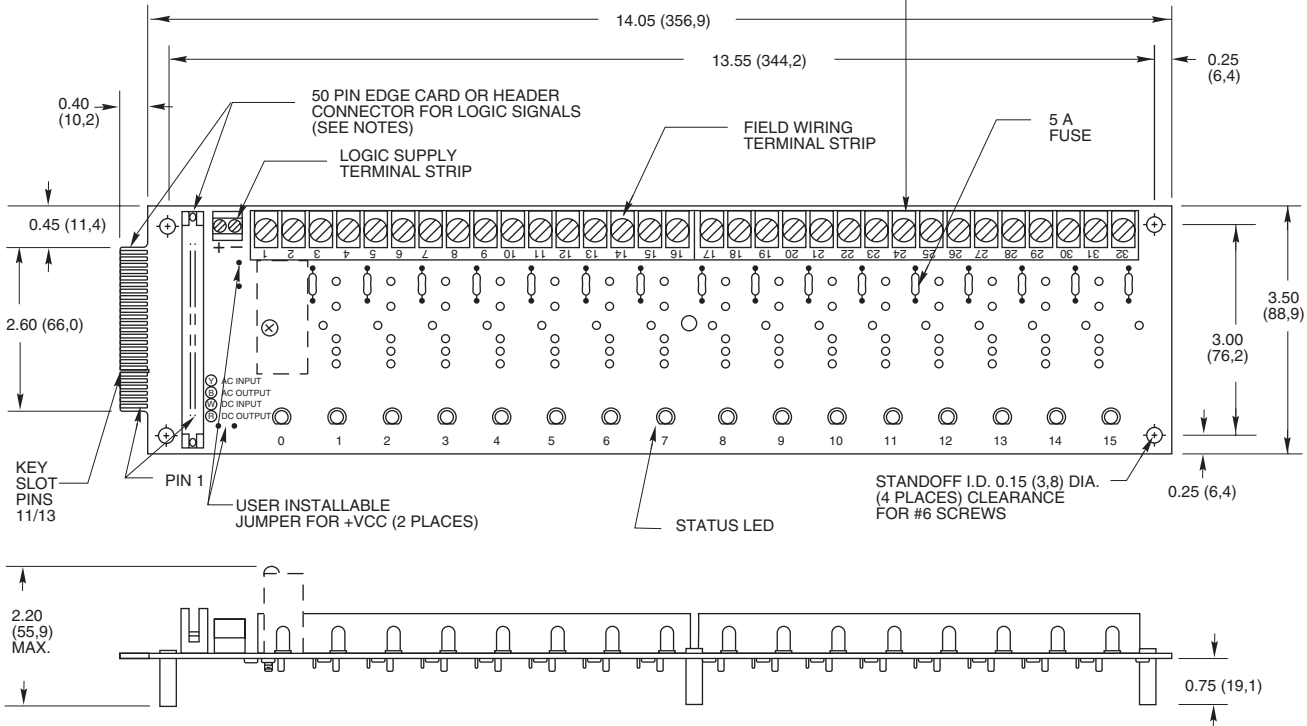
### 16 CHANNEL RACK: Standard

#### Part No. 70RCK16

Dimensions are shown in inches (and millimeters).

All tolerances are  $\pm 0.010$  (0,25) unless otherwise specified.

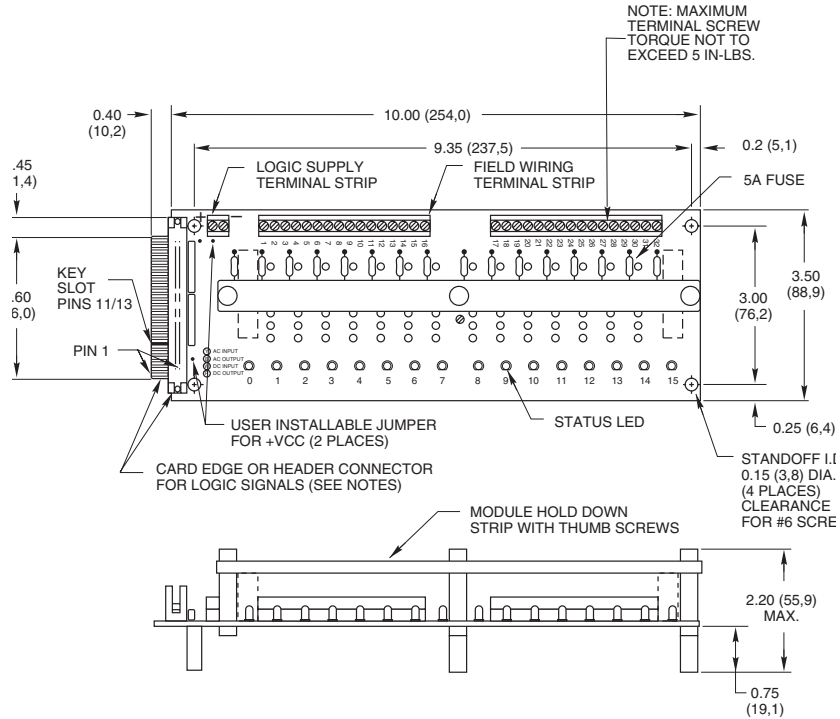
NOTE: MAXIMUM TERMINAL SCREW TORQUE NOT TO EXCEED 5 IN-LBS.



### 16 CHANNEL RACK: Miniature

**Part No. 70MRCK16**

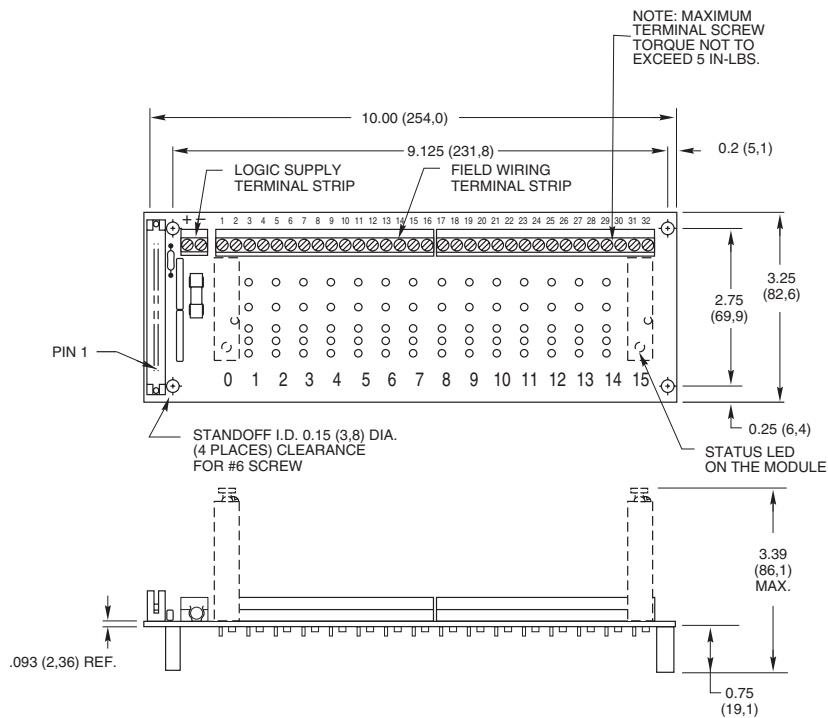
Dimensions are shown in inches (and millimeters).  
All tolerances are  $\pm 0.010$  (0,25) unless otherwise specified.



### 16 CHANNEL RACK: G5

**Part No. 70GRCK16**

Dimensions are shown in inches (and millimeters).  
All tolerances are  $\pm 0.010$  (0,25) unless otherwise specified.



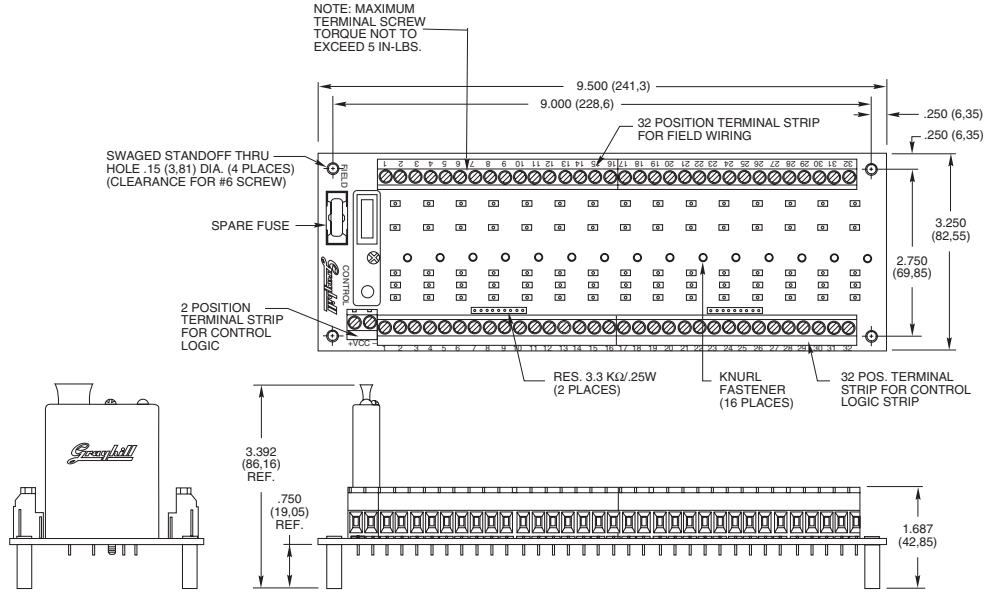


### 16 CHANNEL RACK: G5 Control and Field Connection Terminal Blocks

**Part No. 70GRCK16T**

Dimensions are shown in inches (and millimeters).

All tolerances are  $\pm 0.010$  (0,25) unless otherwise specified.

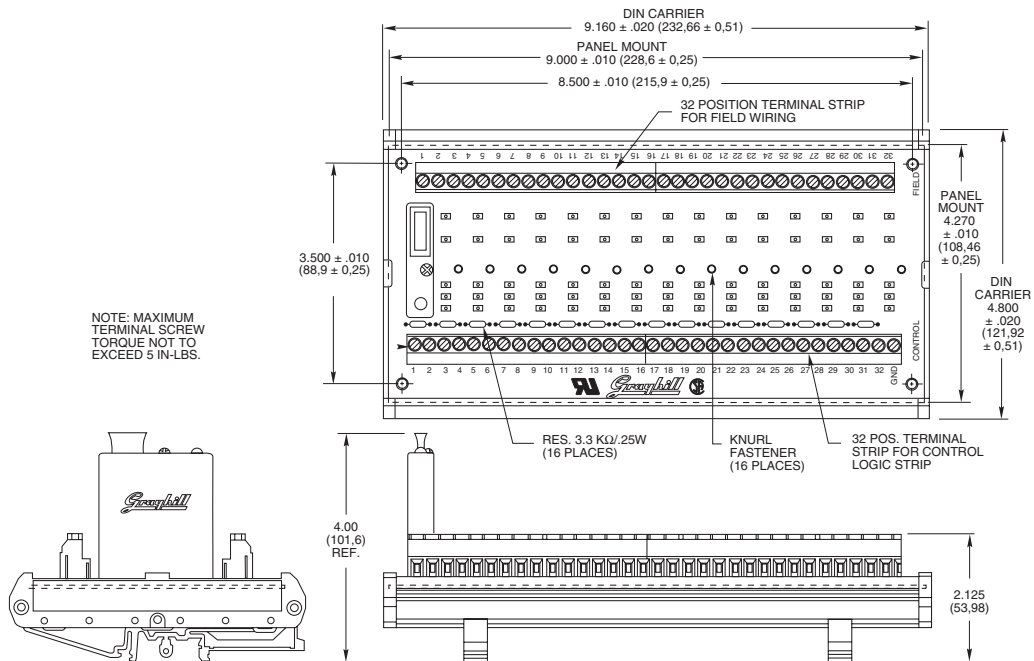


### 16 CHANNEL RACK: G5 Channel-to-Channel Isolation

**Part No. 70GRCK16I and 70GRCK16I-DIN**

Dimensions are shown in inches (and millimeters).

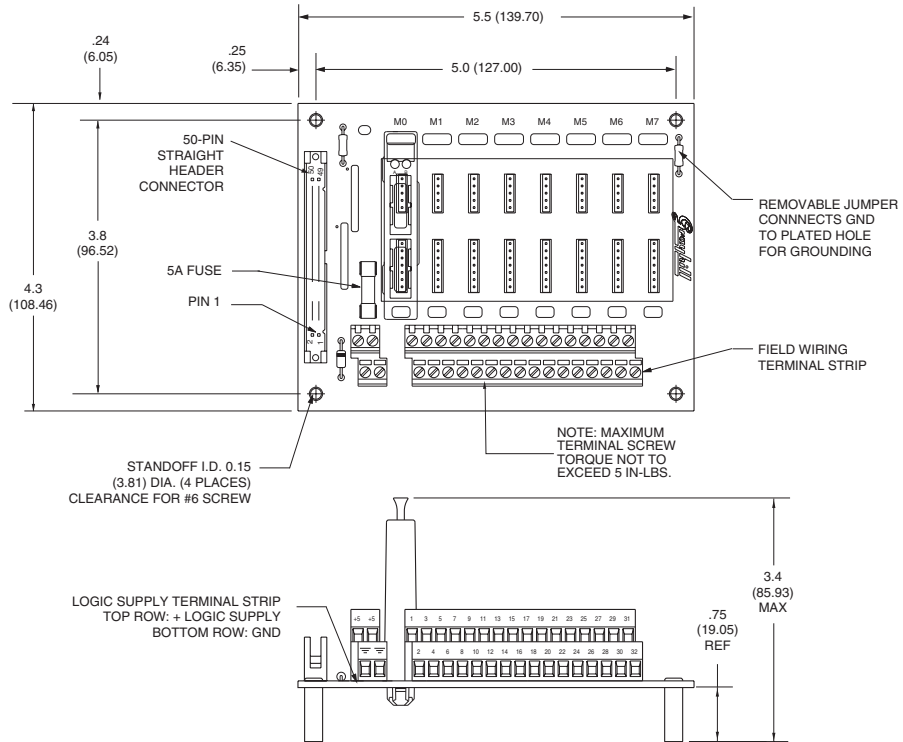
All tolerances are  $\pm 0.010$  (0,25) unless otherwise specified.



### 16 CHANNEL RACK: OpenLine® for System 50

**Part No. 70LRCK16-HL**

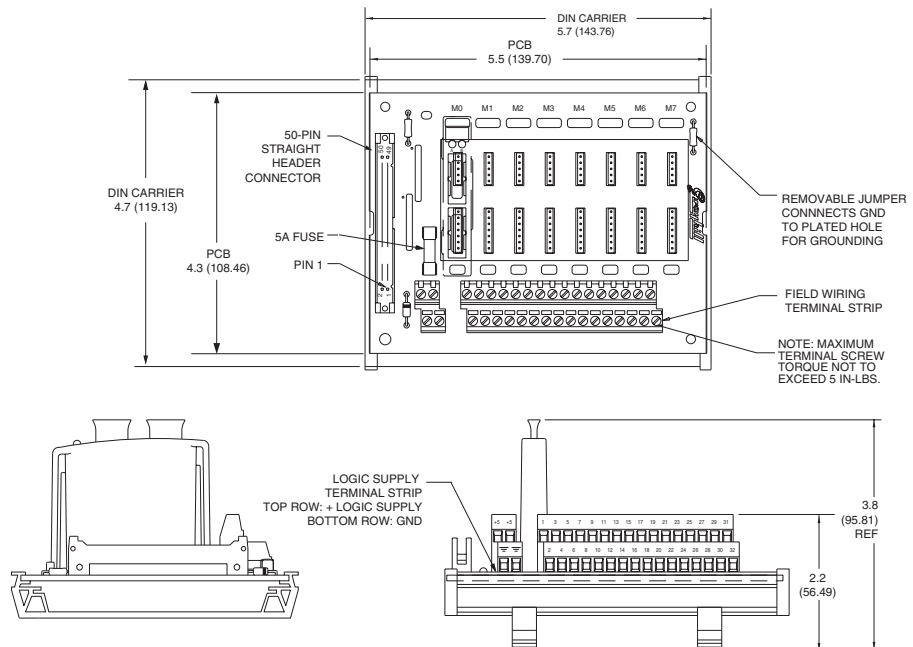
Dimensions are shown in inches (and millimeters).  
All tolerances are  $\pm 0.010$  (0,25) unless otherwise specified.



### 16 CHANNEL RACK: OpenLine® w/ DIN Rail Mount for System 50

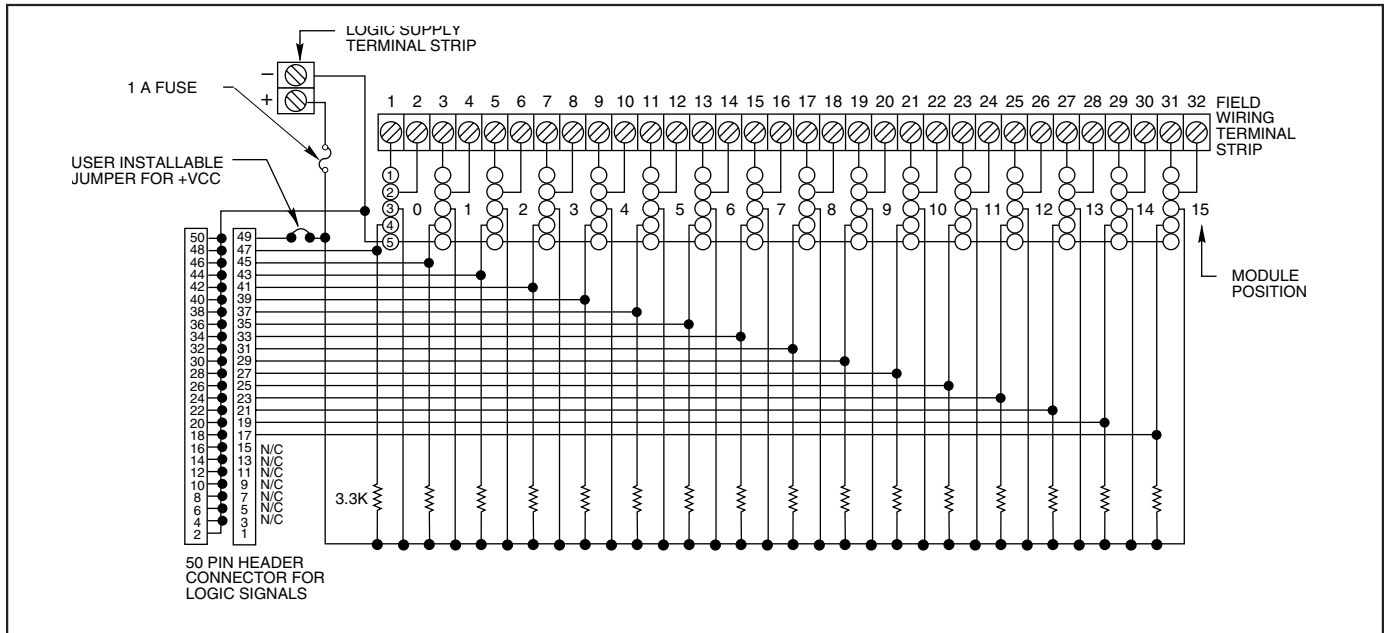
**Part No. 70LRCK16-DIN**

Dimensions are shown in inches (and millimeters).  
All tolerances are  $\pm 0.010$  (0,25) unless otherwise specified.

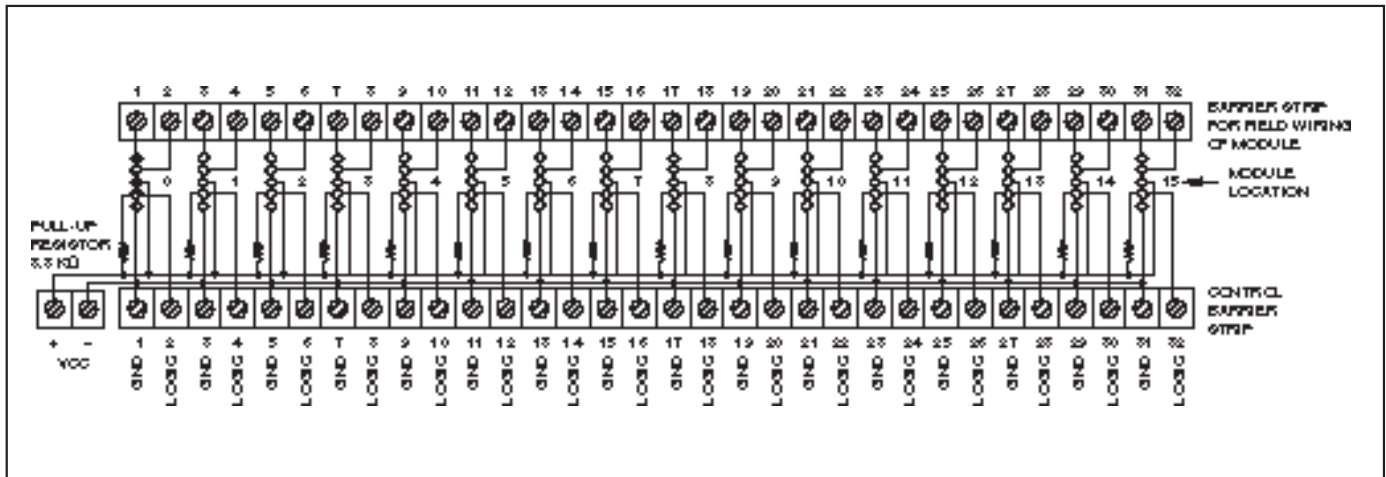




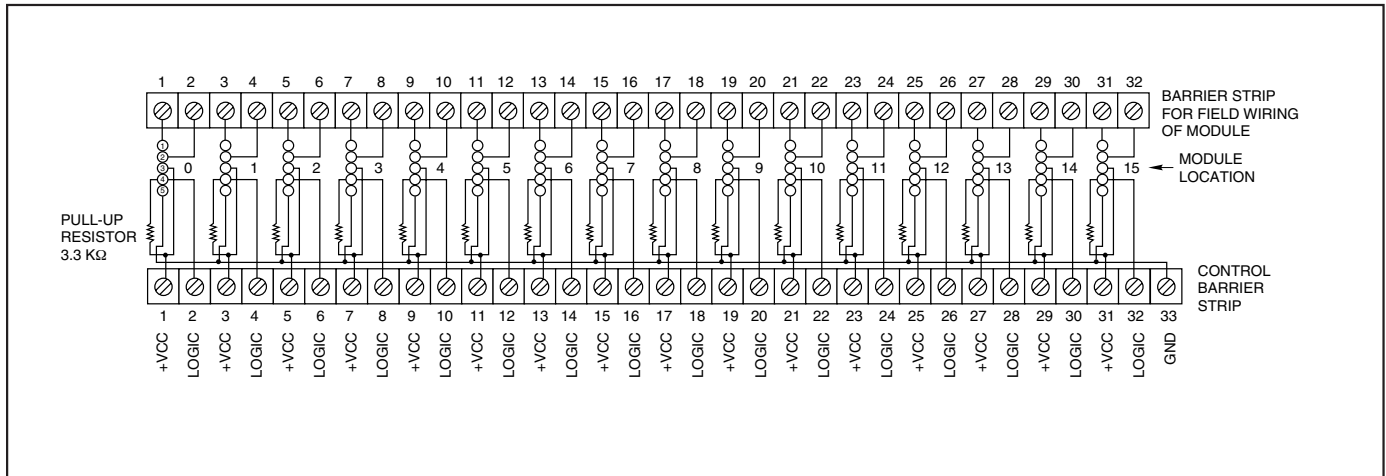
**SCHEMATIC: Part No. 70GRCK16**



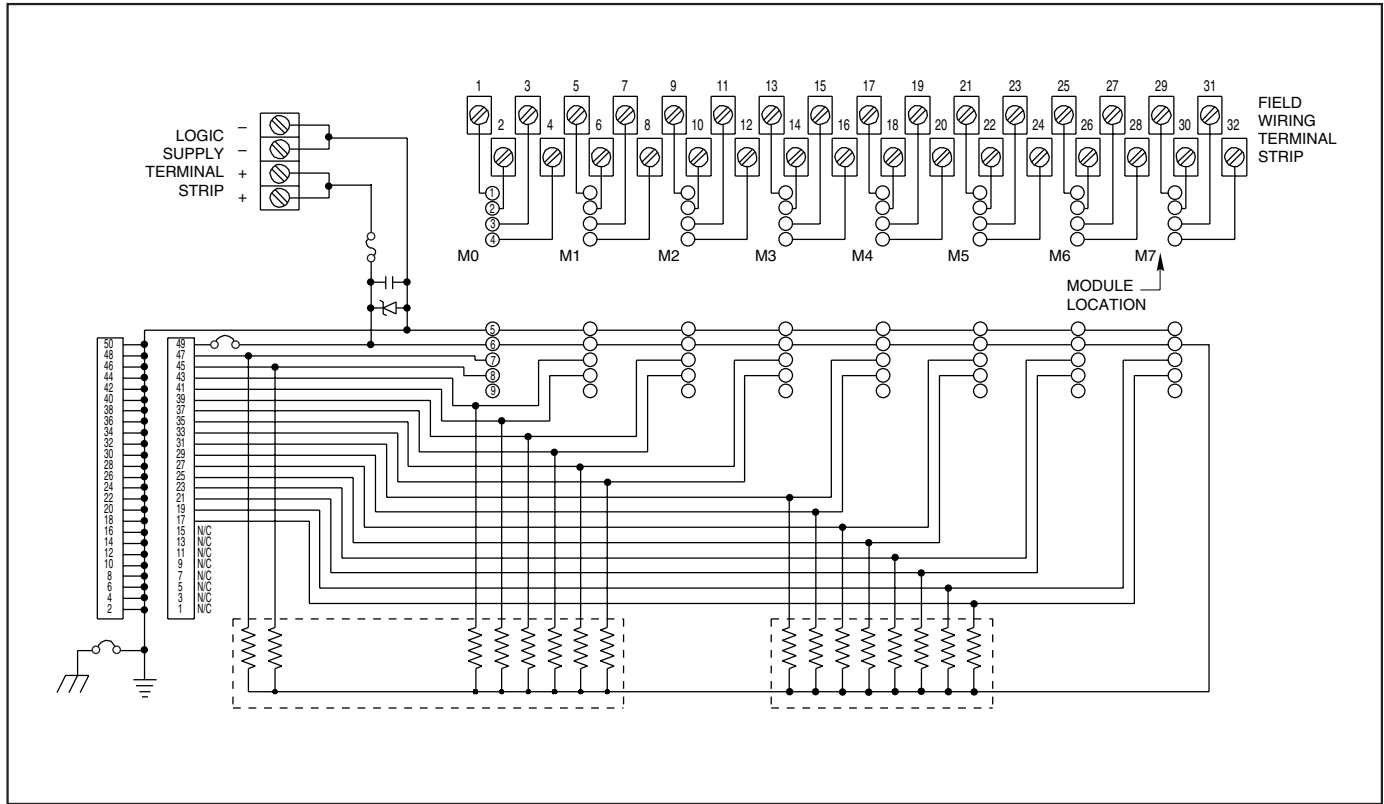
**SCHEMATIC: Part No. 70GRCK16T**



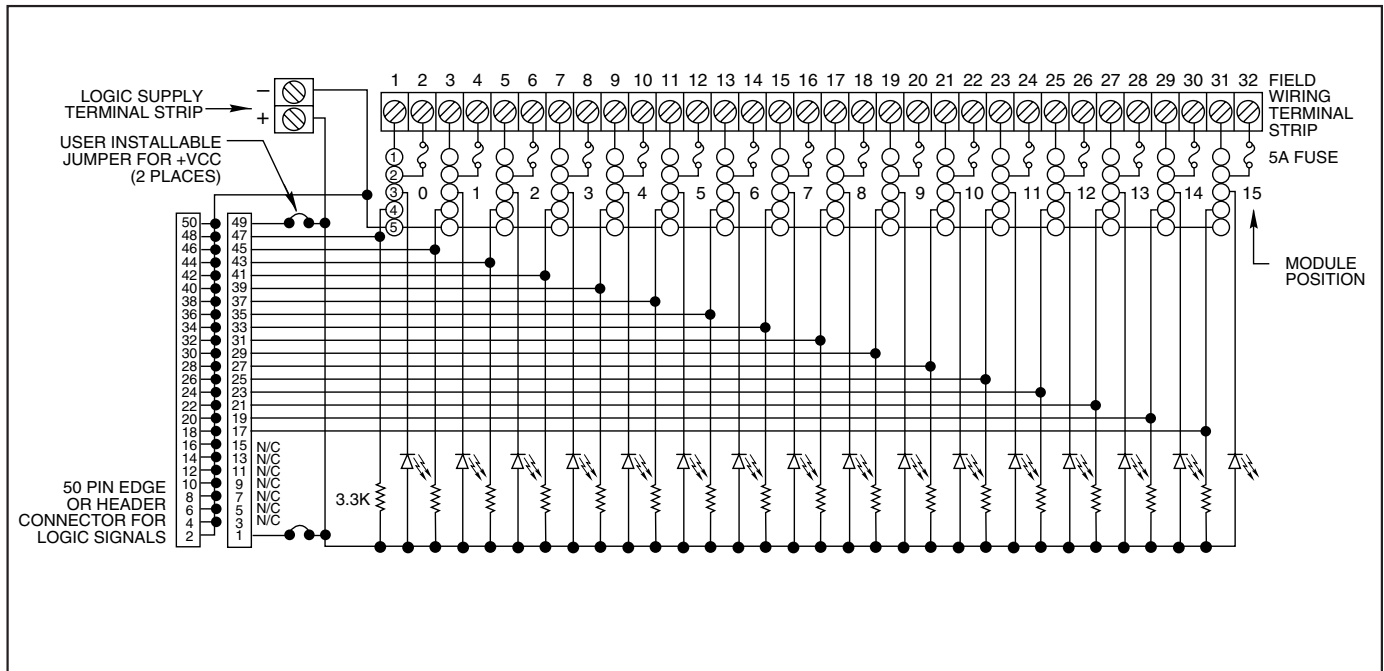
**SCHEMATIC: Part Nos. 70GRCK16I AND 70GRCK16I-DIN**



**SCHEMATIC: Part No. 70LRCK16-HL, -DIN**



**SCHEMATIC: Part Nos. 70RCK16 and 70MRCK16**



System 50



**ORDERING INFORMATION** (modules ordered separately)

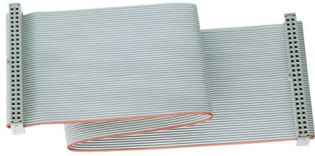
Part Number	I/O	Description	UL	CSA	Style
70RCK16	16	Card edge	X	X	Standard
70RCK16-HL	16	50-pin header with ejector levers	X	X	Standard
70MRCK16-EC	16	Card edge	X	X	Mini
70MRCK16-HL	16	50-pin header with ejector levers	X	X	Mini
70GRCK16-HL	16	50-pin header with ejector levers	X	X	G5
70LRCK16-HL	16	50-pin header with ejector levers	X	X	OpenLine®
70LRCK16-DIN	16	50-pin header with DIN rail mnt.	X	X	OpenLine®
70GRCK16I	16	Positive or negative true logic* –Panel Mount	X	X	G5
70GRCK16I-DIN	16	Positive or negative true logic* –DIN rail mount	X	X	G5
70GRCK16T	16	Negative true logic*–Panel Mount	X	X	G5

**Available from your local Grayhill Distributor.** For prices and discounts, contact a local Sales Office, an authorized local Distributor, or Grayhill.

\* Positive true logic applies to output modules only.

## ACCESSORIES

### CABLE ASSEMBLIES



Several standard cable assemblies to connect controllers to our I/O module mounting racks may be ordered. The 72-CHH cable has a 50-pin header connector on each end to mate with those on mounting racks. The 72-CHE cable has a 50-pin header connector on one end and a 50-pin edge card connector on the other.

### ORDERING INFORMATION

Part Number	Description
<b>Cable Assemblies</b>	
<b>72-CHH-1</b>	Ribbon cable assembly, header to header, 1 foot long
<b>72-CHH-2</b>	Ribbon cable assembly, header to header, 2 feet long
<b>72-CHH-4</b>	Ribbon cable assembly, header to header, 4 feet long
<b>72-CHH-6</b>	Ribbon cable assembly, header to header, 6 feet long
<b>72-CHE-2</b>	Ribbon cable assembly, header to edge card, 2 feet long
<b>72-CHE-4</b>	Ribbon cable assembly, header to edge card, 4 feet long
<b>72-CHE-6</b>	Ribbon cable assembly, header to edge card, 6 feet long

**I/O Modules, Module Racks, and Accessories are available through Authorized Grayhill Industrial Distributors.** For prices and discounts, contact your local sales office, an authorized Industrial Distributor, or Grayhill.