

**SERIES 83**  
Unsealed, .500" Centers

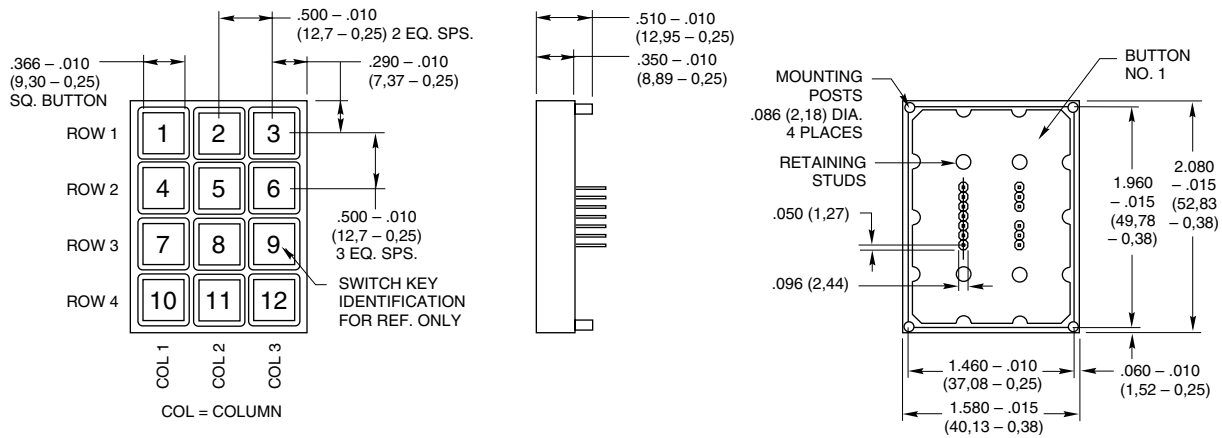
**FEATURES**

- 1/2" Button Centers
- Post Mounted
- Mount by Grooveless Retaining Ring or Heat Upset Post
- Snap-Dome Contact Provides Positive Feedback



**DIMENSIONS** in inches (and millimeters)

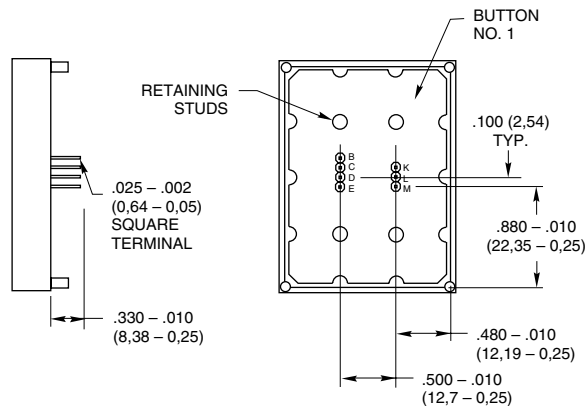
**3x4 Keyboard**



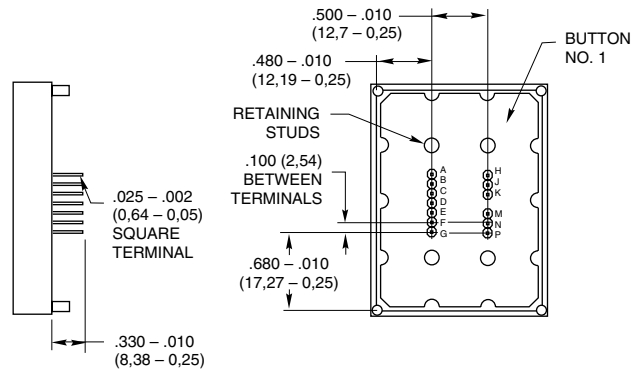
**Termination** in inches (and millimeters)

**3x4**

**Matrix Output**



**Single Pole/Common Bus**



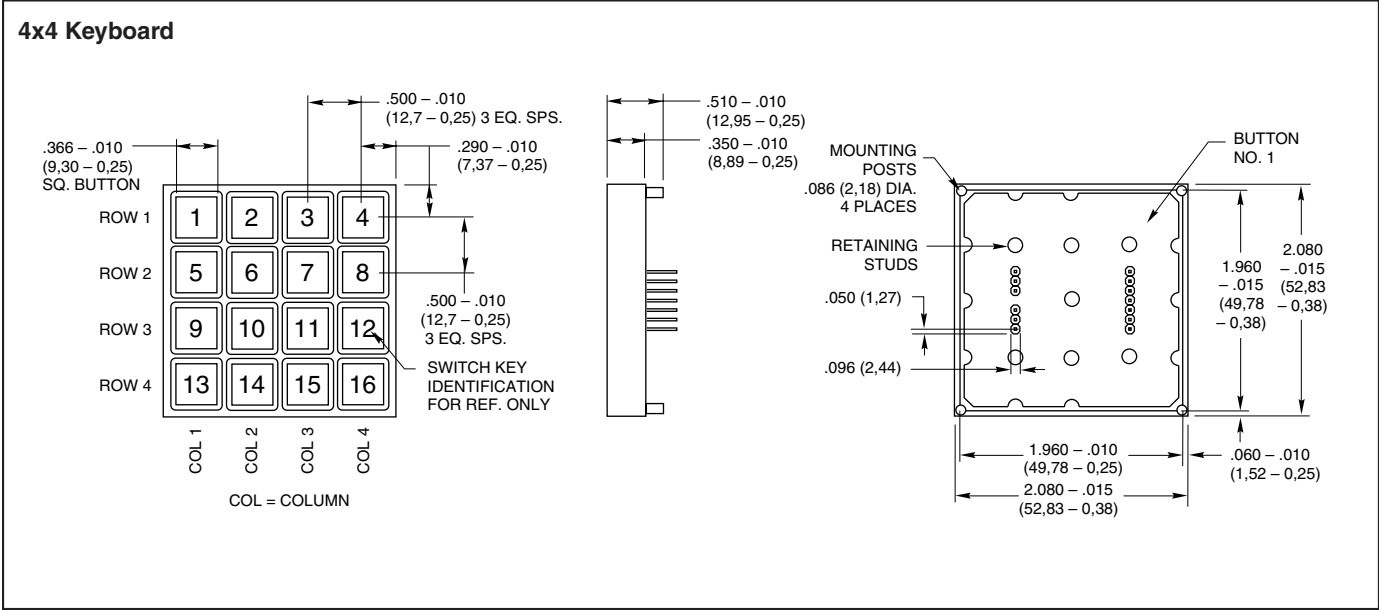
**SERIES 83**  
Unsealed, .500" Centers

**FEATURES**

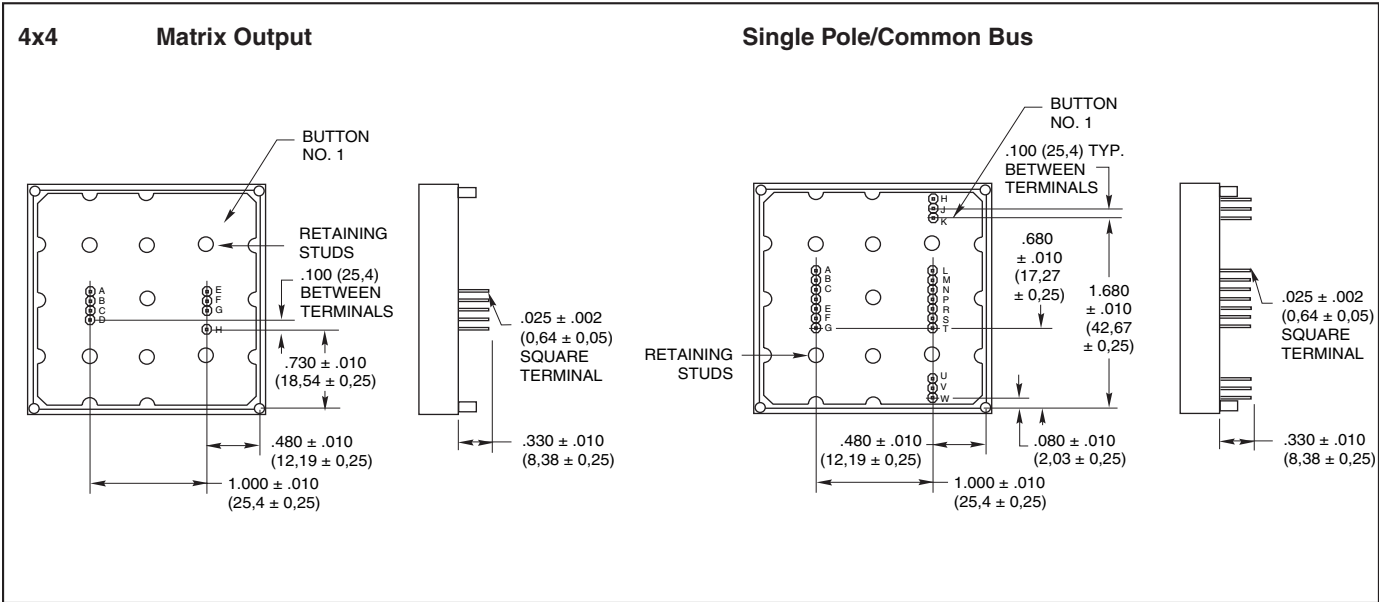
- 1/2" Button Centers
- Post Mounted
- Mount by Grooveless Retaining Ring or Heat Upset Post
- Snap-Dome Contact Provides Positive Feedback



**DIMENSIONS** in inches (and millimeters)



**Termination** in inches (and millimeters)



Keyboards and Keypads



**INSERTABLE LEGEND SHEETS**

For use with -101 or -001 legend option. Legends are die cut to fit button surface when cap is removed.

Description	Part No.
Sheet of Legend Inserts	87AC2046

For prices and discounts, contact a local Sales Office, an authorized local Distributor or Grayhill.

**PRINTED LEGENDS**

**For Maximum Versatility**

Printing allows you the flexibility to create your own legend using whole words and symbols with various type styles. Durable epoxy ink printing bonds to the button cap surface. There are two types of button cap printing:

**Top Surface Printing:** Legend is applied directly to the top of the button. Button is recessed slightly below the keyboard housing.

**Sub-Surface Printing:** For insertable legend models. Provides maximum wear for printed surfaces. Printed internal button cap is protected by clear snap-on cap.

**Printed Typestyles:** The typestyle chart illustrates type style, size and approximate character limits for button caps. Grayhill's library of typefaces includes most popular legends.

Type No. and Typical Height	Sample Style and Typical Sizes	Sub Surface Character and Line Limitations	Top Surface Character and Line Limitations
4GH088 .083"	ABCDEFGH	4 Characters 2 Lines END DATA	4 Characters 2 Lines END DATA
1GH125 .138"	ABCDE	3 Characters 1 Line LAD	3 Characters 1 Line LAD
3GH187 .207"	ABCD	2 Characters 1 Line ON	2 Characters 1 Line ON
2GH250 .276"	ABC	N/A N/A	2 Characters 1 Line 15

Keyboards and Keypads


**ORDERING INFORMATION:**

**Special Legends**

Follow this procedure:

- 1. Basic Keyboard.** Formulate the part number with the exception of the legend suffix.
- 2. Mounting.** Standard mounting is shown in our dimensional drawings. These drawings relate the terminal location to the button legend orientation. It is possible to rotate the button legends by 90°, changing the orientation. When mounting the keypad, it would be rotated 90° to have the legends appear upright. A 3x4 keypad thus becomes a 4x3.
- 3. Color.** Many colors, other than our standard black housing, are available. Buttons can be made from equivalent plastic in black, red, green, blue and yellow. White legends are used with dark color buttons, black with light ones. Other colors available on special order.
- 4. Buttons.** Legends can be printed on button surface and protected by a snap-on cap in a similar fashion to our insertable legend types. A second option is printing a 'blank' button. (One that has the same dimensions as a molded-in legend button with a flat top surface.) Disadvantage is legend wear over time. A third option is molded-in legends, usually requiring tooling. Molded buttons are available with a flat or concave top surface.
- 5. Legends.** Specify the legend requirements for each button. Identify buttons per our dimensional drawings. Caution if keypad has been rotated.

**ORDERING INFORMATION**



**Grayhill Series Number**  
**Size Option**  
 A = 3x4  
 B = 4x4  
**Circuitry Option**  
 B1 = Matrix code  
 C1 = Single pole/common bus  
**Standard Legend Choices**  
 3x4 Size: -101, -102 or -103  
 4x4 Size: -001, -002, -003, -004, -005 or -006

**Available from your local Grayhill Distributor.** For prices and discounts, contact a local Sales Office, an authorized local Distributor or Grayhill.