

FEATURES

- 12 Pin SIL Package
- ±10% Input Range
- 1000 and 3000 VDC Isolation
- Continuous Short Circuit Protection
- Efficiency up to 68%
- Cost Effective; RoHS ✓

GENERAL DESCRIPTION

The VMB series is a family of cost effective 1.5 W single output DC-DC converters with 1kVdc and 3kVdc isolation. These converters achieve low cost and miniature SIL size without compromising performance or field reliability.

Models operate from an input bus voltage of 5, 12 and 24 Vdc offering output voltage levels of 3.3, 5, 7.2, 9, 12, 15, 18 or 24 Vdc.

SIL 12 Package - Standard Types

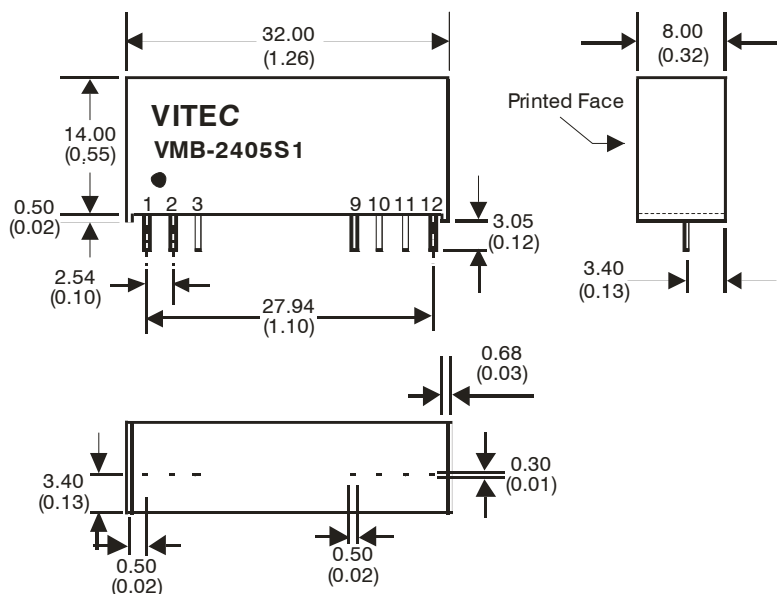
Type Number	Input Voltage [VDC]	Input Current no load (mA) 5/12/24	Input Current full load (mA) 5/12/24	Output Voltage [VDC]	Output Current [mA]	Cap. Load [uF]
VMB-xx3R3S1	5, 12, 24	70/50/25	432/180/88	3,3	400	220
VMB-xx05S1		70/50/25	454/189/96	5,0	300	220
VMB-xx7R2S1		70/50/25	454/186/96	7.2	208	220
VMB-xx09S1		90/50/25	454/186/96	9,0	167	220
VMB-xx12S1		90/50/25	447/186/93	12,0	125	220
VMB-xx15S1		90/50/25	447/183/93	15,0	100	220
VMB-xx18S1		90/50/25	447/183/93	18,0	83	220
VMB-xx24S1		130/50/25	441/183/91	24,0	63	220

xx input voltage
 05 (5 Vdc, ±10%)
 12 (12 Vdc, ±10%)
 24 (24 Vdc, ±10%)
 Suffix H 3kVdc isolation

SIL 12 Package

Pin	1 and 3kVDC Isolation	
	Single Output 1kVdc	Single Output 3kVdc (H)
1	+V Input	+V Input
2	N.C.	- V Input
3	N.C.	N.C.
9	N.C.	N.C.
10	-V Output	-V Output
11	+V Output	+V Output
12	-V Input	N.C.

N.C. ...not connected



ELECTRICAL SPECIFICATIONS

Specifications typical at +25°C, nominal Input voltage, rated output current unless otherwise specified.

Input Specifications

Input Voltage Range	±10%
Filter	Capacitors
Input Reflected Ripple Currents	20mA pk-pk

Isolation Specification

I/O Isolation Voltage 1 Minute, Flash Tested for 1 Second	1000 VDC, Standard 3000 VDC, Suffix H
Resistance	10 ⁹ Ω
Capacitance	60 pF, typ.

Output Specifications

Voltage Accuracy	±2%, max.
Ripple and Noise (20 MHz BW)	75mVp-p, max.
Short Circuit Protection	Continuous
Short Circuit Restart	Automatic
Line Voltage Regulation	±0.5%
Load Voltage Regulation	±0.5%, Load=0~100%
	±1.5%, 3.3V Models
Temperature Coefficient	±0.02%/°C

Environmental Specification

Operating Temperature	-40°C to +71°C (without Derating)
Max. Case Temperature	+100°C
Storage Temperature	-40°C to +125°C
Humidity	max. 95%, non-condensing
Cooling	Free-air convection
MTBF	>1.12 x 10 ⁶ hrs (MIL-HDBK-217F)

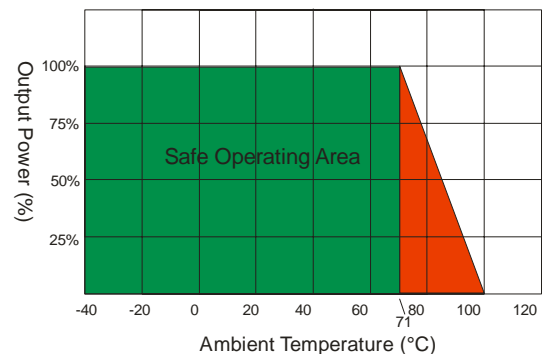
Physical Characteristics

Dimension SIP	32.00 x 8.00 x 14.50 mm
	1.26 x 0.32 x 0.57 inches
Weight	7.2 g
Case Material	Non-conductive plastic

General Specifications

Efficiency	61% to 68%
Switching Frequency	50kHz, typ.
Safety Standard (designed to meet)	IEC 60950-1
Lead Soldering Temperature (1.5mm from case 10sec.)	260°C

Derating VMB-Series



Notes:

All dimensions in millimeters (inches).
 Tolerance ±0.25mm (0.01).

Specifications can be changed without prior notice.

Products are not intended for and must not be used in life support systems, human implantation, nuclear facilities or systems or any other application where product failure or malfunction of the component could lead to loss of life or catastrophic property damage.