



# FM05D200P DC FILTER MODULE

## Application Note V10 November 2019

### FM05D200P DC FILTER MODULE



#### Approved By:

Department	Approved By	Checked By	Written By
Research and Development Department	Enoch	Astray	Astray
		Jacky	
Quality Assurance Department	Ryan	Benny	



# FM05D200P DC FILTER MODULE

## Application Note V10 November 2019

---

### Content

<b>1. INTRODUCTION</b>	<b>3</b>
<b>2. FEATURES</b>	<b>3</b>
<b>3. ELECTRICAL CIRCUIT DIAGRAM</b>	<b>3</b>
<b>4. TECHNICAL SPECIFICATIONS</b>	<b>4</b>
<b>5. MAIN FEATURES AND FUNCTIONS</b>	<b>5</b>
5.1 Operating Temperature Range	5
5.2 Insertion Loss	5
<b>6. APPLICATIONS</b>	<b>5</b>
6.1 Recommend Layout, PCB Footprint and Soldering Information	5
6.2 Thermal Considerations	5
6.3 Power Derating	6
6.4 Quarter Brick Heat Sinks:	8
<b>7. CONNECTION FOR STANDARD USE</b>	<b>9</b>
<b>8. PART NUMBER</b>	<b>12</b>
<b>9. MECHANICAL OUTLINE DIAGRAMS</b>	<b>12</b>
9.1 FM05D200P Mechanical Outline Diagrams	12



# FM05D200P DC FILTER MODULE

## Application Note V10 November 2019

### 1. Introduction

FM05D200P filter module is created to accommodate the need to meet Railway standards of EN55015 standard, and Fire & Smoke EN45545-2. This standard filter simplifies the process of meeting the necessary requirements for Railway applications. The filter module is designed to reduce common mode and differential mode noise of the DC converter. The FM05D200P filter module offers maximum current rating of 5A and maximum rated voltage up to 200V.

It has industry Quarter-Brick size and pinouts. Allowing case operating temperature range of  $-40^{\circ}\text{C}$  to  $110^{\circ}\text{C}$ . An optional heat sink is available to extend the full power range of the unit. The filter module provides excellent thermal performance. FM05D200P is designed primarily for common railway applications and also suitable for distributed power architectures, telecommunications, battery operated equipment and industrial applications.

### 2. Features

- \* Quarter-Brick Size Meet Industrial Standard
- \* PCB Mount
- \* 5A Filter Module
- \* 200VDC Input Voltage Maximum
- \* All Capacitors are Multi-Layer Ceramic Inside
- \* Fire & Smoke Meets EN45545-2

### 3. Electrical Circuit Diagram

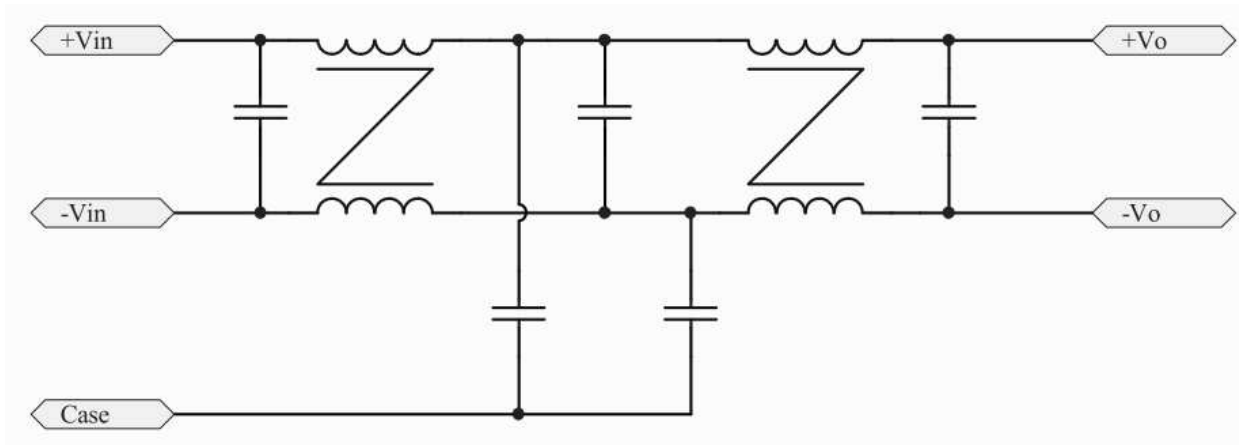


Figure1 Internal Schematic for FM05D200P Module



# FM05D200P DC FILTER MODULE

## Application Note V10 November 2019

### 4. Technical Specifications

(All specifications are typical at nominal input, full load at 25°C unless otherwise noted.)

#### ABSOLUTE MAXIMUM RATINGS

PARAMETER	NOTES and CONDITIONS	Device	Min.	Typical	Max.	Units
Input Voltage						
Continuous		All			200	V <sub>dc</sub>
Transient	1 second	All			250	V <sub>dc</sub>
Operating Temperature	see derating curve	All	-40		+110	°C
Storage Temperature		All	-55		+125	°C

#### ELECTRICAL CHARACTERISTICS

PARAMETER	NOTES and CONDITIONS	Device	Min.	Typical	Max.	Units
Operating Voltage Range		All	0		200	V <sub>dc</sub>
Operating Current Range		All	0		5	A
Input Surge Voltage	1 second	All			250	V <sub>dc</sub>
DC Resistance	+Input to +Output.	All		34	38	mΩ
	-Input to -Output	All		34	38	mΩ

#### ISOLATION CHARACTERISTICS

PARAMETER	NOTES and CONDITIONS	Device	Min.	Typical	Max.	Units
Isolation Voltage	1 minute; input to case, output to case	All			2250	V <sub>dc</sub>
					1500	V <sub>ac</sub>
Isolation Resistance	500Vdc, input to case, output to case	All	100			MΩ
Isolation Capacitance	input to case, output to case	All		4000		pF

#### GENERAL SPECIFICATIONS

PARAMETER	NOTES and CONDITIONS	Device	Min.	Typical	Max.	Units
Weight		All		59		grams
Case Material	Plastic, DAP					
Base plate Material	Aluminum					
Potting Material	UL 94V-0					
Shock/Vibration	Meets EN50155 (EN61373)					
Humidity	95% RH max. Non Condensing					
Thermal Shock	Meets MIL-STD-810F					
Fire & Smoke	Meets EN45545-2					



# FM05D200P DC FILTER MODULE

## Application Note V10 November 2019

### 5. Main Features and Functions

#### 5.1 Operating Temperature Range

The FM05D200P filter module has resulted in their ability to operate within ambient temperature environments from -40°C to 110°C. The derating curve was drawn from the FM05D200P module.

- Output load current
- Forced air or natural convection
- Heat sink optional

#### 5.2 Insertion Loss

The filter module is designed to reduce common mode and differential mode noise of the DC converter. The typical characteristics see below.

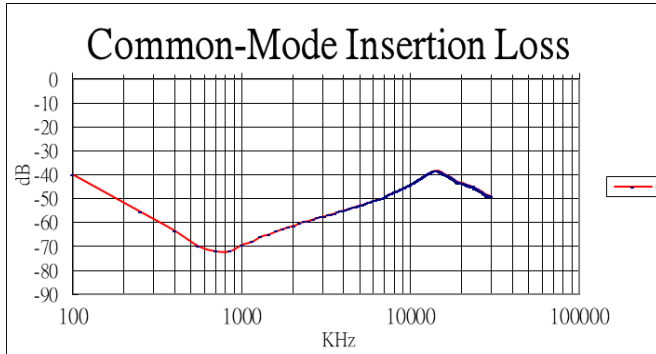


Figure 2. Typical Common-Mode Insertion Loss

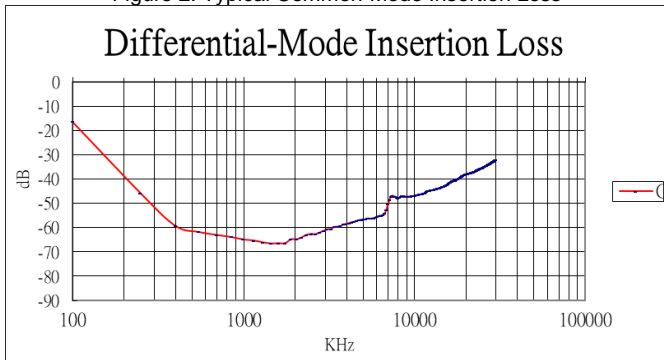


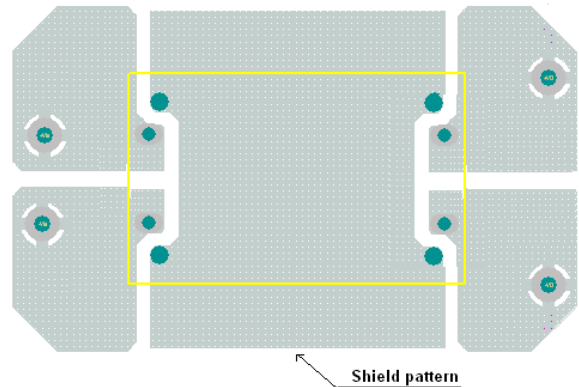
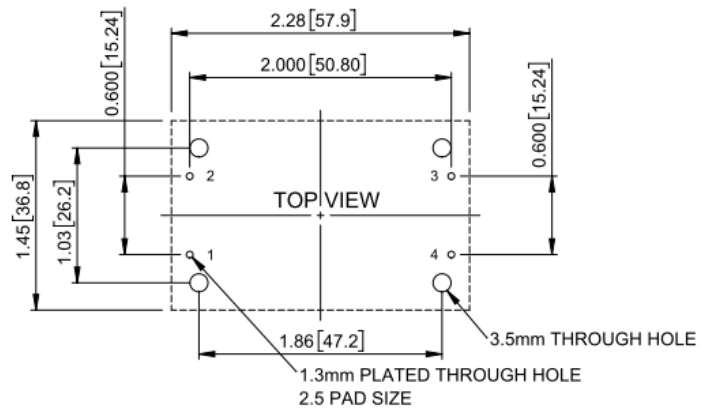
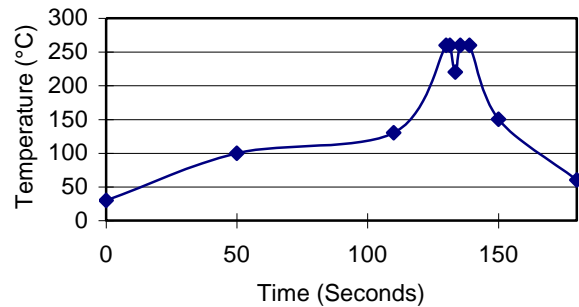
Figure 3. Typical Differential-Mode Insertion Loss

### 6. Applications

#### 6.1 Recommend Layout, PCB Footprint and Soldering Information

The system designer or end user must ensure that metal and other components in the vicinity of the module meet the spacing requirements for which the system is approved. Low resistance and inductance PCB layout traces are the norm and should be used where possible. Due consideration must also be given to proper low impedance tracks between power module, input and output grounds. The recommended soldering profile and PCB layout are shown below.

Lead Free Wave Soldering Profile



#### 6.2 Thermal Considerations

The module operates in a variety of thermal environments; however, sufficient cooling should be provided to help ensure reliable operation of the unit. Heat is removed by conduction, convection, and radiation to the surrounding environment. The example is presented in **section 6.3**. The current output of the module should not be allowed to exceed rated current.



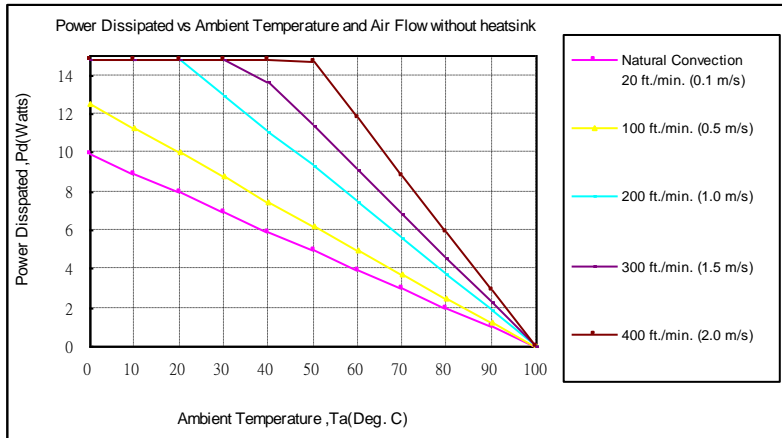
# FM05D200P DC FILTER MODULE

## Application Note V10 November 2019

### 6.3 Power Derating

The operating case temperature range of FM05D200P is -40°C to +110°C. When operating the FM05D200P, proper derating or cooling is needed. The maximum case temperature under any operating condition should not exceed 110°C.

The following curve is the de-rating curve of FM05D200P without heat sink.



AIR FLOW RATE	TYPICAL R <sub>ca</sub>
Natural Convection 20ft./min. (0.1m/s)	10.1 °C/W
100 ft./min. (0.5m/s)	8.0 °C/W
200 ft./min. (1.0m/s)	5.4 °C/W
300 ft./min. (1.5m/s)	4.4 °C/W
400 ft./min. (2.0m/s)	3.4 °C/W

#### Example:

What is the minimum airflow necessary for a FM05D200P operating at output current of 5A, and a maximum ambient temperature of 80°C?

#### Solution:

##### Given:

$$I_o=5A$$

##### Determine Power dissipation (P<sub>d</sub>):

$$P_d = I_o \times I_o \times DCR$$

$$P_d = 5A \times 5A \times (34m\Omega + 34m\Omega) = 1.7Watts$$

##### Determine airflow:

$$\text{Given: } P_d = 1.7W \text{ and } T_a = 80^\circ C$$

##### Check Power Derating curve:

$$\text{Minimum airflow} = 20 \text{ ft./min.}$$

##### Verify:

Maximum temperature rise is

$$\Delta T = P_d \times R_{ca} = 1.7W \times 10.1 = 17.17^\circ C$$

Maximum case temperature is

$$T_c = T_a + \Delta T = 97.17^\circ C < 110^\circ C$$

##### Where:

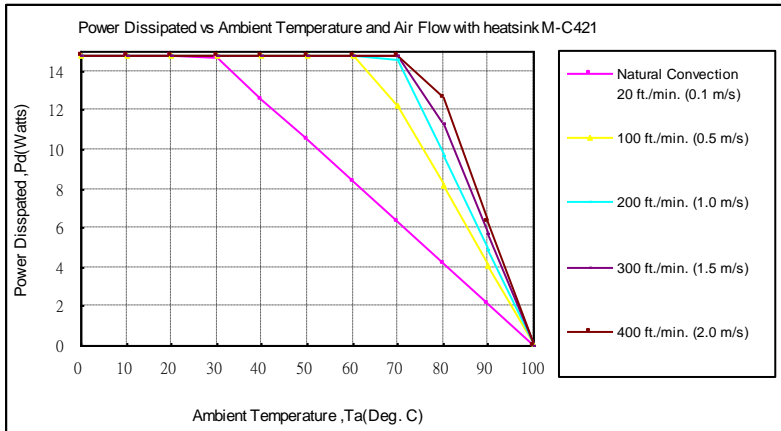
The R<sub>ca</sub> is thermal resistance from case to ambient environment.

T<sub>a</sub> is ambient temperature and T<sub>c</sub> is case temperature.



# FM05D200P DC FILTER MODULE

## Application Note V10 November 2019



AIR FLOW RATE	TYPICAL $R_{ca}$
Natural Convection 20ft./min. (0.1m/s)	4.78 °C/W
100 ft./min. (0.5m/s)	2.44 °C/W
200 ft./min. (1.0m/s)	2.06 °C/W
300 ft./min. (1.5m/s)	1.76 °C/W
400 ft./min. (2.0m/s)	1.58 °C/W

Example with heat sink QBT210 (M-C421):

What is the minimum airflow necessary for a FM05D200P operating at output current of 5A, and a maximum ambient temperature of 100°C?

**Solution:**

**Given:**

$$I_o = 5A$$

**Determine Power dissipation ( $P_d$ ):**

$$P_d = I_o \times I_o \times DCR$$

$$P_d = 5A \times 5A \times (34m\Omega + 34m\Omega) = 1.7Watts$$

**Determine airflow:**

$$\text{Given: } P_d = 1.7W \text{ and } T_a = 100^\circ C$$

**Check above Power de-rating curve:**

$$\text{Minimum airflow} = 100 \text{ ft./min}$$

**Verify:**

$$\text{Maximum temperature rise is } \Delta T = P_d \times R_{ca} = 1.7 \times 2.44 = 4.15^\circ C$$

$$\text{Maximum case temperature is } T_c = T_a + \Delta T = 104.15^\circ C < 110^\circ C$$

**Where:**

The  $R_{ca}$  is thermal resistance from case to ambient environment.

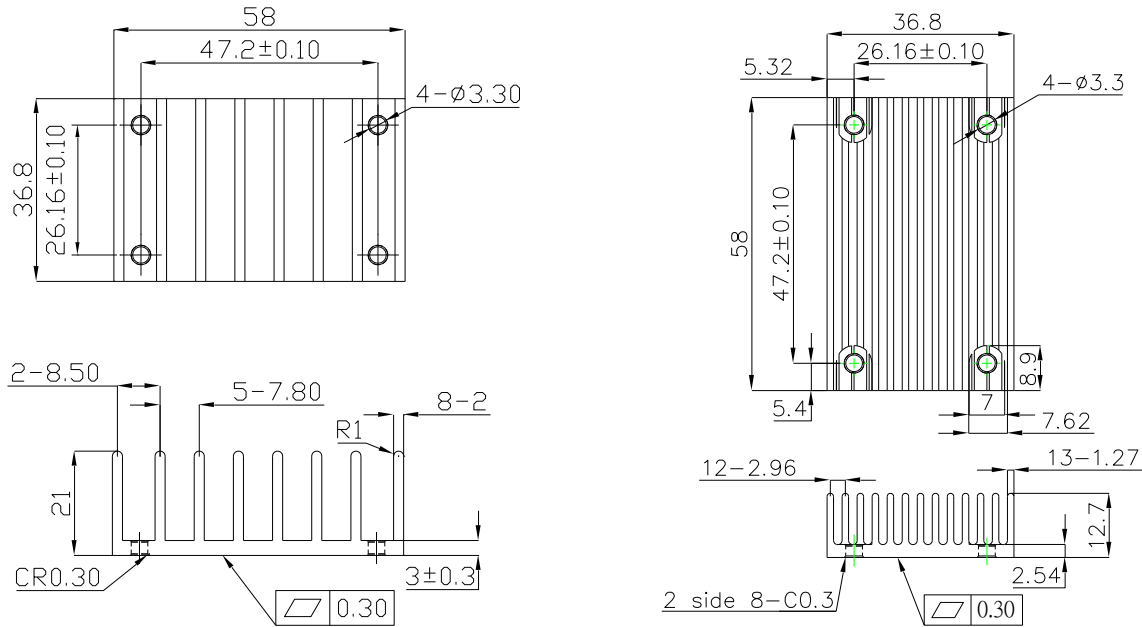
$T_a$  is ambient temperature and  $T_c$  is case temperature.



# FM05D200P DC FILTER MODULE

## Application Note V10 November 2019

### 6.4 Quarter Brick Heat Sinks:



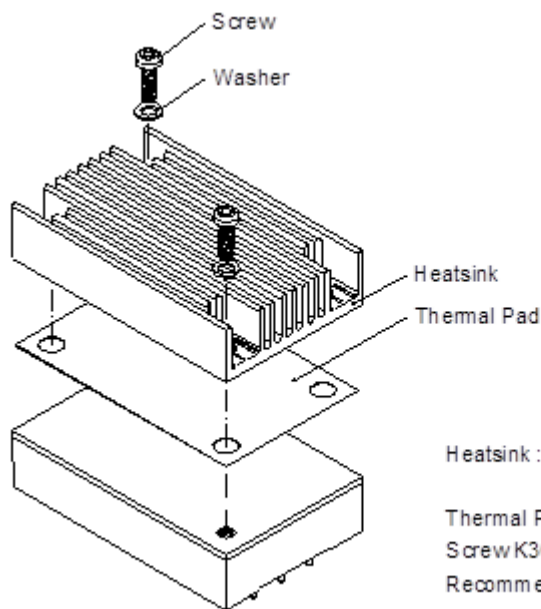
All Dimensions in mm

#### QBT210 (M-C421): G6620510201 Transverse Heat Sink

- Rca: 4.78°C/W (typ.), At natural convection
- 2.44°C/W (typ.), At 100LFM
- 2.06°C/W (typ.), At 200LFM
- 1.76°C/W (typ.), At 300LFM
- 1.58°C/W (typ.), At 400LFM

#### QBL127 (M-C448): G6620570202 Longitudinal Heat Sink

- Rca: 5.61°C/W (typ.), At natural convection
- 4.01°C/W (typ.), At 100LFM
- 3.39°C/W (typ.), At 200LFM
- 2.86°C/W (typ.), At 300LFM
- 2.49°C/W (typ.), At 400LFM



- Heatsink : QBL127 (M-C448)
- QBT210 (M-C421)
- Thermal Pad PQ01: SZ35.8x56.9x0.25mm
- Screw K308W: SMP+SW M3x8L
- Recommended torque 3 Kg fcm

Figure 4 Installation Drawing





# FM05D200P DC FILTER MODULE

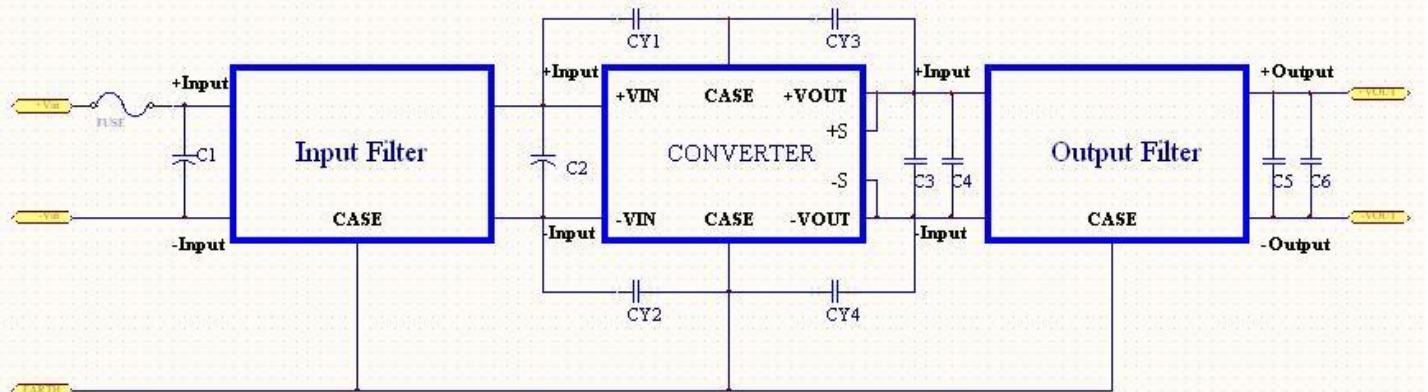
## Application Note V10 November 2019

### 7. Connection for Standard Use

#### 7.1 Recommended Schematic

EMI performance is affected by a variety of external factors, such as PCB construction, circuit layout, and more. Therefore, in some applications, components other than filters may be required to fully comply with the specified standards. For railway application, the FM30R080P output filter is required for output conducted noise to meet EN50155 : EN50121-3-2:2015.

FM05D200P have no internal fuse. In order to achieve maximum safety and system protection, always use an input line fuse. We recommended a 7A time delay fuse for all models.



Note:

CY1-CY4 Select the voltage rating to meet input-to-output isolation requirements.

C2 should be the recommended value indicated in the power module datasheet.

Note:

If the impedance of input line is high, Input capacitance must be more than above. Use more than two recommended capacitor above in parallel when ambient temperature becomes lower than -20 °C

#### 7.2 EMC Considerations

EMI Test standard: EN55032/EN55022/EN50121-3-2 Class A Conducted Emission

Test Condition: Input Voltage: Nominal, Output Load: Full Load

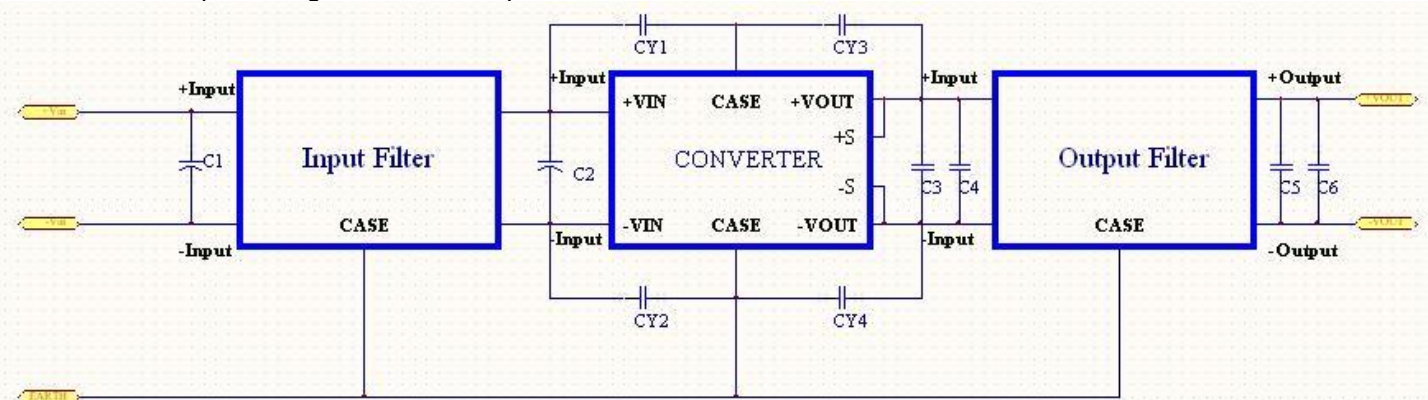


Figure1 Connection circuit for conducted EMI Class A testing

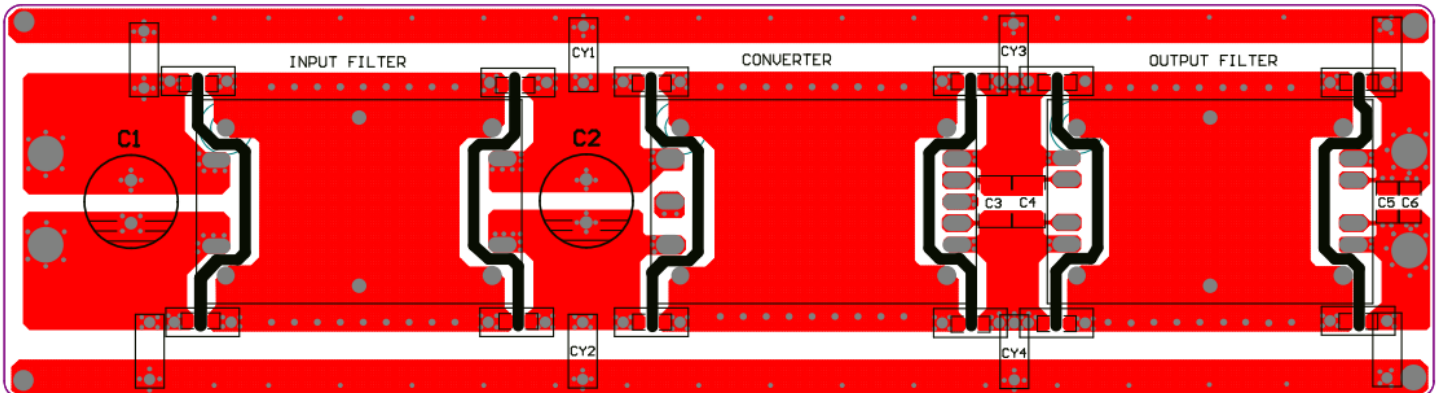


# FM05D200P DC FILTER MODULE

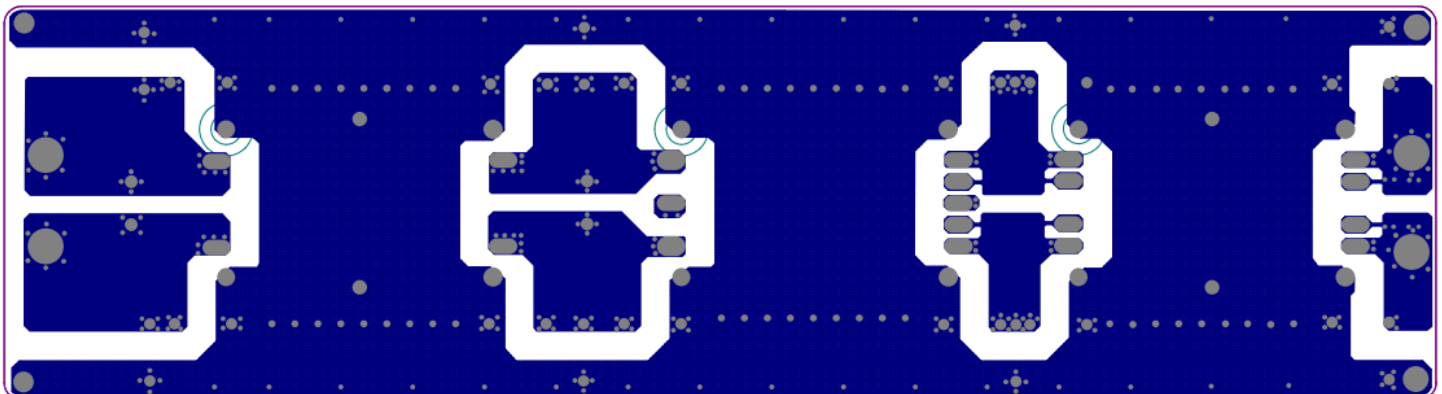
## Application Note V10 November 2019

Input Filter Module	DC-DC Converter Model No.	Output Filter Module	C1	C2	C3	C4	CY1	CY2	CY3	CY4
FM05D200P	CQB150W-110S3V3 CQB150W-110S05 CQB150W-110S15 CQB150W-110S48 CQB100W-110S05 CQB100W-110S15 CQB100W-110S48	FM30R080P	220uF	220uF	10uF	1uF	2200pF	2200pF	1000pF	1000pF
	CQB150W-110S12 CQB150W-110S24 CQB150W-110S28 CQB100W-110S12 CQB100W-110S24 CQB100W-110S28						1500pF	1500pF	680pF	680pF

Note: C1, C2 are CHEMICON 220uF/200V KXJ series aluminum capacitors,  
 C3, C4 are ceramic capacitor  
 C5, C6 are NC.  
 CY1, CY2, CY3, CY4 are TDK Y1 capacitors or equivalent.  
 Bead Core SN030 T2.8\*1.7\*1.2 SM For CY1,CY2.



EMI test board top side



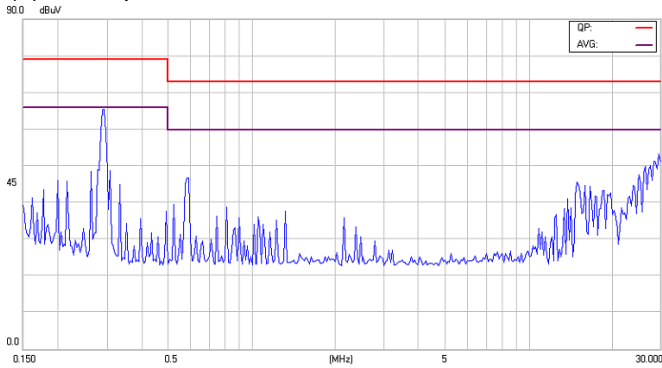
EMI test board bottom side



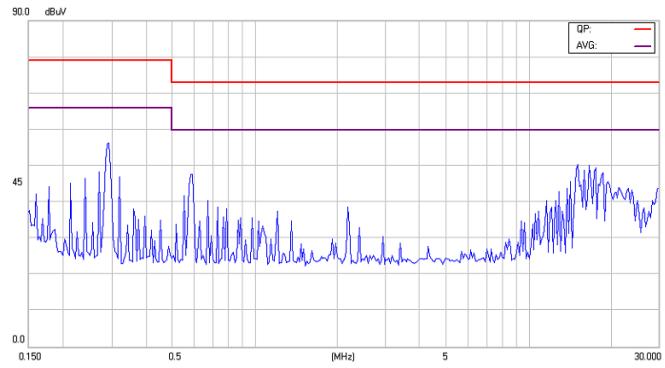
# FM05D200P DC FILTER MODULE

## Application Note V10 November 2019

(1) EMI input conducted noise to meet EN55011/EN55032/EN50155 :

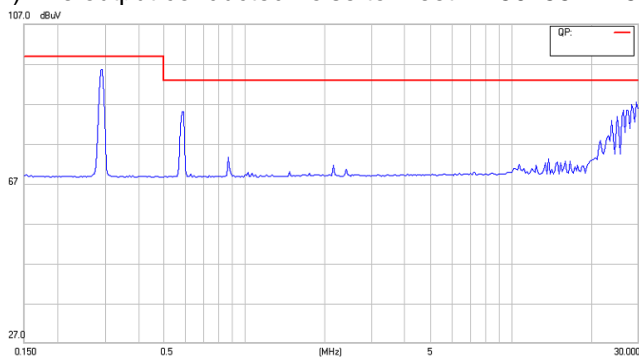


Conducted EN55032 Class A of CQB150W-110S24 Line

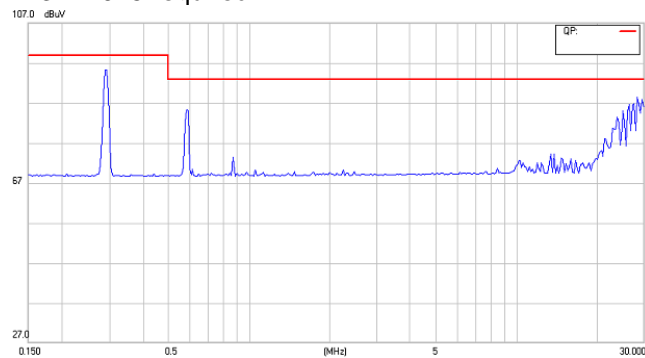


Conducted EN55032 Class A of CQB150W-110S24 Nature

(2) The output conducted noise to meet EN50155: EN50121-3-2:2015 required:

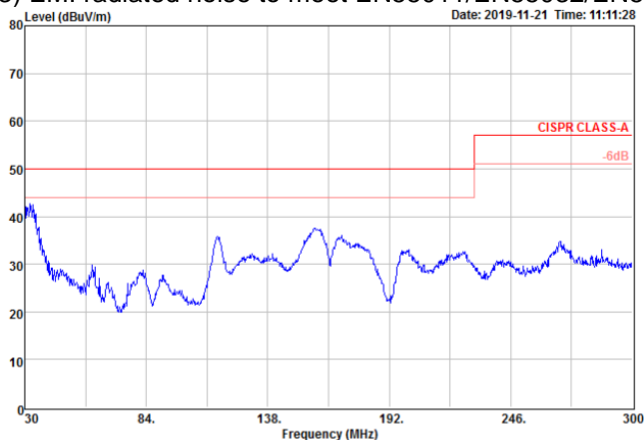


CQB150W-110S24 Positive

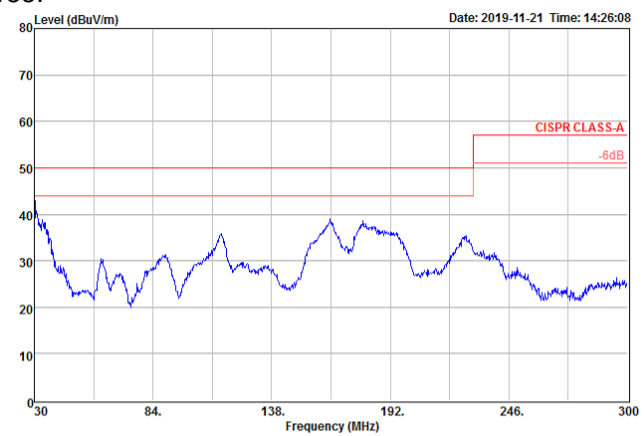


CQB150W-110S24 Negative

(3) EMI radiated noise to meet EN55011/EN55032/EN50155:



Radiated EN55032 Class A of CQB150W-110S24 Vertical



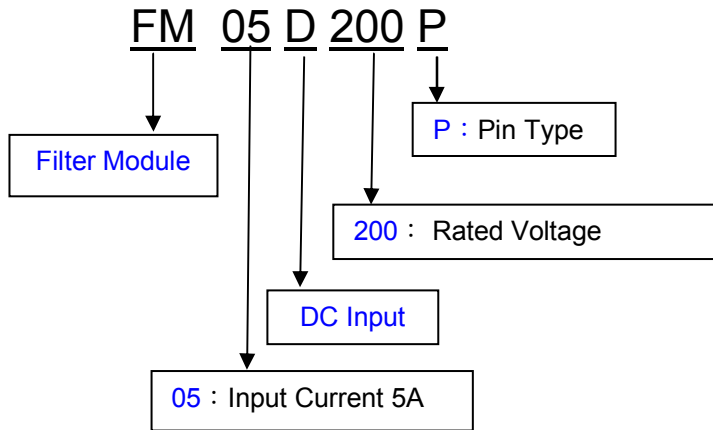
Radiated EN55032 Class A of CQB150W-110S24 Horizontal



# FM05D200P DC FILTER MODULE

## Application Note V10 November 2019

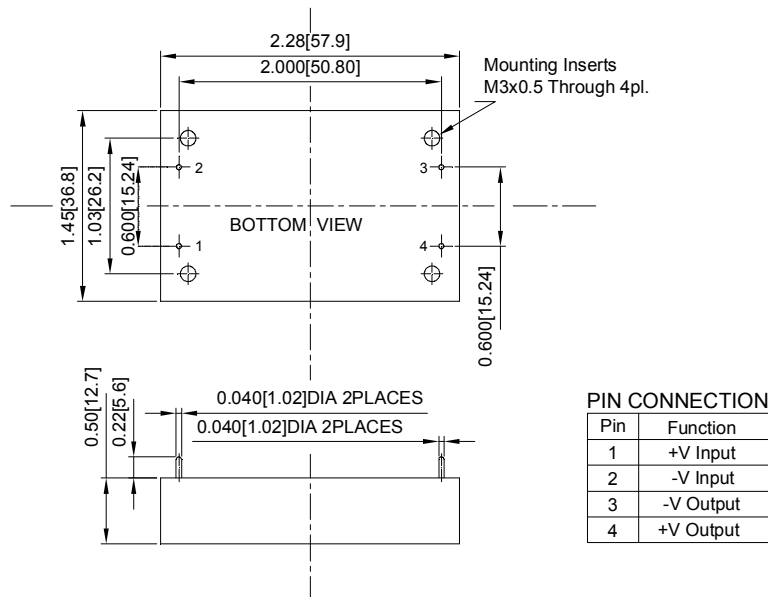
### 8. Part Number



### 9. Mechanical Outline Diagrams

#### 9.1 FM05D200P Mechanical Outline Diagrams

All Dimensions In Inches (mm)  
 Tolerance Inches: X.XX= ±0.02 , X.XXX= ±0.010  
 Millimeters: X.X= ±0.5 , X.XX=±0.25



### CINCON ELECTRONICS CO., LTD.

#### Headquarters:

14F, No.306, Sec.4, Hsin Yi Rd.  
 Taipei, Taiwan  
 Tel: 886-2-27086210  
 Fax: 886-2-27029852  
 E-mail: [support@cincon.com.tw](mailto:support@cincon.com.tw)  
 Web Site: <http://www.cincon.com>

#### Factory:

No. 8-1, Fu Kung Rd.  
 Fu Hsing Industrial Park  
 Fu Hsing Hsiang,  
 Chang Hua Hsien, Taiwan  
 Tel: 886-4-7690261  
 Fax: 886-4-7698031

#### Cincon North America:

1655 Mesa Verde Ave. Ste 180  
 Ventura, CA 93003  
 Tel: 805-639-3350  
 Fax: 805-639-4101  
 E-mail: [info@cincon.com](mailto:info@cincon.com)