



33-800WATTS BRICK
DC-DC CONVERTER
Packaging Information

Contents

1. Package Table 2

1. Package Table 3

2. Package Quarter Brick 4

 2-1. 2.28"x1.45"x0.50" 4

 2-2. 2.28"x2.20"x0.50" 4

3. Package Half Brick 5

4. Package Full Brick 5

5. Package 2"x1" 6

6. Package 2"x1.6" 6

7. Package 2.28"x2.40" 7

8. Package 4.41"x1.57" 7

9. Package 4.61"x2.54" 8

10. Package 4.60"x2.40" and 4.60"x2.49" 9

11. Package 6.50"x3.00" and 6.50"x3.09" 9

12. Package 9.45"x4.33" 10

13. Package 4.60"x2.40" 10

14. Package 6.50"x3.00" 11

15. Package 9.45"x3.61" 11

16. Package 4.60"x3.00" 12

17. Package 6.54"x3.80" 12

18. Package 6.98"x3.80" 13

19. Package 9.49"x5.13" 13

20. Package Quarter Brick 14

 20-1. 2.45"x1.05"x0.50" 14

 20-2. 2.45"x1.45"x0.50" 14

CINCON Electronics Co. Ltd.
Add: 14F, No. 306, Sec.4, Hsin Yi Rd., Taipei, Taiwan
Tel: 886-2-27086210
Fax: 886-2-27029852
E-mail: sales@cincon.com.tw
Web: www.cincon.com



33-800WATTS BRICK
DC-DC CONVERTER
Packaging Information

1. Package Table

Package	Product Series
2.28"x1.45"x0.50" (Quarter Brick)	CQB Series, CQE50W, FM30R080P, FM05D200P
2.28"x2.20"x0.50" (Quarter Brick-F)	CQB75-300SXX-F Series
2.28"x2.40"x0.50" (Half Brick)	CHB Series, CHE100W
2.28"x2.40"x0.52" (Half Brick)	
4.60"x2.40"x0.50" (Full Brick)	CFB Series
2"x1" (EMI Filter)	FM10-100
2"x1.6" (EMI Filter)	FM20-100
2.28"x2.40" (EMI Filter)	FM10D200P
4.41"x1.57" (Chassis Mount/DIN Rail)	CQE50W-CM/DIN, CQB75W-CM/DIN, CQB100W-CM/DIN CQB100-110S-CM/DIN, CQB150W-CM/DIN, CQB150W-110S-CM/DIN
4.61"x2.54" (Chassis Mount/DIN Rail)	CHB50W-CM/DIN, CHB75W-CM/DIN, CHE75W-CM/DIN CHB100W-CM/DIN, CHE100W-CM/DIN
4.60"x2.40" (CMFC Chassis Mount) 4.60"x2.49" (CMFD Chassis Mount)	CQB Series
6.50"x3.00" (CMFC Chassis Mount) 6.50"x3.09" (CMFD Chassis Mount)	CHB Series
9.45"x4.33" (CMFD Chassis Mount)	CFB Series
4.60"x2.40" (EVB-CQB Series)	EVB-CQB150(100)W-110S, EVB-CQB150-300S, EVB-CQB75-300S, EVB-CQB75(50)W8-36S, EVB-CQB50W12-72S
6.50"x3.00" (EVB-CHB Series)	EVB-CHB300-300S, EVB-CHB300(200)W-110S
9.45"x3.61" (EVB-CFB Series)	EVB-CFB750-300S
4.60"x3.00" (CMFD Chassis Mount with Heat Sink/DIN Rail with Heat Sink)	CQB-CMFD+HS(HD) Series



33-800WATTS BRICK
DC-DC CONVERTER
Packaging Information

1. Package Table

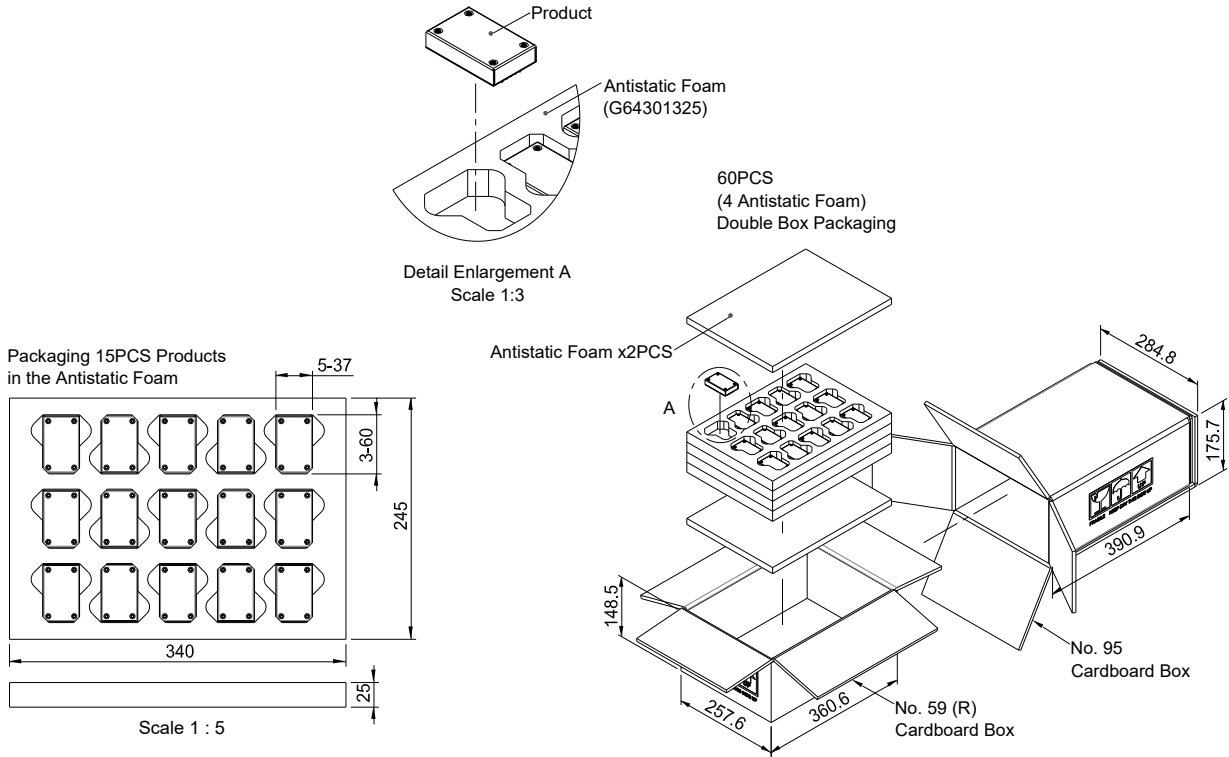
Package	Product Series
6.54"x3.80" (CMFD Chassis Mount with Heat Sink/DIN Rail with Heat Sink)	CHB-CMFD+HS(HD) Series
6.98"x3.80" (CMFD Chassis Mount with Heat Sink/DIN Rail with Heat Sink)	CHB200W12-CMFD+HS(HD) Series
9.49"x5.13" (CMFD Chassis Mount with Heat Sink/DIN Rail with Heat Sink)	FB-CMFD+HS(HD) Series
2.45"x1.05"x0.50" (Eighth Brick)	CEB Series
2.45"x1.45"x0.50" (Eighth Brick-F)	CEB-F Series



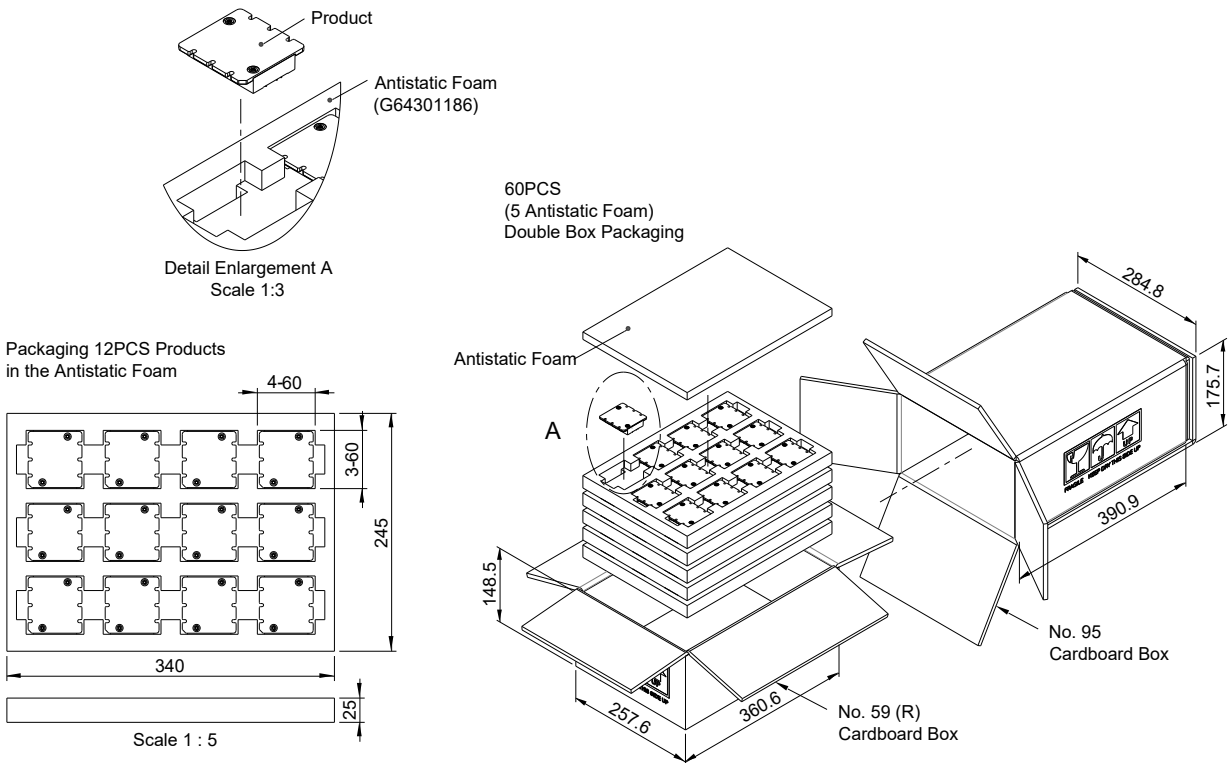
33-800WATTS BRICK DC-DC CONVERTER Packaging Information

2. Package Quarter Brick

2-1. 2.28"x1.45"x0.50"



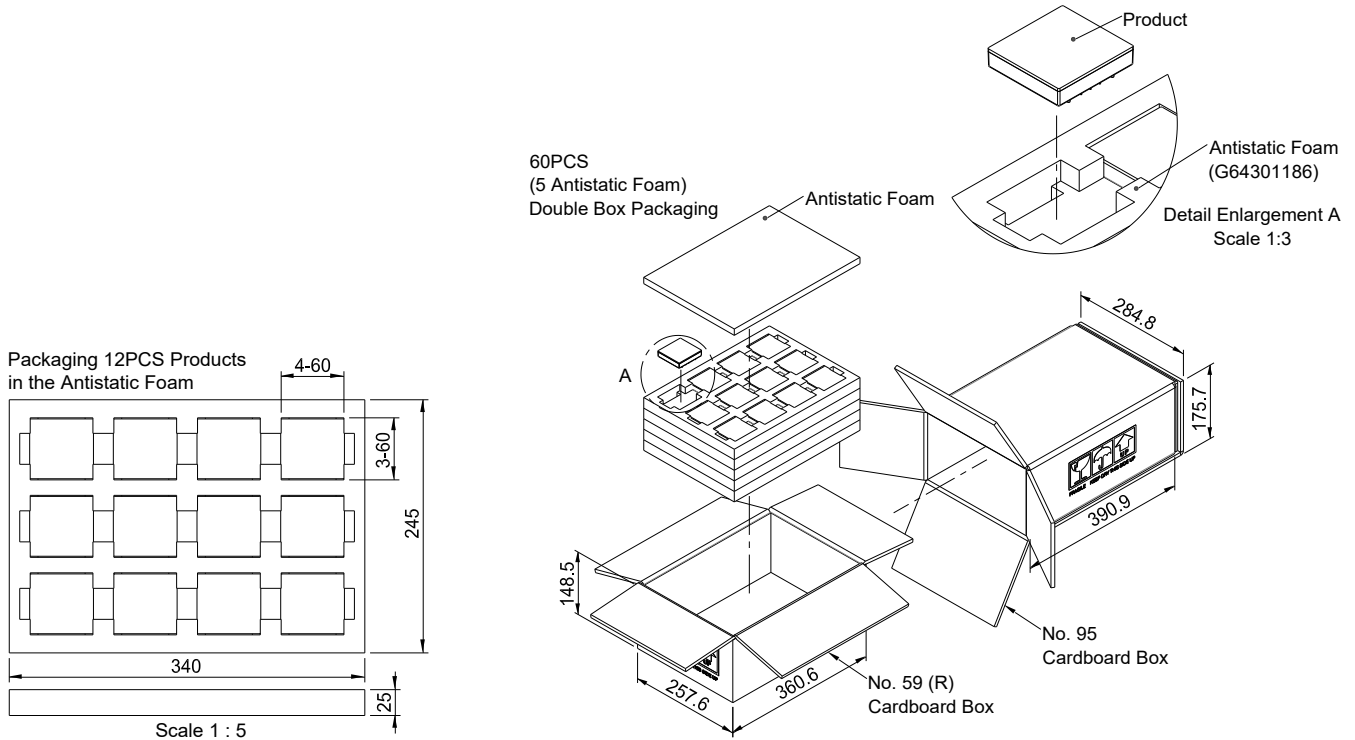
2-2. 2.28"x2.20"x0.50"



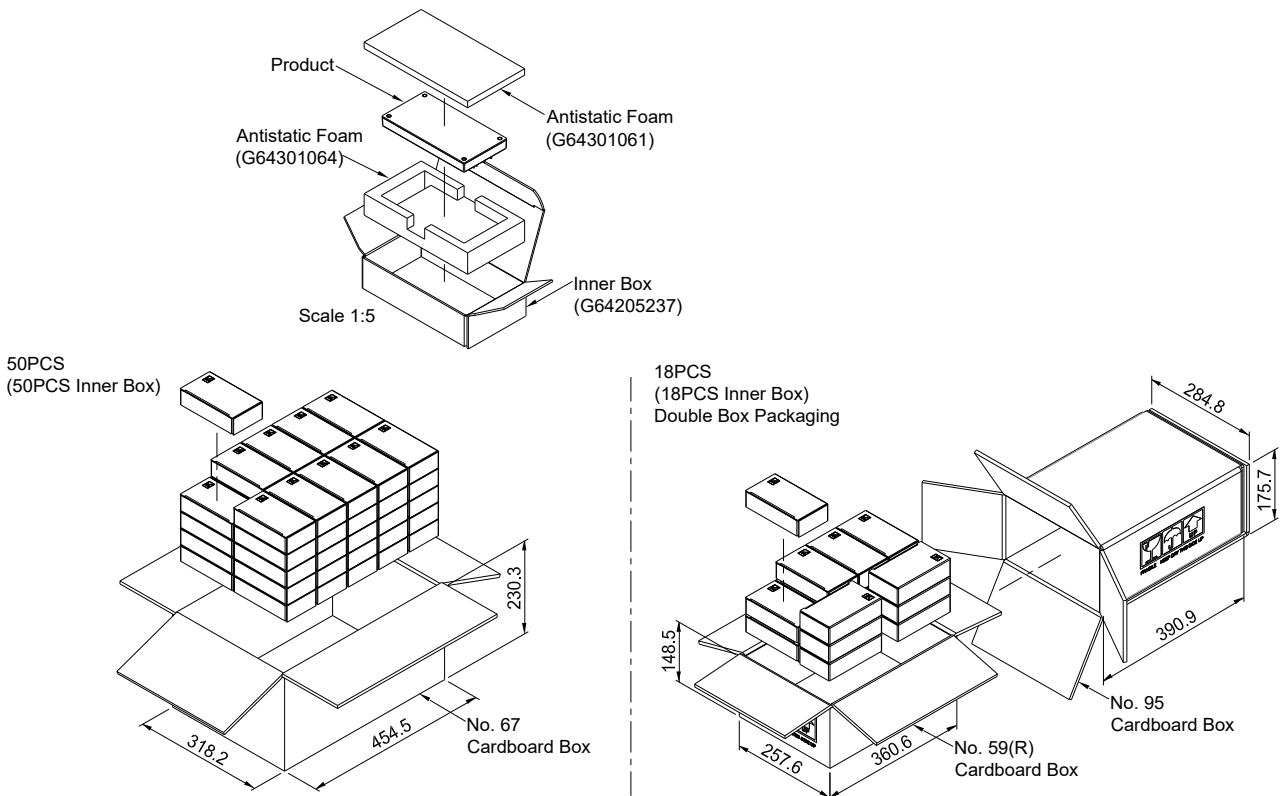


33-800WATTS BRICK DC-DC CONVERTER Packaging Information

3. Package Half Brick



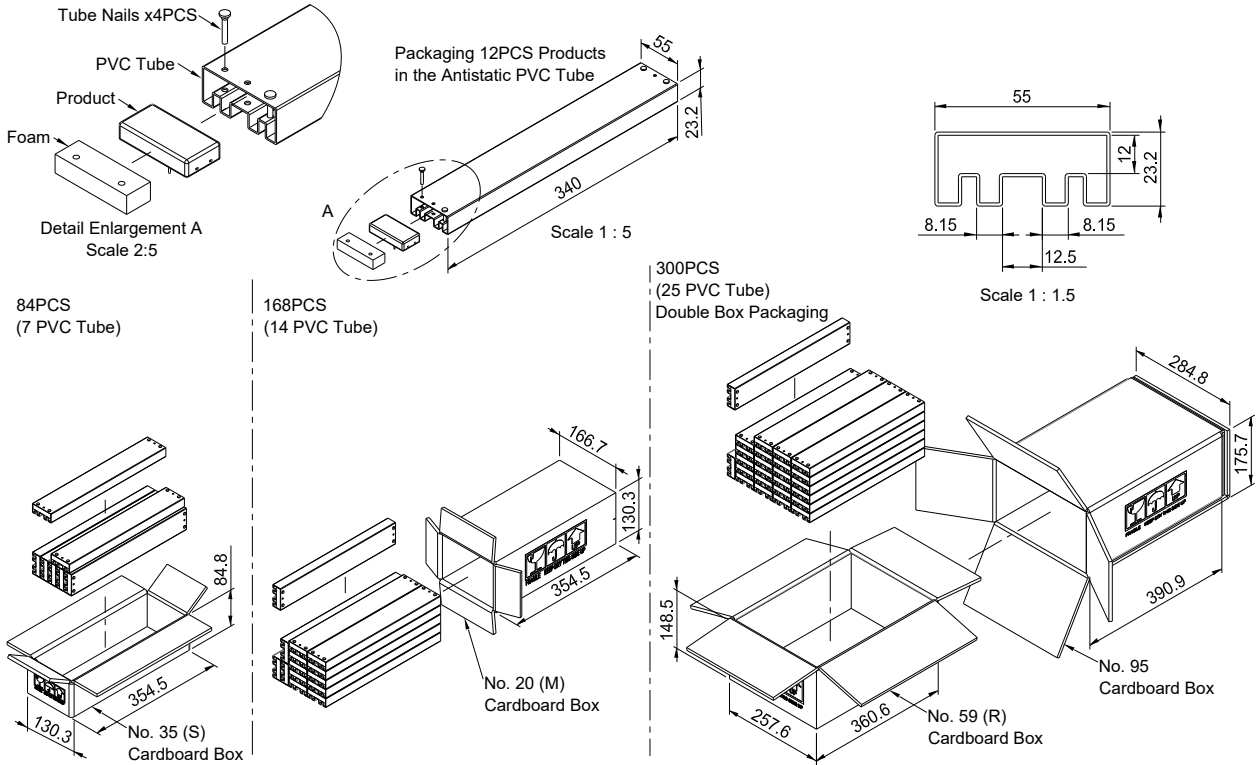
4. Package Full Brick



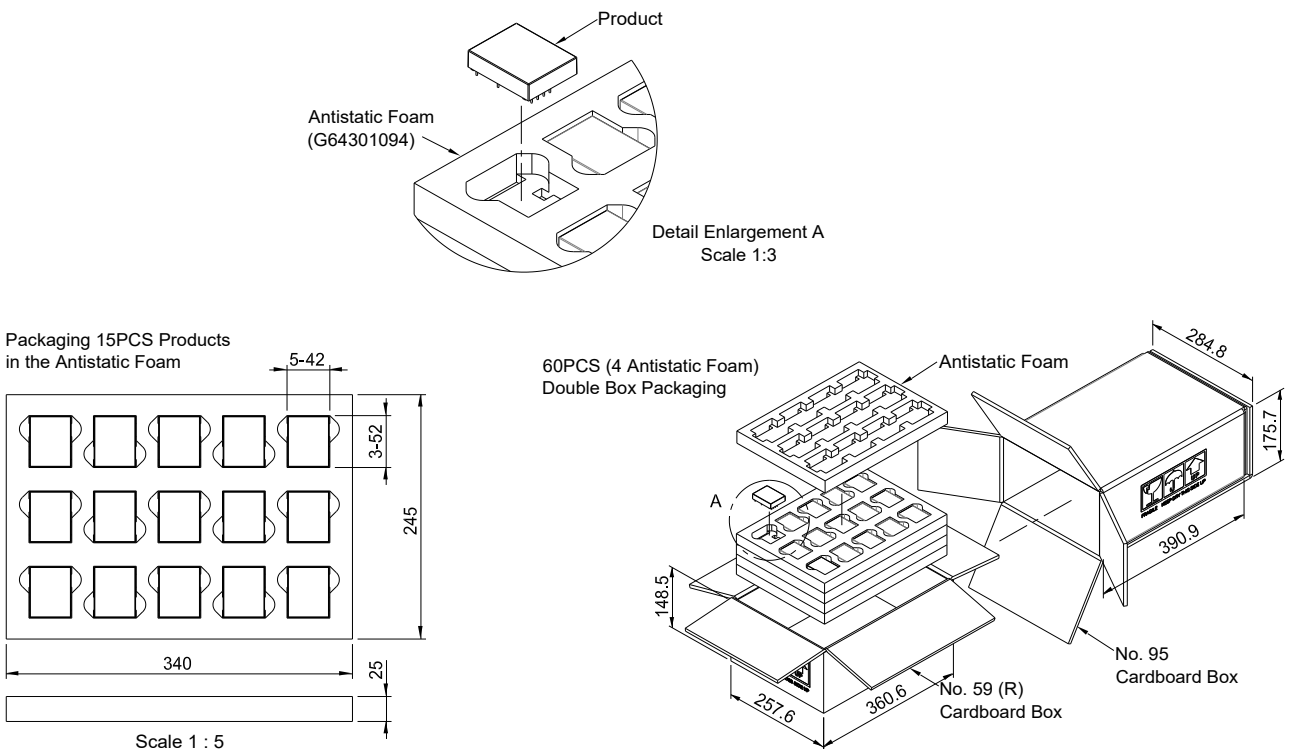


33-800WATTS BRICK DC-DC CONVERTER Packaging Information

5. Package 2"x1"



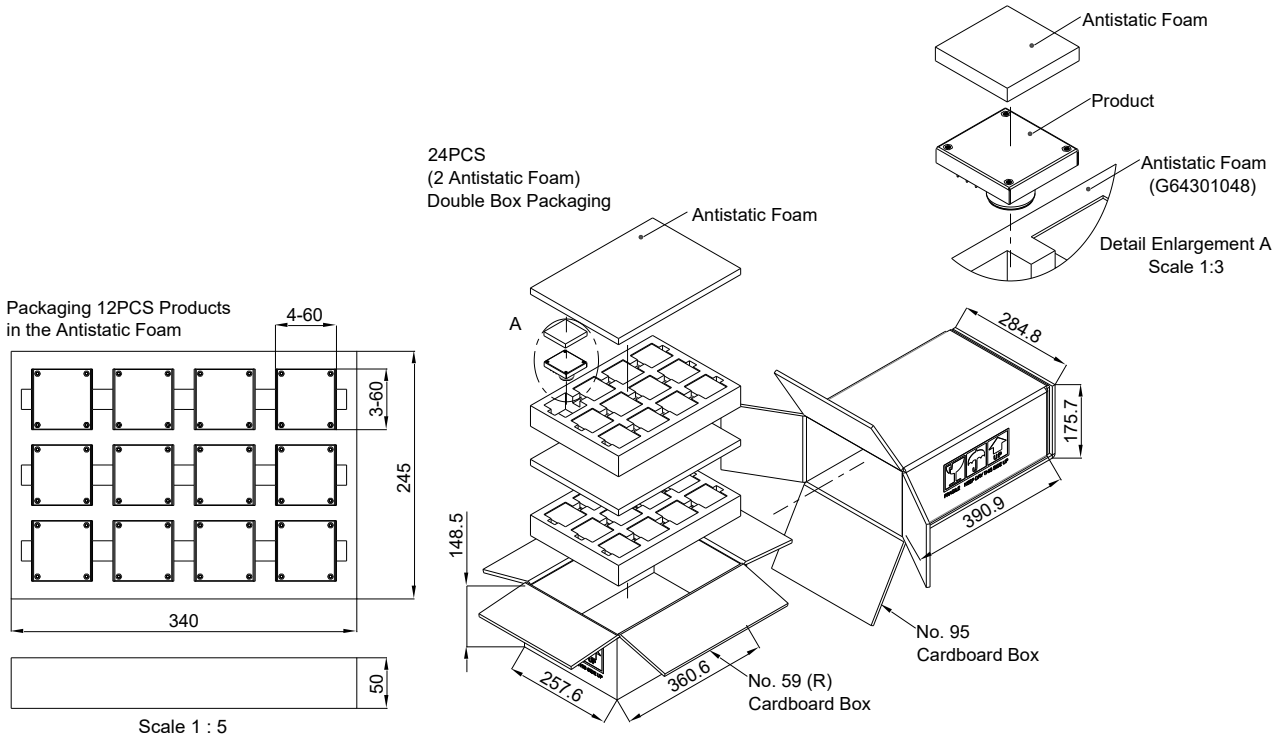
6. Package 2"x1.6"



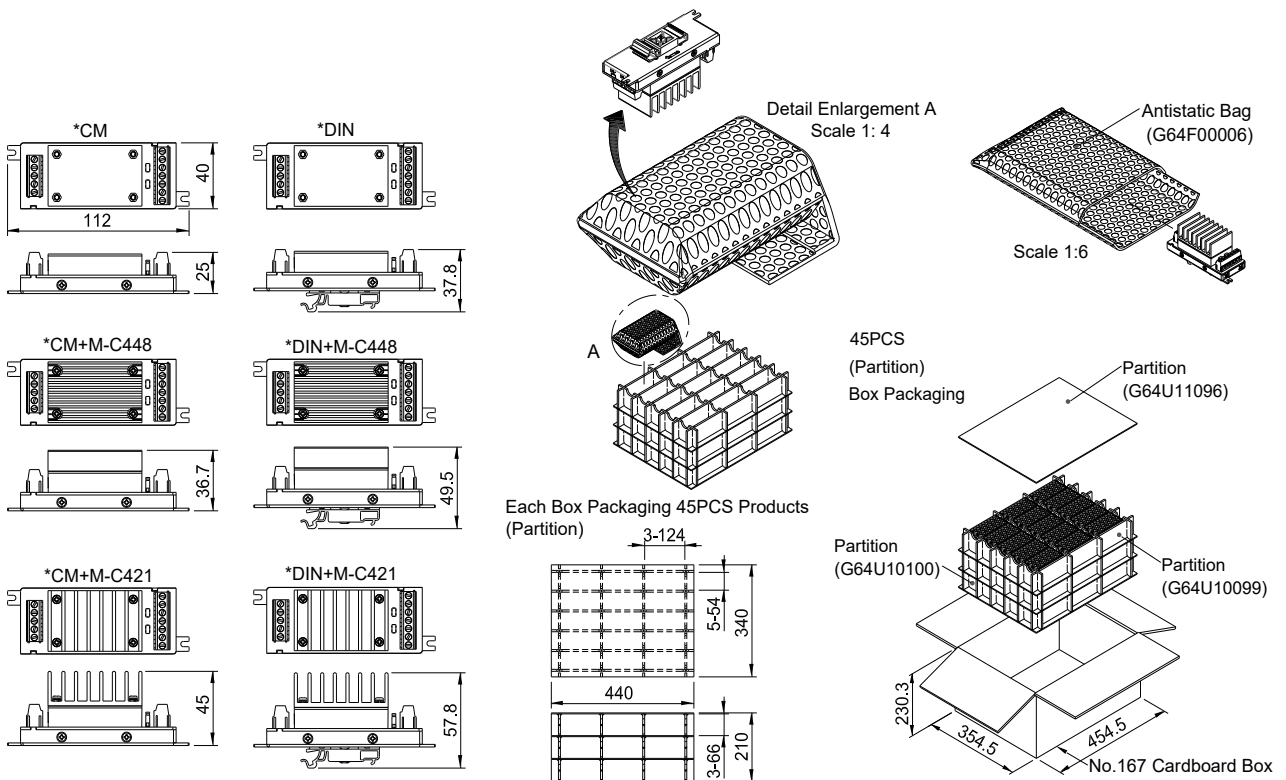


33-800WATTS BRICK DC-DC CONVERTER Packaging Information

7. Package 2.28"x2.40"



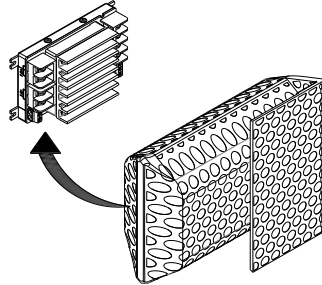
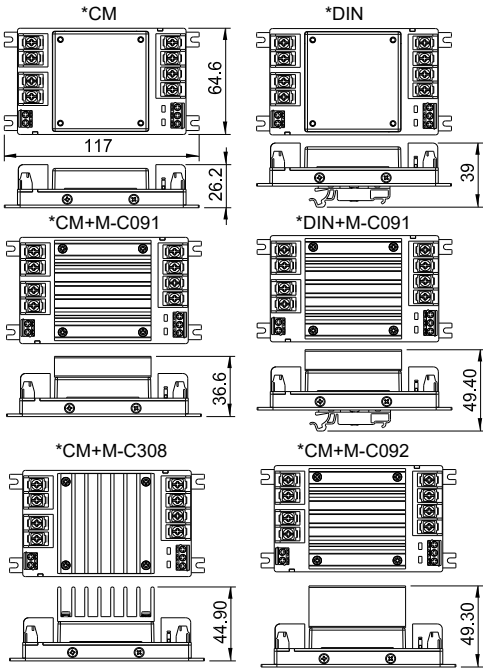
8. Package 4.41"x1.57"



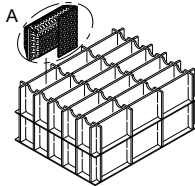
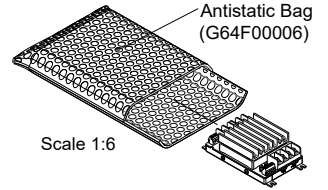


33-800WATTS BRICK DC-DC CONVERTER Packaging Information

9. Package 4.61"x2.54"

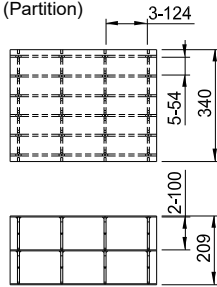


Detail Enlargement A
Scale 1: 4

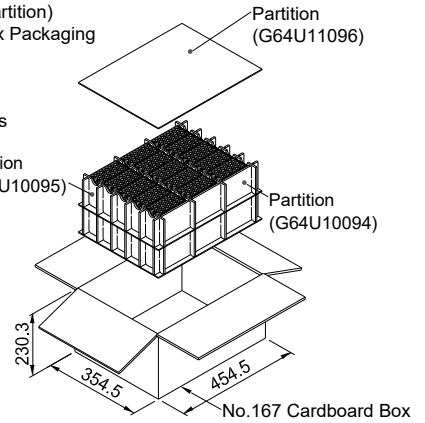


30PCS
(Partition)
Box Packaging

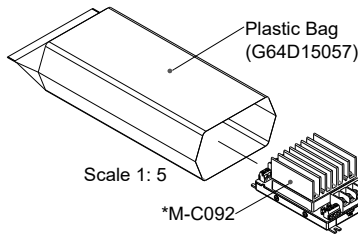
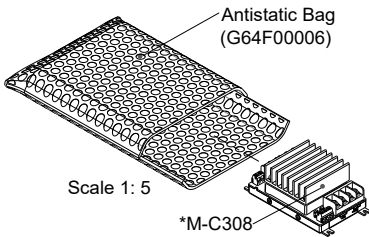
Each Box Packaging 30PCS Products
(Partition)



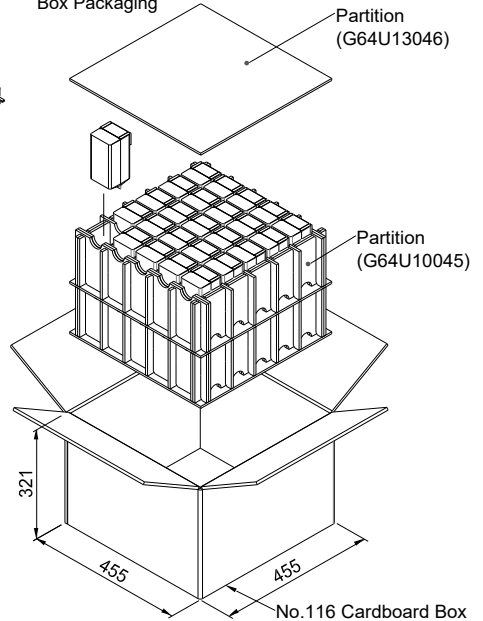
Partition
(G64U10095)



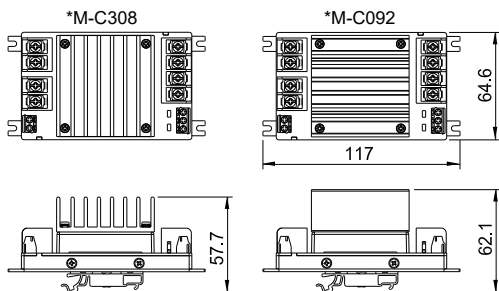
No.167 Cardboard Box



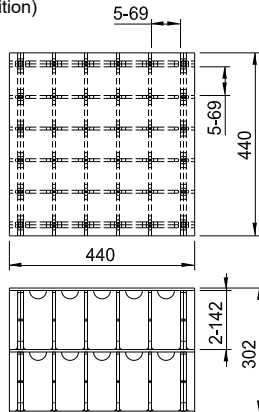
50PCS
(Partition)
Box Packaging



No.116 Cardboard Box



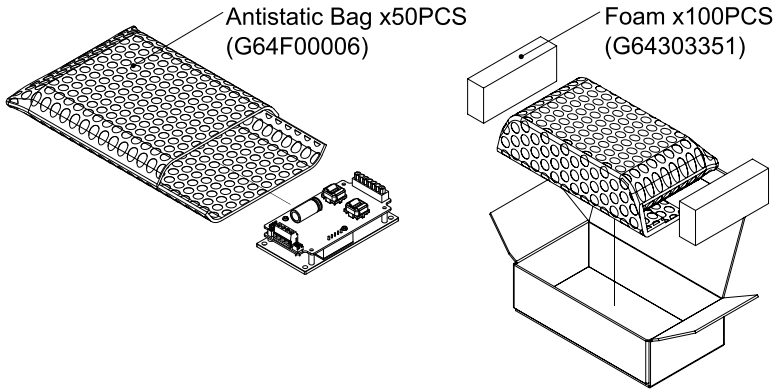
Each Box Packaging 50PCS Products
(Partition)



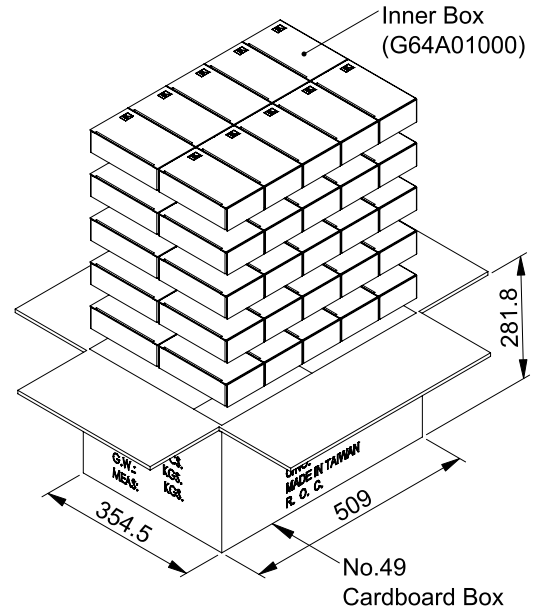
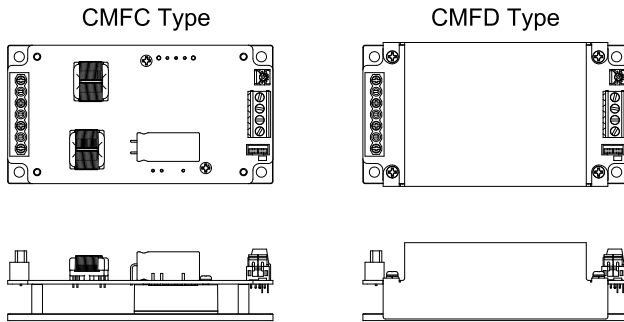


33-800WATTS BRICK DC-DC CONVERTER Packaging Information

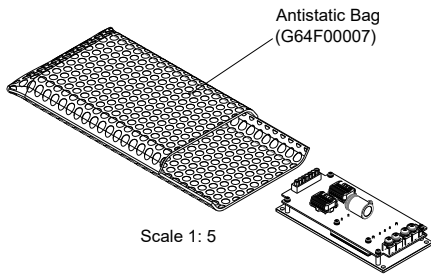
10. Package 4.60"x2.40" and 4.60"x2.49"



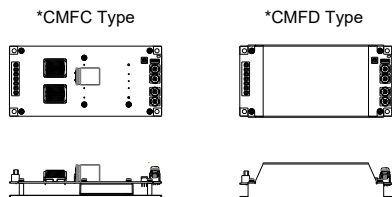
50PCS
(50PCS Inner Box)
Box Packaging



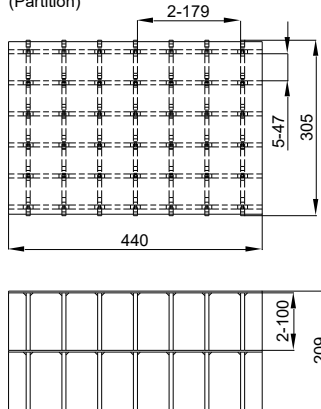
11. Package 6.50"x3.00" and 6.50"x3.09"



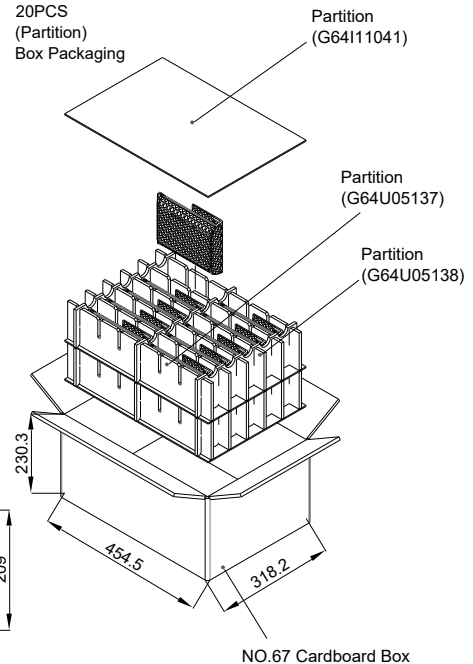
20PCS
(Partition)
Box Packaging



Each Box Packaging 20PCS Products
(Partition)



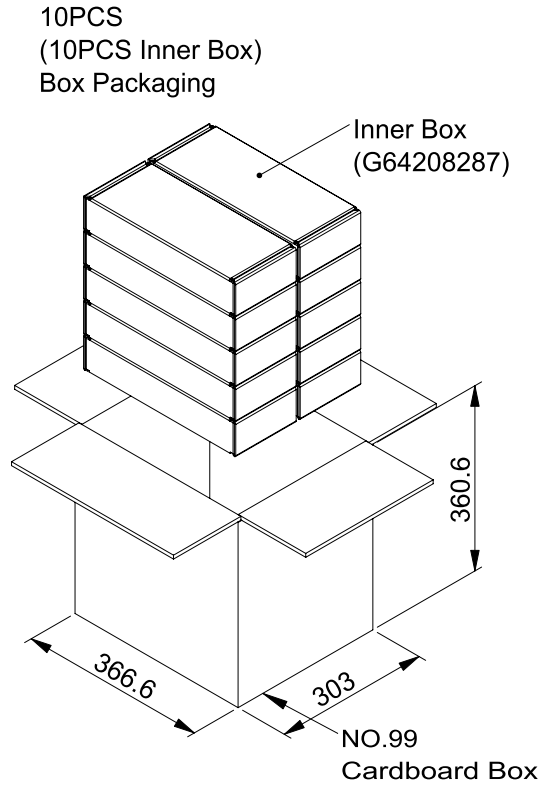
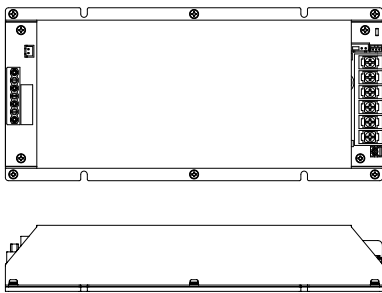
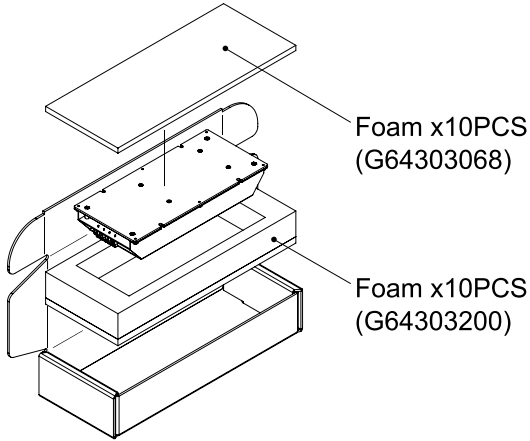
Scale 1: 8



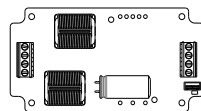
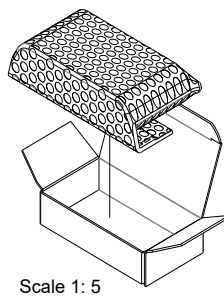
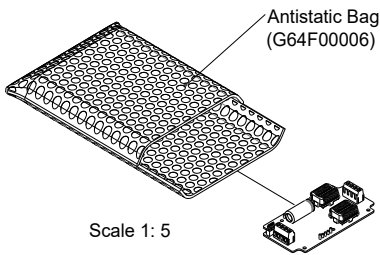


33-800WATTS BRICK DC-DC CONVERTER Packaging Information

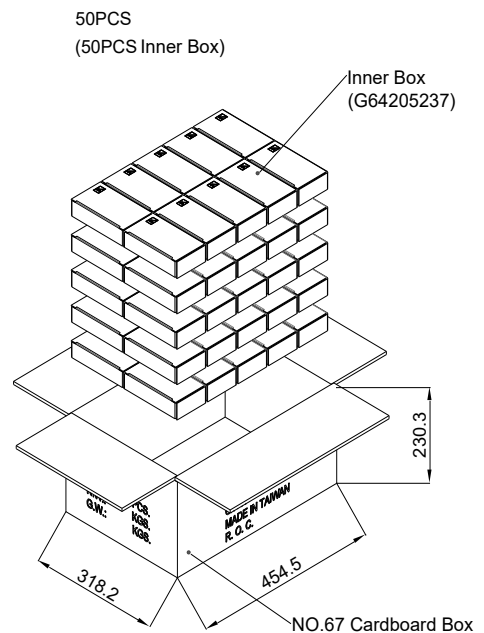
12. Package 9.45"x4.33"



13. Package 4.60"x2.40"



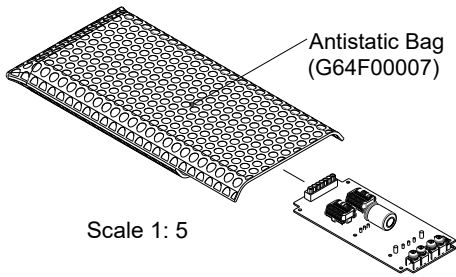
Scale 1: 3



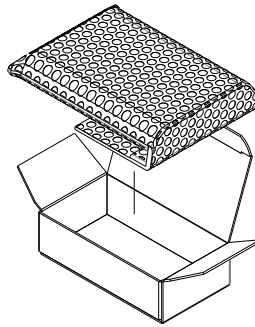


33-800WATTS BRICK DC-DC CONVERTER Packaging Information

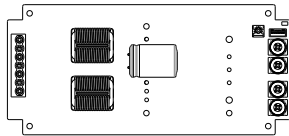
14. Package 6.50"x3.00"



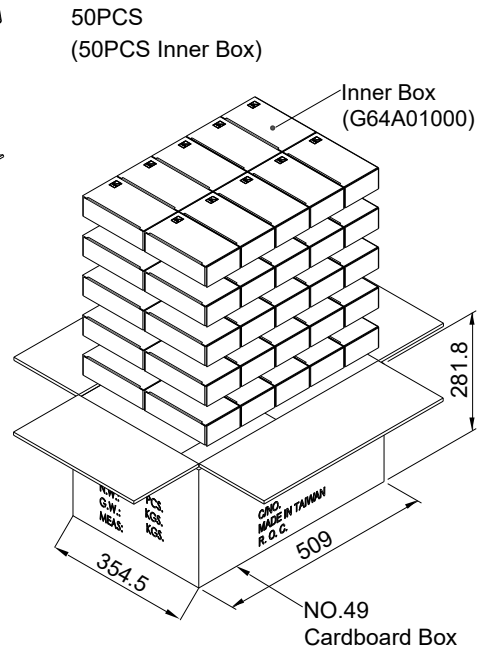
Scale 1: 5



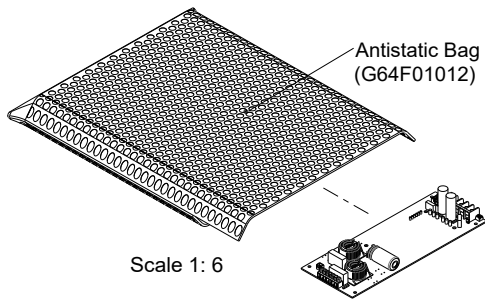
Scale 1: 5



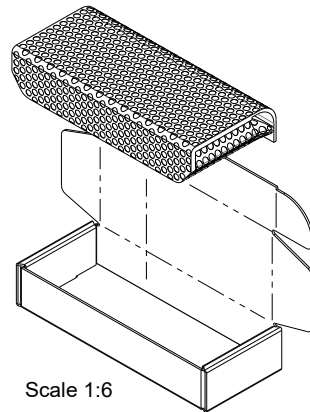
Scale 1: 3



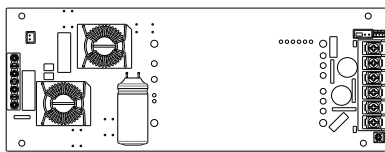
15. Package 9.45"x3.61"



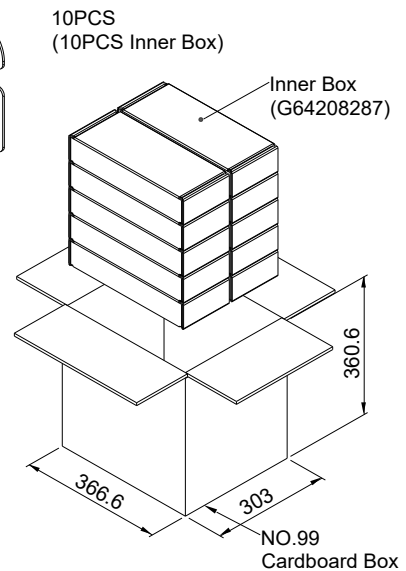
Scale 1: 6



Scale 1:6



Scale 1: 3

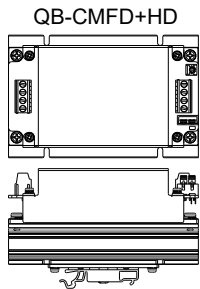
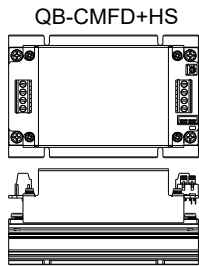
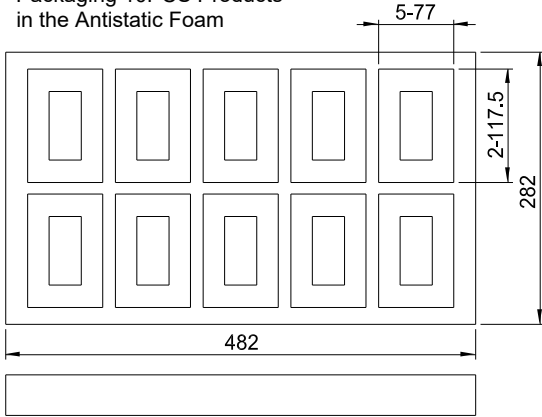




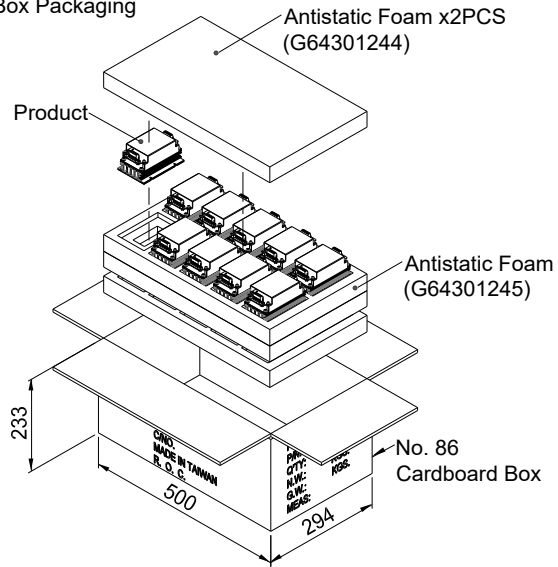
33-800WATTS BRICK DC-DC CONVERTER Packaging Information

16. Package 4.60"x3.00"

Packaging 10PCS Products
in the Antistatic Foam

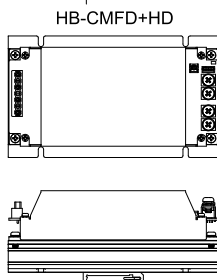
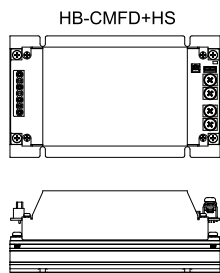
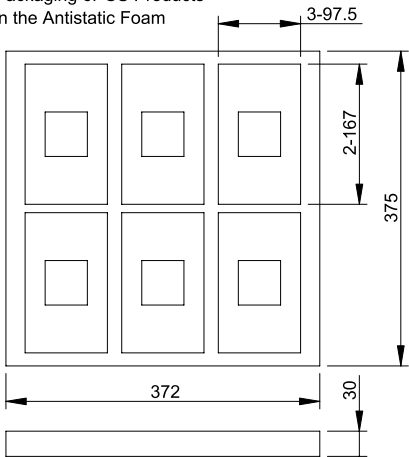


20PCS
(2PCS Antistatic Foam)
Box Packaging

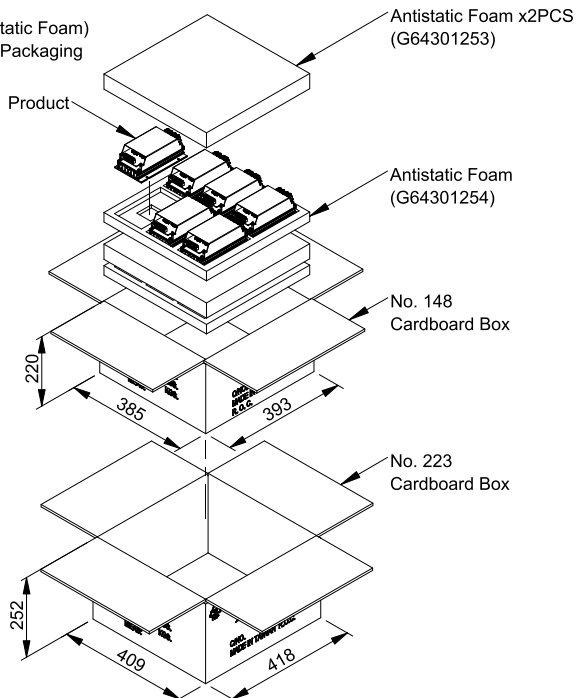


17. Package 6.54"x3.80"

Packaging 6PCS Products
in the Antistatic Foam



12PCS
(2PCS Antistatic Foam)
Double Box Packaging

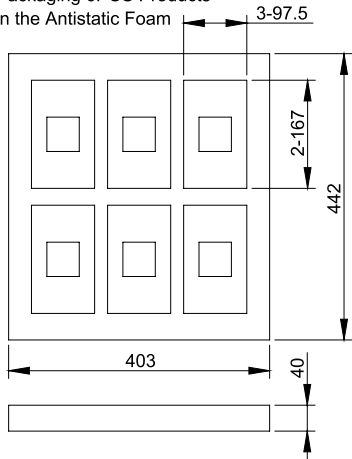




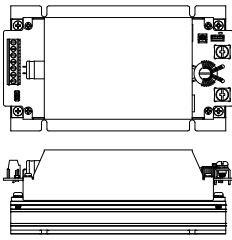
33-800WATTS BRICK DC-DC CONVERTER Packaging Information

18. Package 6.98"x3.80"

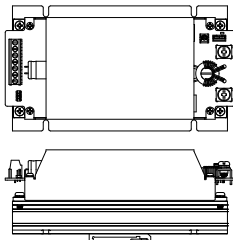
Packaging 6PCS Products
in the Antistatic Foam



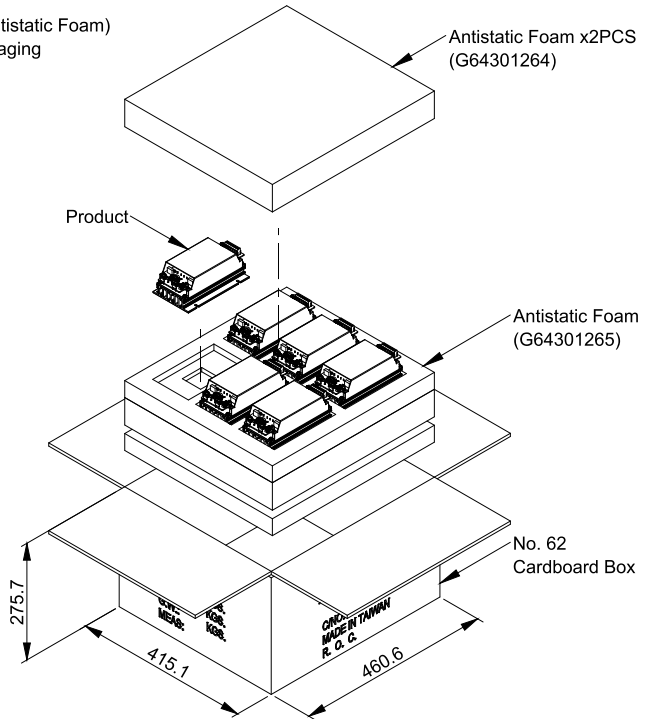
CHB200W12-72S-
CMFD+HS



CHB200W12-72S-
CMFD+HD

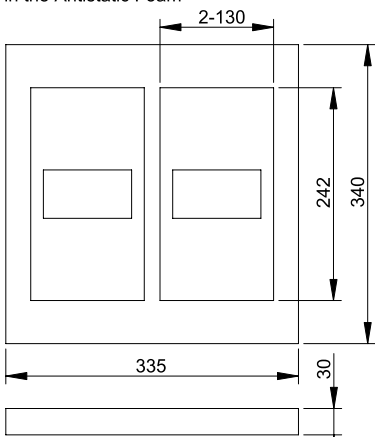


12PCS
(2PCS Antistatic Foam)
Box Packaging

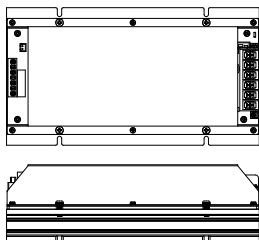


19. Package 9.49"x5.13"

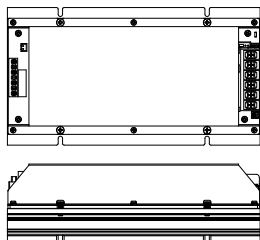
Packaging 2PCS Products
in the Antistatic Foam



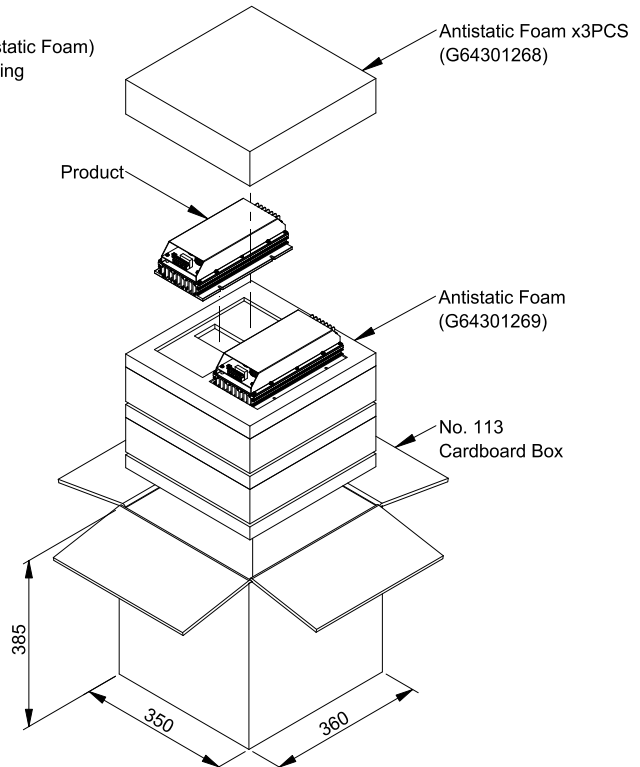
FB-CMFD+HS



FB-CMFD+HD



6PCS
(3PCS Antistatic Foam)
Box Packaging

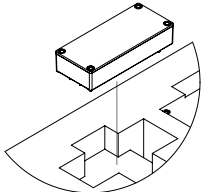




33-800WATTS BRICK DC-DC CONVERTER Packaging Information

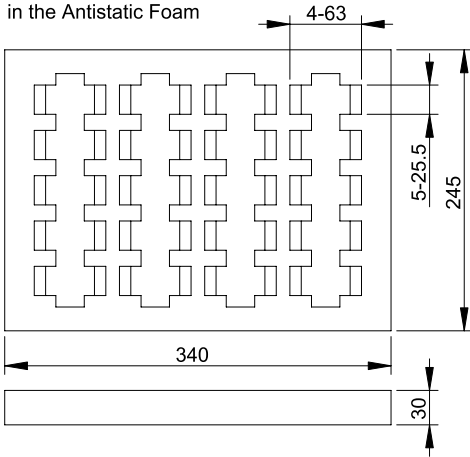
20. Package Quarter Brick

20-1. 2.45"x1.05"x0.50"

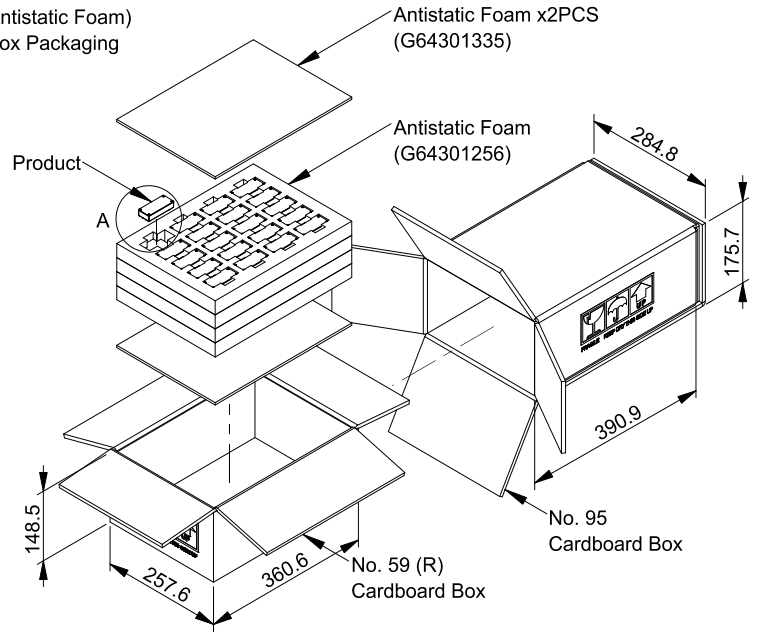


Detail Enlargement A

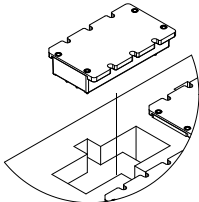
Packaging 20PCS Products
in the Antistatic Foam



80PCS
(4 PCS Antistatic Foam)
Double Box Packaging

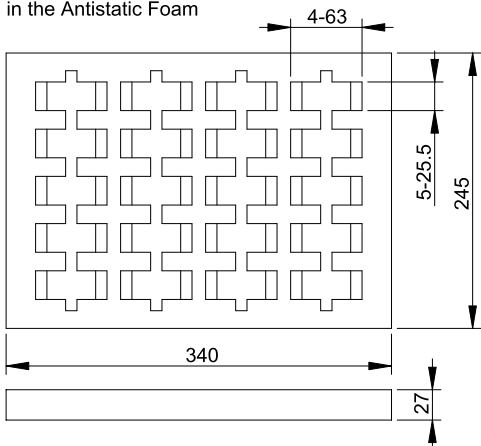


20-2. 2.45"x1.45"x0.50"



Detail Enlargement A

Packaging 20PCS Products
in the Antistatic Foam



80PCS
(4 PCS Antistatic Foam)
Double Box Packaging

