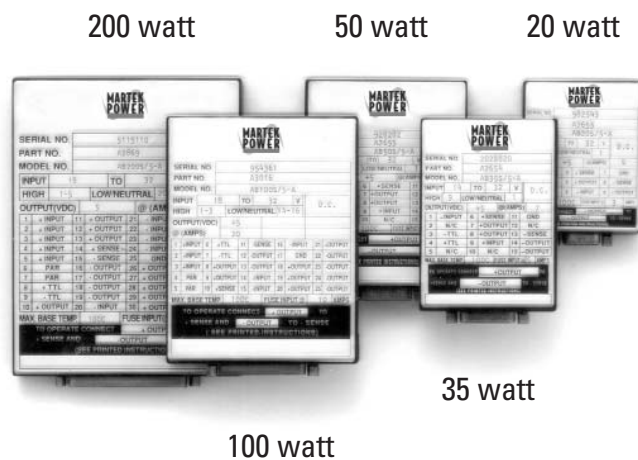




Series AB

DC/DC Converters

NOTE: THE AB SERIES IS NOT RECOMMENDED FOR NEW DESIGNS DUE TO PARTS OBSOLESCENCE. WE RECOMMEND THE RB SERIES AS A 100% COMPATIBLE DIRECT REPLACEMENT.



A comprehensive line of full military DC-DC converters ideally suited for ground mobile systems or any distributed power network. The AB models have been qualified for a wide range of military specifications including environmental and EMI conformance.



DC/DC

- Current Mode Control
- Standard Current Limiting
- Wireless Submodular Construction for High Reliability
- NAVAT Guidelines

Specifications

Input:

20 - 50 watts units: 14 to 32 Vdc.
100 and 200 watt units: 18 to 32 Vdc.

Efficiency:

65% minimum. Typically 70 - 80% (nominal input, full load, room ambient). For dual 5 Vdc output modules efficiency will be 50 - 60% typical.

Line Regulation:

10 mV or 0.1%, whichever is greater, over entire input range with load held constant.

Load Regulation:

10 mV or 0.1%, whichever is greater from no load to full load with line held constant.

PARD (Noise and Ripple):

25 mV rms, 100 mV P-P at 25 MHz bandwidth, measured over temperature range.

Isolation Voltage:

500 Vdc, input to output; 400 Vdc, input to case; 100 Vdc, output to case.

Insulation Resistance:

50 megohms between input and output, input and case, output and case, when measured at 50 Vdc.

Temperature Range:

Operating: -55°C to +100°C maximum, at center of the baseplate.
Storage: -55°C to +125°C, ambient.

Parallelability:

The 100 watt and 200 watt units allow for multiple unit current sharing without the need for external components, via a single pin connection on each unit.

Temperature Coefficient:

0.01%/°C maximum over entire temperature range.

Input Transient Protection:

Unit will provide normal regulated output and withstand 50 Vdc for 0.1 second, in accordance with MIL-STD-704D. Compliance to MIL-STD-704A (80 Vdc for 0.1 second) can be achieved with optional transient suppressor. Consult factory for details.

Load Transient Recovery:

Output voltage returns to regulation limits with 0.5 ms after 50% change in load current.

Load Transient Overshoot:

0.5 V from nominal voltage set point.

Short Circuit Protection:

Completely protected against a short circuit of any duration. Output automatically restores to normal when overload is removed.

Remote Sensing:

Compensates for up to 0.5 volt drop in leads. Sense pins must be tied local (at connector) or remote (at load) for proper operation.

Remote Inhibit:

Provides for remote turn on/off with TTL logical signal. Application of TTL Signal (logic 1) will inhibit the outputs. 10 mA required current (@5 Vdc).

Electromagnetic Interference:

Units, when tested in accordance with MIL-STD-462, meet the majority of the requirements of MIL-STD-462C for conducted and radiated, emission and susceptibility, for Class A1, A2, and A3 equipment for input power leads. For further details regarding levels and extend of compliance on each class, or requirement, consult factory. Certified test reports available upon request.

Switching Frequency:

160 to 200 kHz fixed.

Reliability:

The Mean Time Between Failure (MTBF) is calculated per MIL-HDBK-217E at 50°C baseplate temperature with maximum operating input voltage and maximum rated output power. The MTBF for AB20S at ground benign environment is 446,000 hours. With the -ER option, MTBF was calculated to be 1,672,000 hours of ground benign. The standard AB200S MTBF at ground benign and naval sheltered is 294,500 and 58,000 respectively. Please consult factory for additional environments and models.

Environment:

Units meet MIL-STD-810C, altitude, shock, acceleration, vibration and MIL-S-901C high-impact shock requirements. For information, please consult factory. Certified test reports available upon request

Hook up:

Via D-Subminiature Connectors, M24308/24 type.

All specifications are typical @+25°C with nominal input voltage under full output load conditions, unless otherwise noted. Specifications subject to change without notice.



Options

-883 Screening

Unit undergoes environmental screening based upon the parameters outlined in MIL-STD-883 and NAVMAT 4855-1. The screening consists of :

- 1.) Stabilization Bake: +125°C for 24 hours per MIL-STD-883, M1008.2 Condition B.
- 2.) Temperature Cycling (non-operational): 10 cycles min., at -55°C to +125°C, 36 minute transition with 1 hour dwell at each temperature extreme. Procedure reference MIL-STD-883, M1010, Condition B and NAVMAT P4855-1.
- 3.) Long Term Operational Burn In: 160 hours of powered operation under load. Modules are continuously cycled from +85°C to thermal shut down point (+105°C) during the 160 hours.

Ruggedized

COTS readily available components are utilized. Contact factory for details.

Environmental Stress Screening

Environmental Stress Screening (ESS) including random vibration and thermal cycling (per the NAVMAT guidelines) is available. Consult factory for details.

Enhanced Reliability

ER Options provides increased reliability by using higher levels of military grade components (to order, add "-ER" after model number, i.e., AB200S/15-A-ER). (Not recommended for new designs.)

Single Output

Nominal Output Voltage	Output Current (Amps)	Weight' (oz.)	Weight' (Grams)	Model Number
5	4	7	200	AB20S/5-A
	7	9	255	AB35S/5-A
	10	12	325	AB50S/5-A
	20	18	510	AB100S/5-A
	40	26	720	AB200S/5-A
5.2	3.85	7	200	AB20S/5.2-A
	6.73	9	255	AB35S/5.2-A
	9.62	12	325	AB50S/5.2-A
	19.23	18	510	AB100S/5.2-A
	38.46	26	720	AB200S/5.2-A
12	1.66	7	200	AB20S/12-A
	2.91	9	255	AB35S/12-A
	4.16	12	325	AB50S/12-A
	8.33	18	510	AB100S/12-A
	16.67	26	720	AB200S/12-A

Nominal Output Voltage	Output Current (Amps)	Weight' (oz.)	Weight' (Grams)	Model Number
15	1.33	7	200	AB20S/15-A
	2.33	9	255	AB35S/15-A
	3.33	12	325	AB50S/15-A
	6.66	18	510	AB100S/15-A
	13.33	26	720	AB200S/15-A
24	0.83	7	200	AB20S/24-A
	1.45	9	255	AB35S/24-A
	2.08	12	325	AB50S/24-A
	4.16	18	510	AB100S/24-A
	8.33	26	720	AB200S/24-A
28	0.71	7	200	AB20S/28-A
	1.25	9	255	AB35S/28-A
	1.78	12	325	AB50S/28-A
	3.57	18	510	AB100S/28-A
	7.14	26	720	AB200S/28-A

Set Point Accuracy: 50 mV or 0.5%, whichever is greater

Dual Output*

Nominal Output Voltage	Output Current (Amps)	Weight' (oz.)	Weight' (Grams)	Model Number
±5 ²	1.5	9.25	260	AB35D/5-A
	2.1	11.75	330	AB50D/5-A
±12	1.46	9.25	260	AB35D/12-A
	2.08	11.75	330	AB50D/12-A
±15	1.17	9.25	260	AB35D/15-A
	1.67	11.75	330	AB50D/15-A

Set Point Accuracy: 50 mV or 0.5%, whichever is greater

* Each output is independent and isolated; outputs may be connected in a positive or negative configuration. Both outputs can be used as positive or negative. These also can be used in ± dual output configuration. Lastly these outputs can be tied in series for higher output voltages.

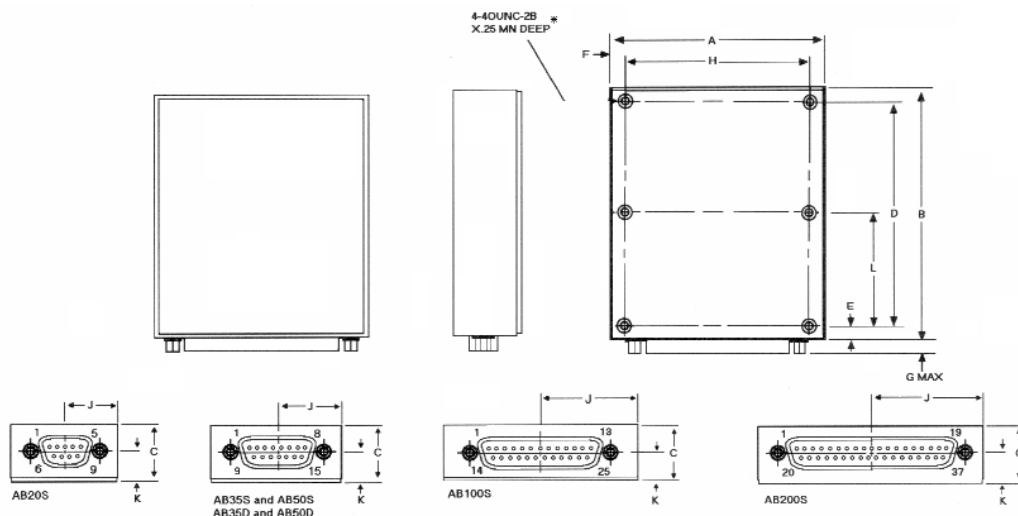
¹ Maximum weight

² Maximum output power is 21 watts or 10.5 watts per channel



Case Drawings

SERIES AB



Dimensions (in/mm)

Models	A	B	C	D	E	F	G	H	J	K	L
AB20S	2.20	2.80	.85	2.450	.18	.18	.25	1.850	1.10	.46	N/A
	55.9	71.1	21.6	62.13	4.6	4.6	6.4	46.99	27.9	11.7	N/A
AB35S	2.50	3.50	.85	3.100	.20	.20	.25	2.100	1.25	.46	N/A
AB35D	63.5	88.9	21.6	78.74	5.1	5.1	6.4	53.34	31.8	11.7	N/A
AB50S	3.00	3.85	.85	3.450	.20	.20	.25	2.600	1.50	.46	N/A
AB50D	76.2	97.8	21.6	87.63	5.1	5.1	6.4	66.04	38.1	11.7	N/A
AB100S	3.50	4.50	.85	4.100	.20	.20	.25	3.100	1.75	.46	N/A
	88.9	114.3	21.6	104.14	5.1	5.1	6.4	78.74	44.5	11.7	N/A
AB200S	4.25	5.50	.85	5.100	.20	.20	.25	3.850	2.13	.46	2.550
	108.0	139.7	21.6	129.54	5.1	5.1	6.4	97.79	54.1	11.7	64.77

Tolerances: inches - X.XXX = ±0.015
 X.XX = ±0.03
 mm - X.XX = ±0.4
 X.X = ±0.8

Mounting: Standard: 4-40 THD inserts 1/4" min. depth are provided in baseplate. Steel 4-40 bolts American Standard, unified national coarse series, slotted studs are supplied with each unit.

Material: Base - Aluminum 5052-H32
 Case- 26 Gauge Steel (cold rolled)
 Case Finish - Nickel Plating

Metric: M2.5 inserts. To order insert an "I" after the "A" in the model number, i.e. AB35D/12-AI.

* Number of mounting holes: 6 places for the 200 watt model, 4 places for all other models.

All specifications are typical @+25°C with nominal input voltage under full output load conditions, unless otherwise noted. Specifications subject to change without notice.



Pin Designations

Model:	AB20S		
Connector:	DEMME9PF		
Mate:	DEMM9S		
1. - Input	4. + Sense ²	7. Ground	
2. - TTL	5. + Output	8. - Sense ²	
3. + TTL	6. + Input	9. - Output	

Model:	AB35S and AB50S		
Connector:	DAMME15PF		
Mate:	DAMM15S		
1. - Input	6. + Sense ²	11. Ground	
2. N/C	7. + Output	12. N/C	
3. - TTL	8. + Output	13. - Sense ²	
4. + TTL	9. + Input	14. - Output	
5. N/C	10. N/C	15. - Output	

Model:	AB35D and AB50D		
Connector:	DAMME15PF		
Mate:	DAMM15S		
1. - Input	6. + Output 1	11. Ground	
2. N/C	7. + Sense 2 ²	12. - Sense 1 ²	
3. - TTL	8. + Output 2	13. - Output 1	
4. + TTL	9. + Input	14. - Sense 2 ²	
5. + Sense 1 ²	10. N/C	15. - Output	

Model:	AB100S		
Connector:	DBMME25PF		
Mate:	DBMM25S		
1. + Input	10. + Sense ²	18. + Output	
2. + Input	11. - Sense ²	19. + Output	
3. + Input	12. - Output	20. + Output	
4. Parallel ¹	13. - Output	21. + Output	
5. Parallel ¹	14. - Input	22. - Output	
6. + TTL	15. - Input	23. - Output	
7. - TTL	16. - Input	24. - Output	
8. + Output	17. Ground	25. - Output	
9. + Output			

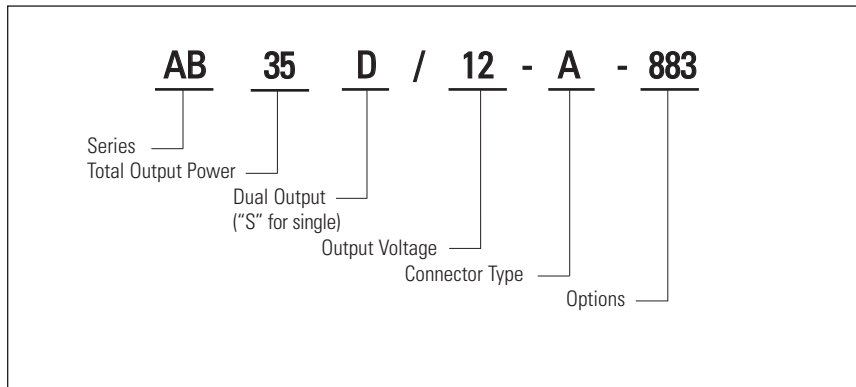
Model:	AB200S					
Connector:	DCMME37PF					
Mate:	DCMM37S					
1. + Input	8. + TTL	14. + Sense ²	20. - Input	26. + Output	32. - Output	
2. + Input	9. - TTL	15. - Sense ²	21. - Input	27. + Output	33. - Output	
3. + Input	10. + Output	16. - Output	22. - Input	28. + Output	34. - Output	
4. + Input	11. + Output	17. - Output	23. - Input	29. + Output	35. - Output	
5. + Input	12. + Output	18. - Output	24. - Input	30. + Output	36. - Output	
6. Parallel ¹	13. + Output	19. - Output	25. Ground	31. + Output	37. - Output	
7. Parallel ¹						

¹ Parallel pins are internally connected and redundant. Either pin can be used for single pin parallelability or either pin can be left open and unused.

² Sense pins must be tied either locally (at connector) or remote (at load) for proper operation.



How to order



SERIES AB

Input Current (Typical Amps)

Model	Output Load	Low Line	High Line
AB20S	50%	1.2	0.45
	100%	2.2	0.93
AB35S	50%	2.1	0.78
	100%	3.8	1.6
AB35D	50%	2.1	0.84
	100%	3.8	1.6
AB50S	50%	3.0	0.88
	100%	5.5	1.97
AB50D	50%	3.0	0.9
	100%	5.5	2
AB100S	50%	4.6	2.5
	100%	8.6	4.8
AB200S	50%	9.3	4.9
	100%	17.7	9.8

Input Fuse: To protect your power supply source and the Martek Power Abbott converter always insert a fuse between the source and the module's "high" input pin(s). Bus fuse type MDX or equivalent slow blow is recommended. Fuse value is indicated on label of module; typically 2 times low line input current value at full load (100%).



SERIES AB

AB1275
DC
Input
Transient
Suppression
Module

The Martek Power Abbott AB1275 filter module was designed to operate as an input spike and transient suppression unit for use with any DC to DC converter. The AB1275 filter module, with 28 volts nominal input, can supply up to 300 watts of output power with under 1.0 volt DC insertion loss.

The unit incorporates a passive network to eliminate positive spike voltages of 100µs or less in duration. Transients greater than 100µs and equal to or less than 100 ms in duration are clamped to a maximum output of 50 Vdc. Any positive transients longer than 100 ms will activate an input voltage shutdown protection circuit and turn the AB 1275's output off. The output will automatically be restored upon the removal of the overvoltage condition.

Negative spikes are clamped by input shunt diodes; an input fuse is required to protect the unit in case of a sustained negative voltage in excess of the limits of MIL-STD-1275, or permanent damage will occur.

The AB1275 module is optimally suited for use with Martek Power Abbott's AB series, SM series and BC series but can be utilized with any high reliability DC to DC converter that meets the input requirements of MIL-STD-704D (50 Vdc input spike "ride-through" operation).

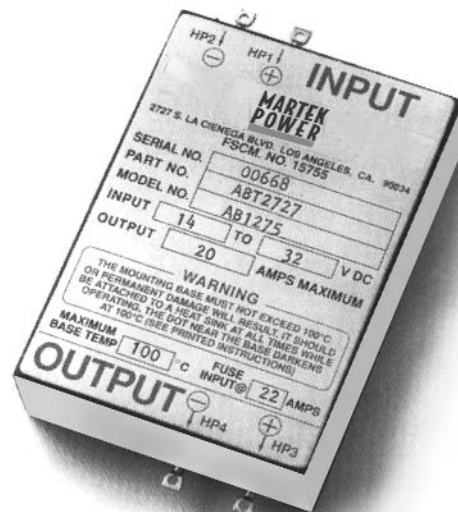
Martek Power AB1275 module is the ideal solution for transient suppression when retrofitting advanced electronics into existing platforms.

Meets DC input Transient Limits for MIL-STD-704A

- Transient: 80 Vdc for 0.1 second
- Spike: 600 Vdc for 10µs

Meets DC input Transient for MIL-STD-1275A

- Transient: 100Vdc for 100ms
- Spike: ±250 Vdc for 50 µs



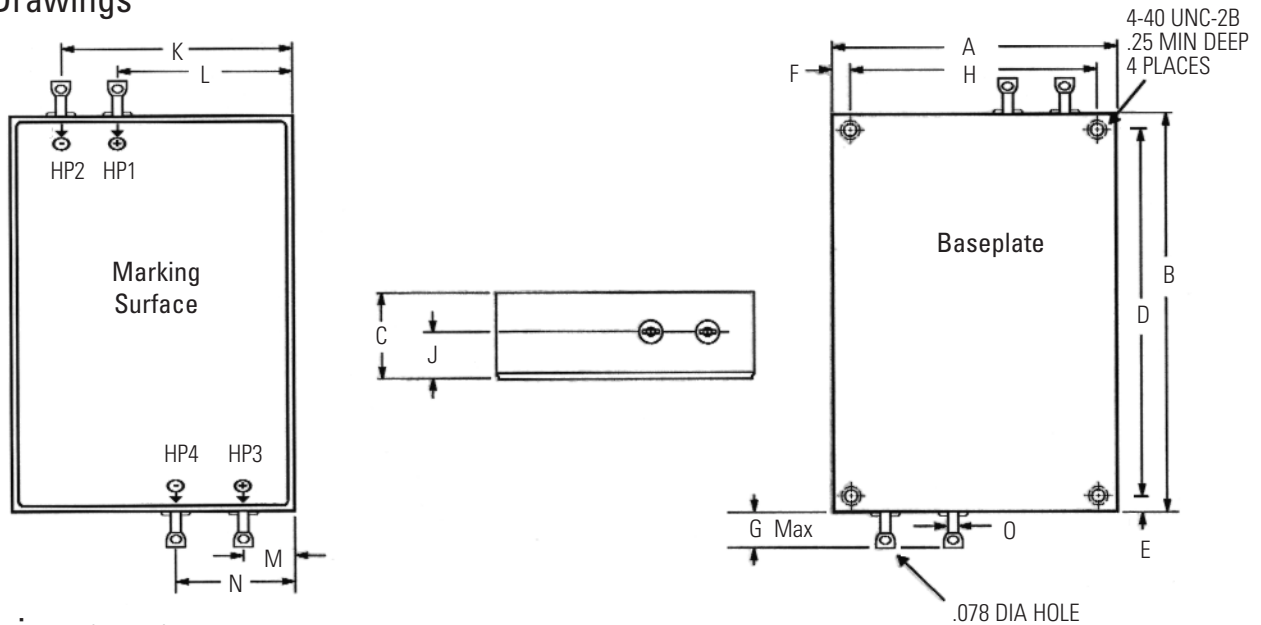


Specifications

SERIES AB

Steady State	14 to Vdc
Maximum Output Current:	20 amps
Maximum Output Voltage (Clamp):	50 Vdc
Current Limit:	Delayed Latching Type, 20 amps or 300 watt min.
Fuse (recommended):	22 Adc, Slow Blow Type
Insertion Loss:	1.0 Vdc Max. @ 20 amps °C
Input Surge Limit:	100 Vdc, 0.1 sec., 0.5 Ω per MIL-STD-1275A
Input Surge Limit:	±250 Vdc, 50μS, 15mJ, per MIL-STD-1275A
	±650 Vdc, 10μS, 50 Ω, per MIL-STD-704A
Reverse Polarity Protection:	Shunt Diode (Input Fuse Required)
No Load power Dissipation:	2.5 watts maximum
Efficiency:	90% to 97% from 14 to 36 Input Volts DC
Overvoltage Shutdown (Auto Recovery):	41 Vdc to 100 Vdc for > 100mS
Temperature:	
Operating:	-55°C to +100°C, baseplate
Storage:	-55°C to +125°C, ambient
Isolation - Input/Output to Case:	500 Vdc
Case Size:	2.5 X 3.5 X .85 inches
	63.5 X 88.9 X 21.6 mm
Weight:	9.6 oz, 270 grams
Environmental:	MIL-STD-810C
Insulation Resistance:	50 megohm min. @ 50V Input/Output to Case

Case Drawings



Dimensions (in/mm)

	A	B	C	D	E	F	H	J	J	K	L	M	N	O
in	2.50	3.50	0.85	3.100	0.20	0.20	0.4	2.100	0.46	2.05	1.55	0.45	1.05	0.093
mm	63.5	88.9	21.6	78.74	5.1	5.1	10.2	53.34	11.7	52.1	39.4	11.4	26.7	2.36

Tolerances: inches - X.XXX = ±0.015
 X.XX = ±0.03
 mm - X.XX = ±0.4
 X.X = ±0.8

Mounting: Standard: 4-40 THD inserts are provided in baseplate.
 Metric: M3 inserts

Material: Baseplate - Aluminum 6061-T6
 Case- Steel
 Case Finish - Nickel Plating per QQ-N-290
 Class 1 0.0006 THK Bright

All specifications are typical @+25°C with nominal input voltage under full output load conditions, unless otherwise noted. Specifications subject to change without notice.



The AB, AW and AM series of power supplies were designed as military grade, stand alone devices requiring no external components for operation. The entire series are 160 to 200 kHz, fixed frequency, switching power supplies. The series utilizes either push-pull forward or single ended forward converter topologies. Control is accomplished via pulse width modulation in a current mode control scheme.

These models are all encased in five sided steel enclosures to minimize radiated noise. All models in these series contain internal EMI filters for compliance to MIL-STD-461 for conducted emissions on the input leads. Certified tests reports characterizing EMI performance are available upon request. The AB, AW and AM series comply with the NAVMAT guidelines for component derating. Environmental Stress Screening (ESS) per the NAVMAT guidelines is also available as an option.

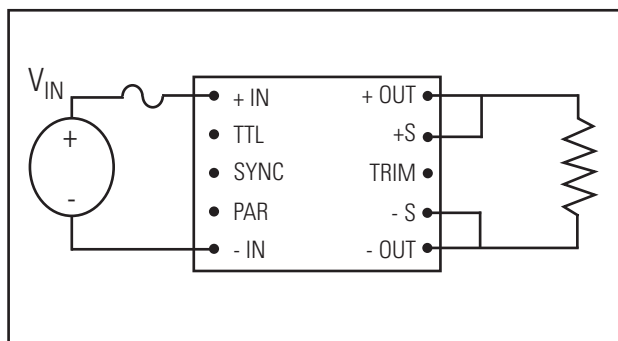


Figure 1

The most basic use of the power converter is shown in Figure 1. An input fuse is always recommended to protect both the source and the power supply in the event of failures. Bus fuse type MDX or equivalent slow-blow is recommended with a current rating approximately 200% of the full load input current to the converter. Having a slow-blow type fuse will allow for the converter's inrush charge at turn-on. The sense pins of the converter must be connected to their corresponding output bus. Inherently, power converters will have some internal energy loss, which is dissipated in the form of heat through an aluminum mounting surface. This surface must be cooled to maintain a temperature below the maximum operating temperature.

Wire Gauge and Distance to Load

If the resistance of the wire, printed circuit board runs or connectors used to connect a converter to system components is too high, excessive voltage drop will result between the converter and system components, degrading overall system performance.

For example, if the DC/DC converter in Figure 1a is a 50W unit (5 Vdc @ 10 Amps) with output load regulation specified at 0.2%; the connection as shown will degrade load regulation by a factor of 10. In this example, the 4 feet of #14 AWG wire used to connect the converter output to the load, has a total line resistance of 10mΩ (ignoring any contact resistance). For a 50W, 5 Vdc output converter, the drop across the lead resistance will be 100mV (10 A X 0.010Ω) or 2% of the output. Thus, the converter is selected for 0.2% regulation, but the power system layout achieves only 2.2%.

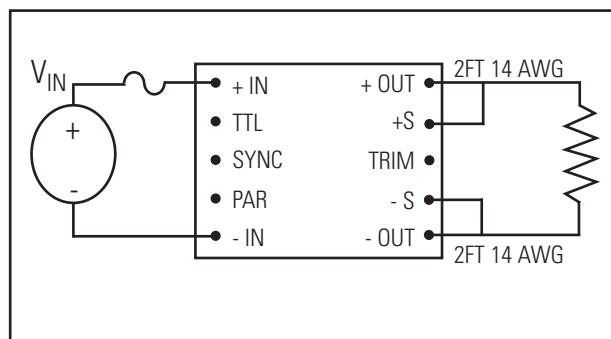


Figure 1a

This can be corrected by decreasing the distance between the converter output and load. If that is not possible, using larger diameter wire (see Table 1) or PCB runs that have a larger cross sectional area and shorter length will also reduce conductor resistance. The use of the converter's remote sense capability will also work (see remote sense for more information on this option).

Note: High IR drops between the converter and load may cause converter parameters (such as output voltage accuracy, remote sensing supplies, etc.) to appear to be out of specification. High IR drops on input lines may cause start up problems (voltage at the input pins below the input range of the converter).



Obviously, any connections made to the power distribution bus present a similar problem. Poor connections (such as micocracking around solder joints) can cause serious problems such as arcing. Contact resistance must be minimized. Proper workmanship standards must be followed to insure reliable solder joints for board mount converters. Terminal strips, spade lugs and edge connectors must be free of any corrosion, dust or dirt. If parallel lines or connections are available for routing converter output currents, they should be utilized.

# AWG	Current Resistance (mΩ/Foot)	#AWG	Current Resistance (mΩ/Foot)
9	0.792	21	12.77
10	0.998	22	16.20
11	1.261	23	20.30
12	1.588	24	25.67
13	2.001	25	32.37
14	2.524	26	41.02
15	3.181	27	51.44
16	4.020	28	65.31
17	5.054	29	81.21
18	6.386	30	103.7
19	8.046	31	130.9
20	10.13	32	162.0

Table 1

Ripple and Noise

Output ripple and noise (sometimes referred to as PARD or "Periodic and Random Deviations") can be defined as unwanted variations in the output voltage of a power supply. In switching power supplies this output noise is seen as a series of pulses with a high frequency content and is therefore measured as peak value (i.e., specified as "peak-to-peak".)

The AB, AW, and AM series power supplies are specified and tested in our factory with a 25 MHz bandwidth oscilloscope. Measurements taken by a scope set a higher frequencies (i.e., 300 MHz) may produce significantly different results due to noise coupling on to the probe from sources other than the power supply.

The length of all measurements leads (especially the ground lead) should be minimized and the sense pins should be tied to their respective outputs (+Sense to +Vout). We recommend measurement as close to the power supply as possible. This can be accomplished by connecting a short bus wire (generally 0.5 inch or less, making a loop at the end to place at the probe) to the negative and positive outputs on the back side of the connector mate, then place the tip of the probe on the +output and the ground ring (or ground band) on the - output for a true ripple measurement. This is displayed in Figure 1b below.

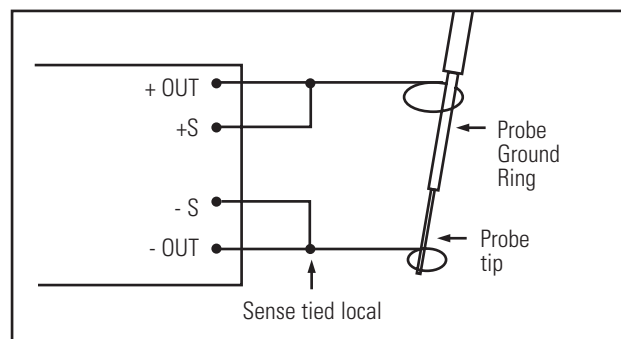


Figure 1b

Utilizing the probe ground ring (as opposed to a ground wire) will minimize the chance of noise coupling from sources other than the power supply. If this is not practical or possible then attached a 6 to 8 inches twisted pair wire to the outputs of the power supply and place a 10 to 20 μF tantalum capacitor (low ESR type, with an appropriate voltage rating) across the load. This test method is shown on Figure 1c.

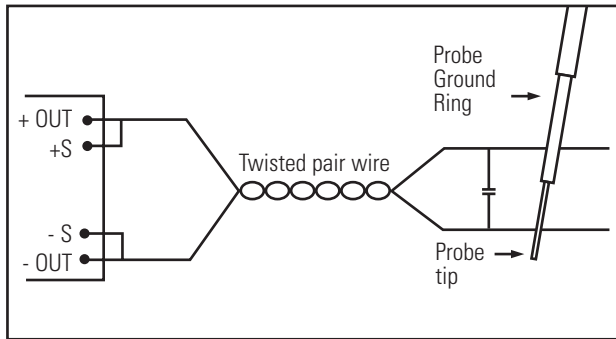


Figure 1c

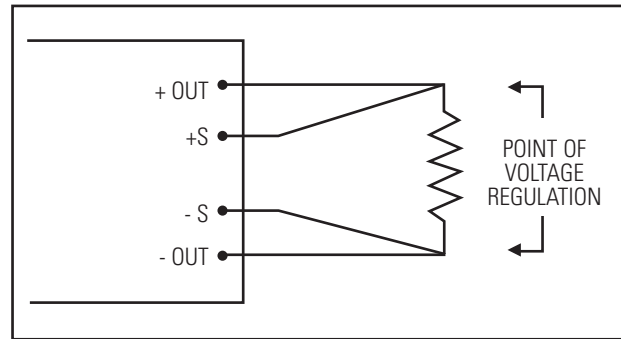


Figure 2: Remote Sense - Single Output

This test method will enable a remote measurement and eliminate any noise that may couple on to the extended leads coming off the converter.

Remote Sense

Remote sense pins, +S and -S have been provided on the AB, AW and AM Series for applications where precise load regulation is required a distance from where the converter is physically located. If remote sensing is NOT required, these pins **MUST BE tied** to their respective output pins (+S to +OUT, -S to -OUT). If one or more of these sense pins are not connected to their respective output pins, the output(s) of the unit will not regulate to within specification and may cause a high output voltage condition.

DO NOT connect sense pins to any pin other than their respective output pins or permanent damage will occur.

DO NOT disconnect the output pins while the sense pins are still tied to the load and powered or permanent damage will occur.

DO NOT connect sense pins to any load other than the same load the output pins are connected to or permanent damage may occur.

The internal remote sense circuit is designed to compensate for a maximum of 0.5 V difference (0.25 V in each output lead) in voltage between the load and the power converter. Longer output leads or traces are required to be of sufficient gauge or width to maintain the voltage drop across them of 0.5 V maximum at rated load current.

Parallel Operation

(100 and 200 Watt Modules only)

The AB, AW and AM Series have the capability of being paralleled to drive loads of higher power than a single unit can handle. The PAR pin is supplied on the unit for this function. If parallel operation of two or more units is required, the following precautions must be followed.

- Corresponding input and output leads or traces on each unit should be as equal in length and size as practical. The more equivalent the leads are the closer the current sharing.
- The leads connecting the PAR, +S and -S pins may need to be shielded to avoid high frequency noise interference in very high power applications.
- The PAR pins of all units should be tied together.

Or'ing diodes may be included in the positive output leads for true N+1 redundant systems, but are not necessary. Local sensing should be used whenever possible to minimize noise on +S and -S pins in parallel applications. Though this feature is available only on 100 and 200 watt modules, parallel operation can be between either (i.e. 100 watt unit tied to a 200 watt for 300 watts).

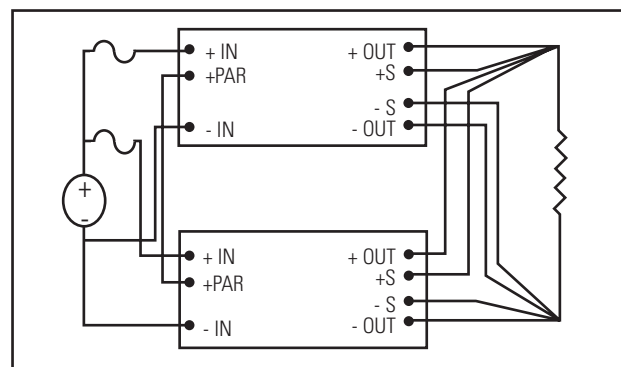


Figure 1c: Parallel Operation



Series Operation

The AB, AW and AM Series of power supplies may be arranged in a series operating mode to supply higher output voltages when required (see Figure 4). In this configuration D1 and D2 are added to protect against the application of a negative across the outputs of the power converters during power up and power down. The two (or more) units need not have the same output voltage, but the output current supplied in this configuration will be limited to the lowest maximum output current of the modules used.

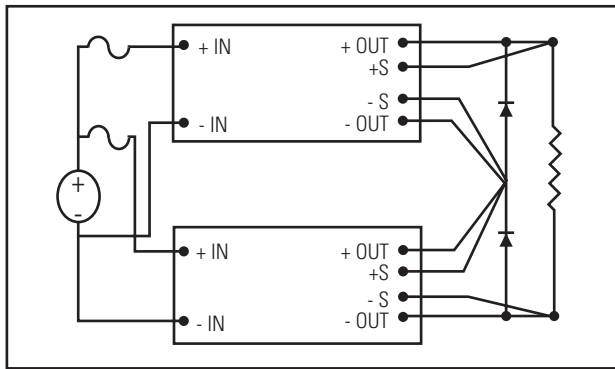


Figure 4: Series Operation

Dual Output (+/-) Operation

(35 and 50 Watt Dual Outputs only)

The AB, AW and AM are available as dual (two channel) configurations for 35 and 50 watt modules (only). The two channels are completely independent and can be operated as either positive channels, negative channels or both (i.e., standard +/- configurations).

To operate the modules in the standard +/- configuration tie the positive rail of the first channel to the negative rail of the second channel and use this point as the reference ground as shown in Figure 5.

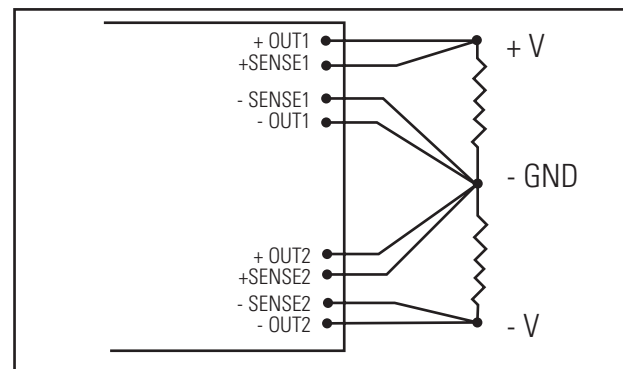


Figure 5: Dual Output (+/-) Operation

Additionally, since the modules offer two independent, isolated outputs it is possible to offer any combination of output voltages between 5 and 15 Vdc in one module i.e., a 5 Vdc and 5.2 Vdc in one common box. Consult factory for detail.



Remote On/Off

The AB/AW/AM Series contains a remote on/off (TTL) feature. This allows control of the output power using a TTL level signal. The AB/AW/AM series +TTL and -TTL pins are isolated from all other signals, allowing them to be referenced to either input or output grounds. The TTL pins are tied to the input of an optocoupler that is limited to 10 mA maximum at logic level 1 (or 5 volts) inputs.

The unit will be on if the TTL pins are left floating (untied) or if they are shorted together. The output remains on if a logic level 0 (less than 0.8 volts) is applied at the +TTL pin with respect to the -TTL pin. Application of a logic level 1 at the +TTL pin with respect to the -TTL pin will inhibit the output.

-ER Option

The “-ER” (Enhanced Reliability) option for the AB, AW and AM series upgrades the component parts from hermetic/Mil-grade to full military grade. Active devices upgrade to JAN, JANTX or MIL-STD-883 (wherever possible) and passive components upgrade to “M” level or better (wherever possible). The net result is typically a 2 to 3 times improvement in Mean Time Between Failure (MTBF) calculations per MIL-HDBK-217. No dimensions or electrical specifications will be changed. Exact calculations can be obtained displaying the impact of this option on the MTBF for a specific model. This option is not recommended for new designs. Please contact factory for details.

Military Specifications; Environmental Qualifications

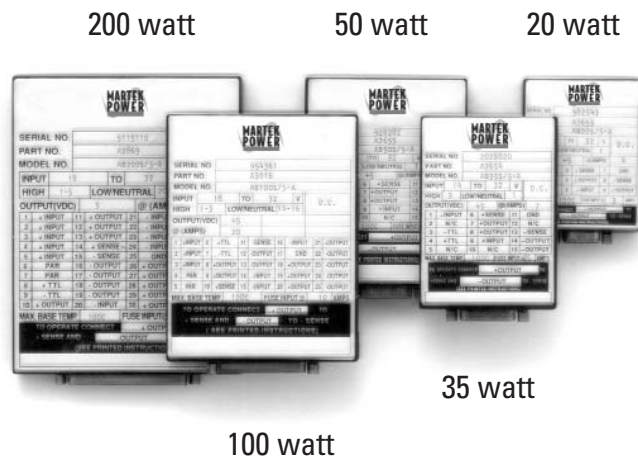
Specification	Condition	Method	Procedure	Test Condition
MIL-STD-704D	Input Transient			Transients up to 50Vdc for 0.1 sec (28 Vdc input) Transients up to 180 Vac for 0.1 sec (115 Vac input)
MIL-STD-810C	Vibration	514.2	1	Up to +/- 15gs, each axis for 3 hours +E23
MIL-STD-810C	Humidity	507.3	1	95% humidity, non-condensing for 10 days
MIL-STD-810C	Temp/Altitude	504.1	1	-55°C to +71°C @ 70,000 feet (category 6)
MIL-STD-810C	Acceleration	513.2	2	14 gs each axis
MIL-STD-810C	Mechanical Shock	516.2	1	Up to 40gs, each axis for 11ms
MIL-S-901C	High Impact Shock			5 feet hammer drop, each axis

Certified test reports are available upon request.



Series RB

DC/DC Converters



A comprehensive line of full military DC-DC converters ideally suited for ground mobile systems or any distributed power network. The RB models have been qualified for a wide range of military specifications including environmental and EMI conformance.



DC/DC

- Current Mode Control
- Standard Current Limiting
- Wireless Submodular Construction for High Reliability
- NAVAT Guidelines

Specifications

Input:

20 - 50 watts units: 14 to 32 Vdc.
100 and 200 watt units: 18 to 32 Vdc.

Efficiency:

65% minimum. Typically 70 - 80% (nominal input, full load, room ambient). For dual 5 Vdc output modules efficiency will be 50 - 60% typical.

Line Regulation:

10 mV or 0.1%, whichever is greater, over entire input range with load held constant.

Load Regulation:

10 mV or 0.1%, whichever is greater from no load to full load with line held constant.

PARD (Noise and Ripple):

25 mV rms, 100 mV P-P at 25 MHz bandwidth, measured over temperature range.

Isolation Voltage:

500 Vdc, input to output; 400 Vdc, input to case; 100 Vdc, output to case.

Insulation Resistance:

50 megohms between input and output, input and case, output and case, when measured at 50 Vdc.

Temperature Range:

Operating: -55°C to +100°C maximum, at center of the baseplate.
Storage: -55°C to +125°C, ambient.

Parallelability:

The 100 watt and 200 watt units allow for multiple unit current sharing without the need for external components, via a single pin connection on each unit.

Temperature Coefficient:

0.01%/°C maximum over entire temperature range.

Input Transient Protection:

Unit will provide normal regulated output and withstand 50 Vdc for 0.1 second, in accordance with MIL-STD-704D. Compliance to MIL-STD-704A (80 Vdc for 0.1 second) can be achieved with optional transient suppressor. Consult factory for details.

Load Transient Recovery:

Output voltage returns to regulation limits with 0.5 ms after 50% change in load current.

Load Transient Overshoot:

0.5 V from nominal voltage set point.

Short Circuit Protection:

Completely protected against a short circuit of any duration. Output automatically restores to normal when overload is removed.

Remote Sensing:

Compensates for up to 0.5 volt drop in leads. Sense pins must be tied local (at connector) or remote (at load) for proper operation.

Remote Inhibit:

Provides for remote turn on/off with TTL logical signal. Application of TTL Signal (logic 1) will inhibit the outputs. 10 mA required current (@5 Vdc).

Electromagnetic Interference:

Units, when tested in accordance with MIL-STD-462, meet the majority of the requirements of MIL-STD-462C for conducted and radiated, emission and susceptibility, for Class A1, A2, and A3 equipment for input power leads. For further details regarding levels and extend of compliance on each class, or requirement, consult factory. Certified test reports available upon request.

Switching Frequency:

160 to 200 kHz fixed.

Reliability:

The Mean Time Between Failure (MTBF) is calculated per MIL-HDBK-217E at 50°C baseplate temperature with maximum operating input voltage and maximum rated output power. The MTBF for RB20S at ground benign environment is 401,400 hours. With the -ER option, MTBF was calculated to be 1,504,800 hours of ground benign. The standard RB200S MTBF at ground benign and naval sheltered is 265,050 and 52,200 respectively. Please consult factory for additional environments and models.

Environment:

Units meet MIL-STD-810C, altitude, shock, acceleration, vibration and MIL-S-901C high-impact shock requirements. For information, please consult factory. Certified test reports available upon request

Hook up:

Via D-Subminiature Connectors, M24308/24 type.

All specifications are typical @+25°C with nominal input voltage under full output load conditions, unless otherwise noted. Specifications subject to change without notice.



Options

-883 Screening

Unit undergoes environmental screening based upon the parameters outlined in MIL-STD-883 and NAVMAT 4855-1. The screening consists of :

- 1.) Stabilization Bake: +125°C for 24 hours per MII-STD-883, M1008.2 Condition B.
- 2.) Temperature Cycling (non-operational): 10 cycles min., at -55°C to +125°C, 36 minute transition with 1 hour dwell at each temperature extreme. Procedure reference MII-STD-883, M1010, Condition B and NAVMAT P4855-1.
- 3.) Long Term Operational Burn In: 160 hours of powered operation under load. Modules are continuously cycled from +85°C to thermal shut down point (+105°C) during the 160 hours.

Ruggedized

COTS readily available components are utilized. Contact factory for details.

Environmental Stress Screening

Environmental Stress Screening (ESS) including random vibration and thermal cycling (per the NAVMAT guidelines) is available. Consult factory for details.

Enhanced Reliability

ER Options provides increased reliability by using higher levels of military grade components (to order, add "-ER" after model number, i.e., RB200S/15-A-ER). (Not recommended for new designs.)

Single Output

Nominal Output Voltage	Output Current (Amps)	Weight' (oz.)	Weight' (Grams)	Model Number
5	4	7	200	RB20S/5-A
	7	9	255	RB35S/5-A
	10	12	325	RB50S/5-A
	20	18	510	RB100S/5-A
	40	26	720	RB200S/5-A
5.2	3.85	7	200	RB20S/5.2-A
	6.73	9	255	RB35S/5.2-A
	9.62	12	325	RB50S/5.2-A
	19.23	18	510	RB100S/5.2-A
	38.46	26	720	RB200S/5.2-A
12	1.66	7	200	RB20S/12-A
	2.91	9	255	RB35S/12-A
	4.16	12	325	RB50S/12-A
	8.33	18	510	RB100S/12-A
	16.67	26	720	RB200S/12-A

Nominal Output Voltage	Output Current (Amps)	Weight' (oz.)	Weight' (Grams)	Model Number
15	1.33	7	200	RB20S/15-A
	2.33	9	255	RB35S/15-A
	3.33	12	325	RB50S/15-A
	6.66	18	510	RB100S/15-A
	13.33	26	720	RB200S/15-A
24	0.83	7	200	RB20S/24-A
	1.45	9	255	RB35S/24-A
	2.08	12	325	RB50S/24-A
	4.16	18	510	RB100S/24-A
	8.33	26	720	RB200S/24-A
28	0.71	7	200	RB20S/28-A
	1.25	9	255	RB35S/28-A
	1.78	12	325	RB50S/28-A
	3.57	18	510	RB100S/28-A
	7.14	26	720	RB200S/28-A

Set Point Accuracy: 50 mV or 0.5%, whichever is greater

Dual Output*

Nominal Output Voltage	Output Current (Amps)	Weight' (oz.)	Weight' (Grams)	Model Number
±5 ²	1.5	9.25	260	RB35D/5-A
	2.1	11.75	330	RB50D/5-A
±12	1.46	9.25	260	RB35D/12-A
	2.08	11.75	330	RB50D/12-A
±15	1.17	9.25	260	RB35D/15-A
	1.67	11.75	330	RB50D/15-A

Set Point Accuracy: 50 mV or 0.5%, whichever is greater

* Each output is independent and isolated; outputs may be connected in a positive or negative configuration. Both outputs can be used as positive or negative. These also can be used in ± dual output configuration. Lastly these outputs can be tied in series for higher output voltages.

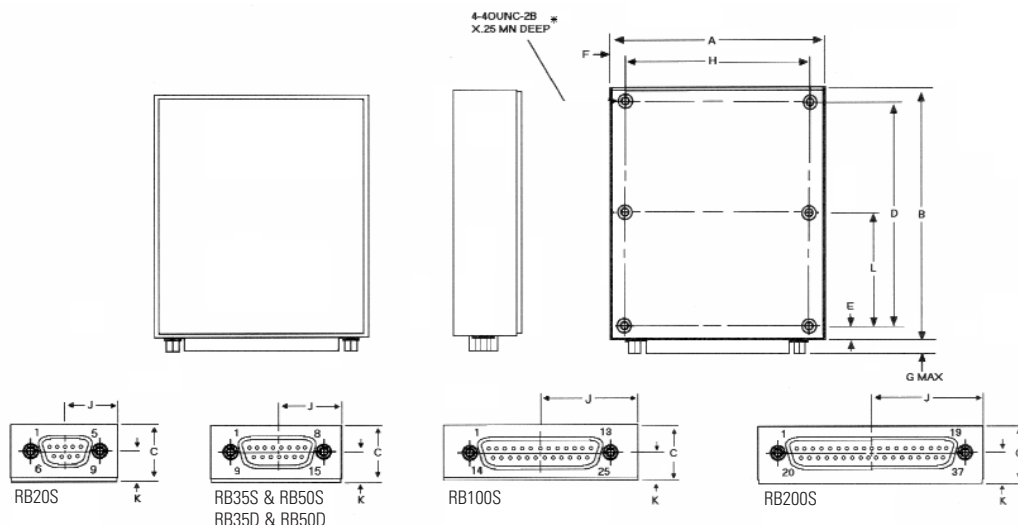
¹ Maximum weight

² Maximum output power is 21 watts or 10.5 watts per channel



Case Drawings

SERIES RB



Dimensions (in/mm)

Models	A	B	C	D	E	F	G	H	J	K	L
RB20S	2.20	2.80	.85	2.450	.18	.18	.25	1.850	1.10	.46	N/A
	55.9	71.1	21.6	62.13	4.6	4.6	6.4	46.99	27.9	11.7	N/A
RB35S	2.50	3.50	.85	3.100	.20	.20	.25	2.100	1.25	.46	N/A
RB35D	63.5	88.9	21.6	78.74	5.1	5.1	6.4	53.34	31.8	11.7	N/A
RB50S	3.00	3.85	.85	3.450	.20	.20	.25	2.600	1.50	.46	N/A
RB50D	76.2	97.8	21.6	87.63	5.1	5.1	6.4	66.04	38.1	11.7	N/A
RB100S	3.50	4.50	.85	4.100	.20	.20	.25	3.100	1.75	.46	N/A
	88.9	114.3	21.6	104.14	5.1	5.1	6.4	78.74	44.5	11.7	N/A
RB200S	4.25	5.50	.85	5.100	.20	.20	.25	3.850	2.13	.46	2.550
	108.0	139.7	21.6	129.54	5.1	5.1	6.4	97.79	54.1	11.7	64.77

Tolerances: inches - X.XXX = ±0.015
 X.XX = ±0.03
 mm - X.XX = ±0.4
 X.X = ±0.8

Mounting: Standard: 4-40 THD inserts 1/4" min. depth are provided in baseplate. Steel 4-40 bolts American Standard, unified national coarse series, slotted studs are supplied with each unit.

Material: Base - Aluminum 5052-H32
 Case- 26 Gauge Steel (cold rolled)
 Case Finish - Nickel Plating

Metric: M2.5 inserts. To order insert an "I" after the "A" in the model number, i.e. RB35D/I2-AI.

* Number of mounting holes: 6 places for the 200 watt model, 4 places for all other models.

All specifications are typical @+25°C with nominal input voltage under full output load conditions, unless otherwise noted. Specifications subject to change without notice.



Pin Designations

Model:	RB20S	
Connector:	DEMME9PF	
Mate:	DEMM9S	

- | | | |
|------------|-------------------------|-------------------------|
| 1. - Input | 4. + Sense ² | 7. Ground |
| 2. - TTL | 5. + Output | 8. - Sense ² |
| 3. + TTL | 6. + Input | 9. - Output |

Model:	RB35S and RB50S		
Connector:	DAMME15PF		
Mate:	DAMM15S		

- | | | |
|------------|-------------------------|--------------------------|
| 1. - Input | 6. + Sense ² | 11. Ground |
| 2. N/C | 7. + Output | 12. N/C |
| 3. - TTL | 8. + Output | 13. - Sense ² |
| 4. + TTL | 9. + Input | 14. - Output |
| 5. N/C | 10. N/C | 15. - Output |

Model:	RB35D and RB50D		
Connector:	DAMME15PF		
Mate:	DAMM15S		

- | | | |
|---------------------------|---------------------------|----------------------------|
| 1. - Input | 6. + Output 1 | 11. Ground |
| 2. N/C | 7. + Sense 2 ² | 12. - Sense 1 ² |
| 3. - TTL | 8. + Output 2 | 13. - Output 1 |
| 4. + TTL | 9. + Input | 14. - Sense 2 ² |
| 5. + Sense 1 ² | 10. N/C | 15. - Output |

Model:	RB100S		
Connector:	DBMME25PF		
Mate:	DBMM25S		

- | | | |
|--------------------------|--------------------------|--------------|
| 1. + Input | 10. + Sense ² | 18. + Output |
| 2. + Input | 11. - Sense ² | 19. + Output |
| 3. + Input | 12. - Output | 20. + Output |
| 4. Parallel ¹ | 13. - Output | 21. + Output |
| 5. Parallel ¹ | 14. - Input | 22. - Output |
| 6. + TTL | 15. - Input | 23. - Output |
| 7. - TTL | 16. - Input | 24. - Output |
| 8. + Output | 17. Ground | 25. - Output |
| 9. + Output | | |

Model:	RB200S					
Connector:	DCMME37PF					
Mate:	DCMM37S					

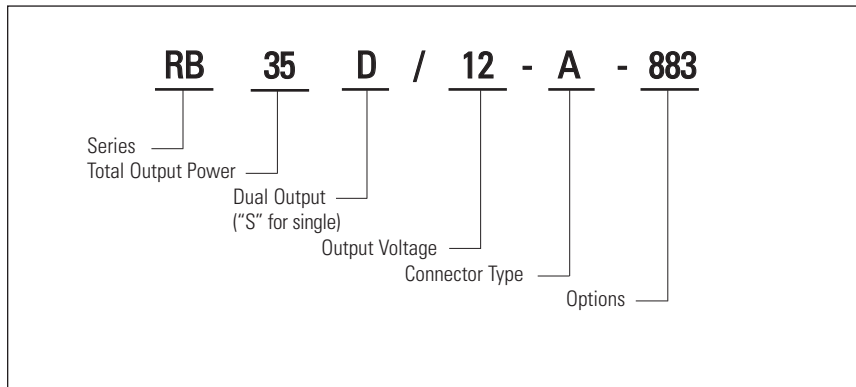
- | | | | | | |
|--------------------------|--------------|--------------------------|-------------|--------------|--------------|
| 1. + Input | 8. + TTL | 14. + Sense ² | 20. - Input | 26. + Output | 32. - Output |
| 2. + Input | 9. - TTL | 15. - Sense ² | 21. - Input | 27. + Output | 33. - Output |
| 3. + Input | 10. + Output | 16. - Output | 22. - Input | 28. + Output | 34. - Output |
| 4. + Input | 11. + Output | 17. - Output | 23. - Input | 29. + Output | 35. - Output |
| 5. + Input | 12. + Output | 18. - Output | 24. - Input | 30. + Output | 36. - Output |
| 6. Parallel ¹ | 13. + Output | 19. - Output | 25. Ground | 31. + Output | 37. - Output |
| 7. Parallel ¹ | | | | | |

¹ Parallel pins are internally connected and redundant. Either pin can be used for single pin parallelability or either pin can be left open and unused.

² Sense pins must be tied either locally (at connector) or remote (at load) for proper operation.



How to order



SERIES RB

Input Current (Typical Amps)

Model	Output Load	Low Line	High Line
RB20S	50%	1.2	0.45
	100%	2.2	0.93
RB35S	50%	2.1	0.78
	100%	3.8	1.6
RB35D	50%	2.1	0.84
	100%	3.8	1.6
RB50S	50%	3.0	0.88
	100%	5.5	1.97
RB50D	50%	3.0	0.9
	100%	5.5	2
RB100S	50%	4.6	2.5
	100%	8.6	4.8
RB200S	50%	9.3	4.9
	100%	17.7	9.8

Input Fuse: To protect your power supply source and the Martek Power Abbott converter always insert a fuse between the source and the module's "high" input pin(s). Bus fuse type MDX or equivalent slow blow is recommended. Fuse value is indicated on label of module; typically 2 times low line input current value at full load (100%).



AB1275 DC Input Transient Suppression Module

The Martek Power Abbott AB1275 filter module was designed to operate as an input spike and transient suppression unit for use with any DC to DC converter. The AB1275 filter module, with 28 volts nominal input, can supply up to 300 watts of output power with under 1.0 volt DC insertion loss.

The unit incorporates a passive network to eliminate positive spike voltages of 100 μ S or less in duration. Transients greater than 100 μ S and equal to or less than 100 mS in duration are clamped to a maximum output of 50 Vdc. Any positive transients longer than 100 mS will activate an input voltage shutdown protection circuit and turn the RB 1275's output off. The output will automatically be restored upon the removal of the overvoltage condition.

Negative spikes are clamped by input shunt diodes; an input fuse is required to protect the unit in case of a sustained negative voltage in excess of the limits of MIL-STD-1275, or permanent damage will occur.

The AB1275 module is optimally suited for use with Martek Power Abbott's RB series, SM series and BC series but can be utilized with any high reliability DC to DC converter that meets the input requirements of MIL-STD-704D (50 Vdc input spike "ride-through" operation).

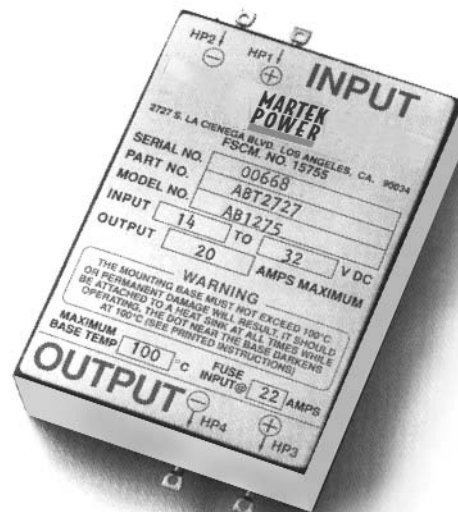
Martek Power AB1275 module is the ideal solution for transient suppression when retrofitting advanced electronics into existing platforms.

Meets DC input Transient Limits for MIL-STD-704A

- Transient: 80 Vdc for 0.1 second
- Spike: 600 Vdc for 10 μ s

Meets DC input Transient for MIL-STD-1275A

- Transient: 100Vdc for 100mS
- Spike: \pm 250 Vdc for 50 μ s



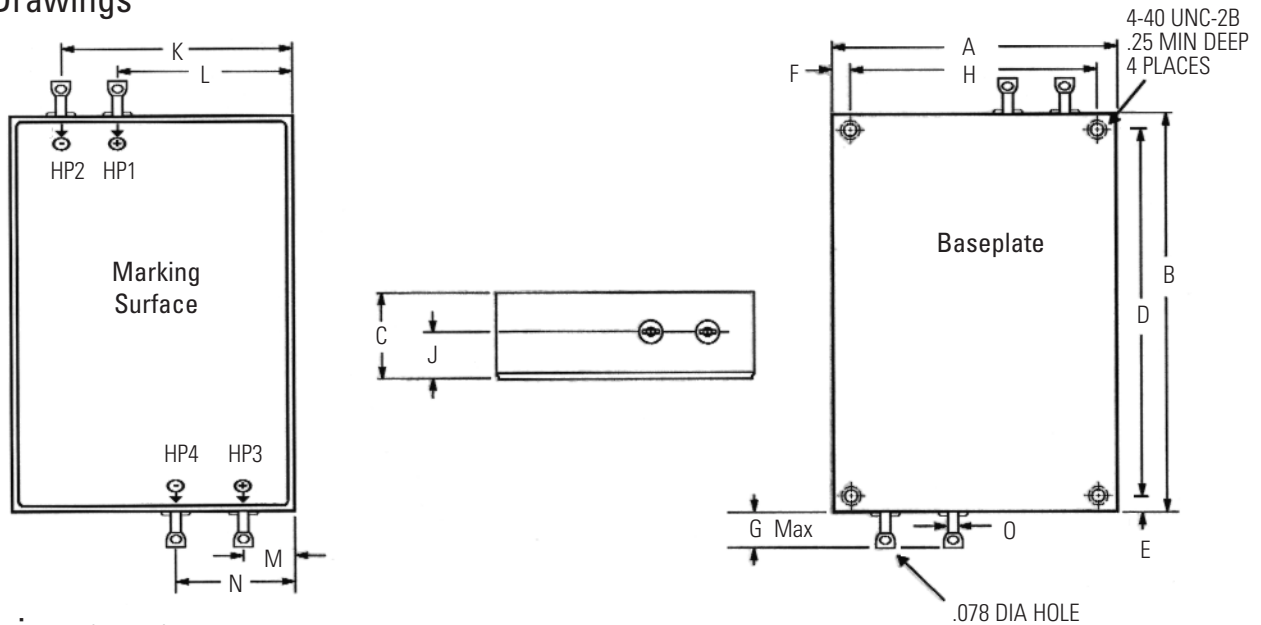


Specifications

SERIES RB

Steady State	14 to Vdc
Maximum Output Current:	20 amps
Maximum Output Voltage (Clamp):	50 Vdc
Current Limit:	Delayed Latching Type, 20 amps or 300 watt min.
Fuse (recommended):	22 Adc, Slow Blow Type
Insertion Loss:	1.0 Vdc Max. @ 20 amps °C
Input Surge Limit:	100 Vdc, 0.1 sec., 0.5 Ω per MIL-STD-1275A
Input Surge Limit:	±250 Vdc, 50μS, 15mJ, per MIL-STD-1275A
	±650 Vdc, 10μS, 50 Ω, per MIL-STD-704A
Reverse Polarity Protection:	Shunt Diode (Input Fuse Required)
No Load power Dissipation:	2.5 watts maximum
Efficiency:	90% to 97% from 14 to 36 Input Volts DC
Overvoltage Shutdown (Auto Recovery):	41 Vdc to 100 Vdc for > 100mS
Temperature:	
Operating:	-55°C to +100°C, baseplate
Storage:	-55°C to +125°C, ambient
Isolation - Input/Output to Case:	500 Vdc
Case Size:	2.5 X 3.5 X .85 inches
	63.5 X 88.9 X 21.6 mm
Weight:	9.6 oz, 270 grams
Environmental:	MIL-STD-810C
Insulation Resistance:	50 megohm min. @ 50V Input/Output to Case

Case Drawings



Dimensions (in/mm)

	A	B	C	D	E	F	H	J	J	K	L	M	N	O
in	2.50	3.50	0.85	3.100	0.20	0.20	0.4	2.100	0.46	2.05	1.55	0.45	1.05	0.093
mm	63.5	88.9	21.6	78.74	5.1	5.1	10.2	53.34	11.7	52.1	39.4	11.4	26.7	2.36

Tolerances: inches - X.XXX = ±0.015
 X.XX = ±0.03
 mm - X.XX = ±0.4
 X.X = ±0.8

Mounting: Standard: 4-40 THD inserts are provided in baseplate.
 Metric: M3 inserts

Material: Baseplate - Aluminum 6061-T6
 Case- Steel
 Case Finish - Nickel Plating per QQ-N-290
 Class 1 0.0006 THK Bright

All specifications are typical @+25°C with nominal input voltage under full output load conditions, unless otherwise noted. Specifications subject to change without notice.



The RB, RW and RM series of power supplies were designed as military grade, stand alone devices requiring no external components for operation. The entire series are 160 to 200 kHz, fixed frequency, switching power supplies. The series utilizes either push-pull forward or single ended forward converter topologies. Control is accomplished via pulse width modulation in a current mode control scheme.

These models are all encased in five sided steel enclosures to minimize radiated noise. All models in these series contain internal EMI filters for compliance to MIL-STD-461 for conducted emissions on the input leads. Certified tests reports characterizing EMI performance are available upon request. The RB, RW and RM series comply with the NAVMAT guidelines for component derating. Environmental Stress Screening (ESS) per the NAVMAT guidelines is also available as an option.

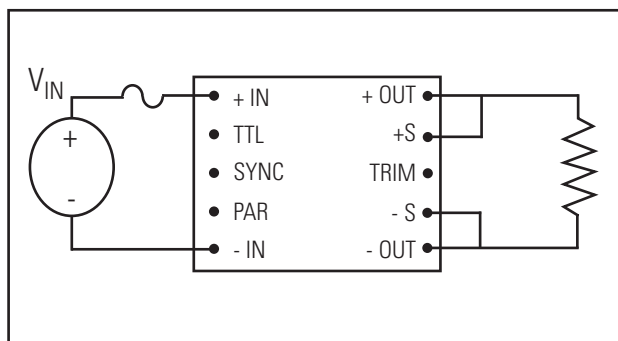


Figure 1

The most basic use of the power converter is shown in Figure 1. An input fuse is always recommended to protect both the source and the power supply in the event of failures. Bus fuse type MDX or equivalent slow-blow is recommended with a current rating approximately 200% of the full load input current to the converter. Having a slow-blow type fuse will allow for the converter's inrush charge at turn-on. The sense pins of the converter must be connected to their corresponding output bus. Inherently, power converters will have some internal energy loss, which is dissipated in the form of heat through an aluminum mounting surface. This surface must be cooled to maintain a temperature below the maximum operating temperature.

Wire Gauge and Distance to Load

If the resistance of the wire, printed circuit board runs or connectors used to connect a converter to system components is too high, excessive voltage drop will result between the converter and system components, degrading overall system performance.

For example, if the DC/DC converter in Figure 1a is a 50W unit (5 Vdc @ 10 Amps) with output load regulation specified at 0.2%; the connection as shown will degrade load regulation by a factor of 10. In this example, the 4 feet of #14 AWG wire used to connect the converter output to the load, has a total line resistance of 10mΩ (ignoring any contact resistance). For a 50W, 5 Vdc output converter, the drop across the lead resistance will be 100mV (10 A X 0.010Ω) or 2% of the output. Thus, the converter is selected for 0.2% regulation, but the power system layout achieves only 2.2%.

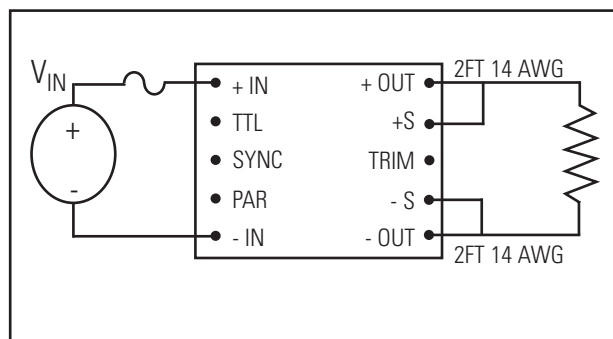


Figure 1a

This can be corrected by decreasing the distance between the converter output and load. If that is not possible, using larger diameter wire (see Table 1) or PCB runs that have a larger cross sectional area and shorter length will also reduce conductor resistance. The use of the converter's remote sense capability will also work (see remote sense for more information on this option).

Note: High IR drops between the converter and load may cause converter parameters (such as output voltage accuracy, remote sensing supplies, etc. to appear to be out of specification. High IR drops on input lines may cause start up problems (voltage at the input pins below the input range of the converter).



Obviously, any connections made to the power distribution bus present a similar problem. Poor connections (such as micocracking around solder joints) can cause serious problems such as arcing. Contact resistance must be minimized. Proper workmanship standards must be followed to insure reliable solder joints for board mount converters. Terminal strips, spade lugs and edge connectors must be free of any corrosion, dust or dirt. If parallel lines or connections are available for routing converter output currents, they should be utilized.

# AWG	Current Resistance (mΩ/Foot)	#AWG	Current Resistance (mΩ/Foot)
9	0.792	21	12.77
10	0.998	22	16.20
11	1.261	23	20.30
12	1.588	24	25.67
13	2.001	25	32.37
14	2.524	26	41.02
15	3.181	27	51.44
16	4.020	28	65.31
17	5.054	29	81.21
18	6.386	30	103.7
19	8.046	31	130.9
20	10.13	32	162.0

Table 1

Ripple and Noise

Output ripple and noise (sometimes referred to as PARD or "Periodic and Random Deviations") can be defined as unwanted variations in the output voltage of a power supply. In switching power supplies this output noise is seen as a series of pulses with a high frequency content and is therefore measured as peak value (i.e., specified as "peak-to-peak".)

The RB, RW, and RM series power supplies are specified and tested in our factory with a 25 MHz bandwidth oscilloscope. Measurements taken by a scope set a higher frequencies (i.e., 300 MHz) may produce significantly different results due to noise coupling on to the probe from sources other than the power supply.

The length of all measurements leads (especially the ground lead) should be minimized and the sense pins should be tied to their respective outputs (+Sense to +Vout). We recommend measurement as close to the power supply as possible. This can be accomplished by connecting a short bus wire (generally 0.5 inch or less, making a loop at the end to place at the probe) to the negative and positive outputs on the back side of the connector mate, then place the tip of the probe on the +output and the ground ring (or ground band) on the - output for a true ripple measurement. This is displayed in Figure 1b below.

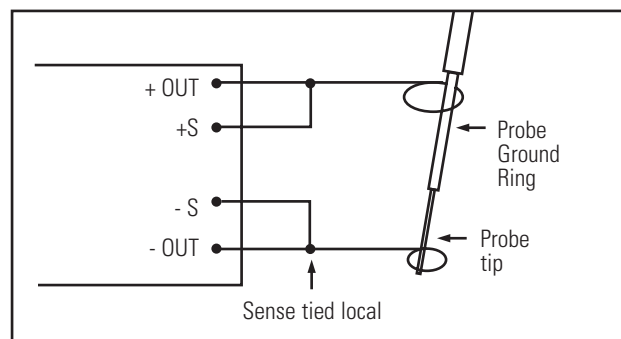


Figure 1b

Utilizing the probe ground ring (as opposed to a ground wire) will minimize the chance of noise coupling from sources other than the power supply. If this is not practical or possible then attached a 6 to 8 inches twisted pair wire to the outputs of the power supply and place a 10 to 20 μF tantalum capacitor (low ESR type, with an appropriate voltage rating) across the load. This test method is shown on Figure 1c.

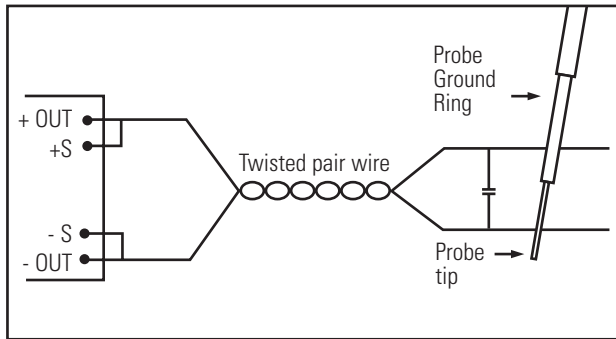


Figure 1c

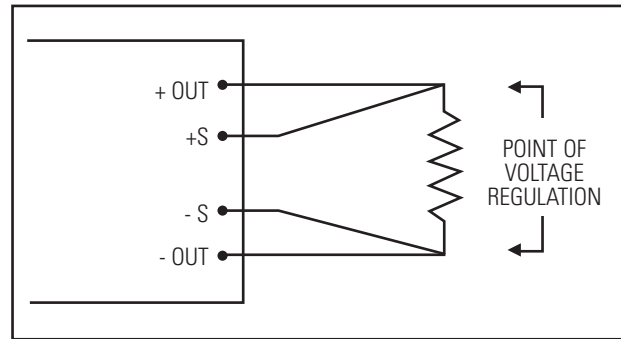


Figure 2: Remote Sense - Single Output

This test method will enable a remote measurement and eliminate any noise that may couple on to the extended leads coming off the converter.

Remote Sense

Remote sense pins, +S and -S have been provided on the RB, RW and RM Series for applications where precise load regulation is required a distance from where the converter is physically located. If remote sensing is NOT required, these pins **MUST BE tied** to their respective output pins (+S to +OUT, -S to -OUT). If one or more of these sense pins are not connected to their respective output pins, the output(s) of the unit will not regulate to within specification and may cause a high output voltage condition.

DO NOT connect sense pins to any pin other than their respective output pins or permanent damage will occur.

DO NOT disconnect the output pins while the sense pins are still tied to the load and powered or permanent damage will occur.

DO NOT connect sense pins to any load other than the same load the output pins are connected to or permanent damage may occur.

The internal remote sense circuit is designed to compensate for a maximum of 0.5 V difference (0.25 V in each output lead) in voltage between the load and the power converter. Longer output leads or traces are required to be of sufficient gauge or width to maintain the voltage drop across them of 0.5 V maximum at rated load current.

Parallel Operation

(100 and 200 Watt Modules only)

The RB, RW and RM Series have the capability of being paralleled to drive loads of higher power than a single unit can handle. The PAR pin is supplied on the unit for this function. If parallel operation of two or more units is required, the following precautions must be followed.

- Corresponding input and output leads or traces on each unit should be as equal in length and size as practical. The more equivalent the leads are the closer the current sharing.
- The leads connecting the PAR, +S and -S pins may need to be shielded to avoid high frequency noise interference in very high power applications.
- The PAR pins of all units should be tied together.

Or'ing diodes may be included in the positive output leads for true N+1 redundant systems, but are not necessary. Local sensing should be used whenever possible to minimize noise on +S and -S pins in parallel applications. Though this feature is available only on 100 and 200 watt modules, parallel operation can be between either (i.e. 100 watt unit tied to a 200 watt for 300 watts).

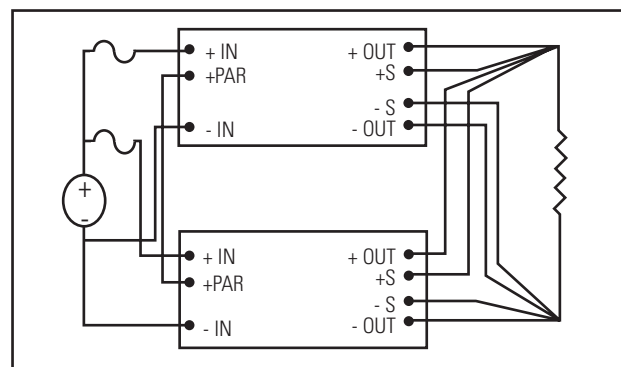


Figure 1c: Parallel Operation



Series Operation

The RB, RW and RM Series of power supplies may be arranged in a series operating mode to supply higher output voltages when required (see Figure 4). In this configuration D1 and D2 are added to protect against the application of a negative across the outputs of the power converters during power up and power down. The two (or more) units need not have the same output voltage, but the output current supplied in this configuration will be limited to the lowest maximum output current of the modules used.

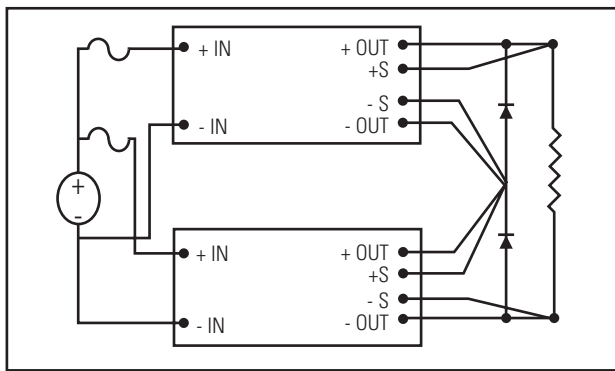


Figure 4: Series Operation

Dual Output (+/-) Operation (35 and 50 Watt Dual Outputs only)

The RB, RW and RM are available as dual (two channel) configurations for 35 and 50 watt modules (only). The two channels are completely independent and can be operated as either positive channels, negative channels or both (i.e., standard +/- configurations).

To operate the modules in the standard +/- configuration tie the positive rail of the first channel to the negative rail of the second channel and use this point as the reference ground as shown in Figure 5.

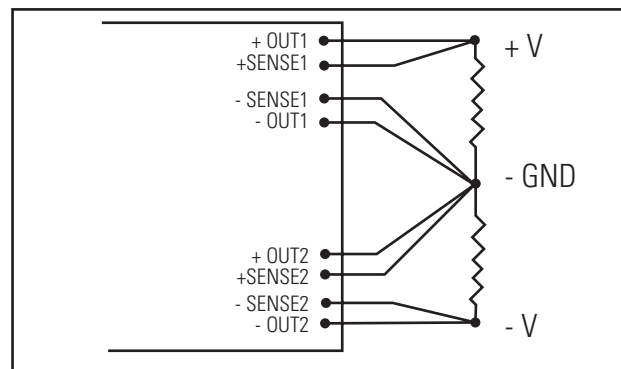


Figure 5: Dual Output (+/-) Operation

Additionally, since the modules offer two independent, isolated outputs it is possible to offer any combination of output voltages between 5 and 15 Vdc in one module i.e., a 5 Vdc and 5.2 Vdc in one common box. Consult factory for detail.



Remote On/Off

The RB/RW/RM Series contains a remote on/off (TTL) feature. This allows control of the output power using a TTL level signal. The RB/RW/RM series +TTL and -TTL pins are isolated from all other signals, allowing them to be referenced to either input or output grounds. The TTL pins are tied to the input of an optocoupler that is limited to 10 mA maximum at logic level 1 (or 5 volts) inputs.

The unit will be on if the TTL pins are left floating (untied) or if they are shorted together. The output remains on if a logic level 0 (less than 0.8 volts) is applied at the +TTL pin with respect to the -TTL pin. Application of a logic level 1 at the +TTL pin with respect to the -TTL pin will inhibit the output.

-ER Option

The “-ER” (Enhanced Reliability) option for the RB, RW and RM series upgrades the component parts from hermetic/Mil-grade to full military grade. Active devices upgrade to JAN, JANTX or MIL-STD-883 (wherever possible) and passive components upgrade to “M” level or better (wherever possible). The net result is typically a 2 to 3 times improvement in Mean Time Between Failure (MTBF) calculations per MIL-HDBK-217. No dimensions or electrical specifications will be changed. Exact calculations can be obtained displaying the impact of this option on the MTBF for a specific model. This option is not recommended for new designs. Please contact factory for details.

Military Specifications; Environmental Qualifications

Specification	Condition	Method	Procedure	Test Condition
MIL-STD-704D	Input Transient			Transients up to 50Vdc for 0.1 sec (28 Vdc input) Transients up to 180 Vac for 0.1 sec (115 Vac input)
MIL-STD-810C	Vibration	514.2	1	Up to +/- 15gs, each axis for 3 hours +E23
MIL-STD-810C	Humidity	507.3	1	95% humidity, non-condensing for 10 days
MIL-STD-810C	Temp/Altitude	504.1	1	-55°C to +71°C @ 70,000 feet (category 6)
MIL-STD-810C	Acceleration	513.2	2	14 gs each axis
MIL-STD-810C	Mechanical Shock	516.2	1	Up to 40gs, each axis for 11ms
MIL-S-901C	High Impact Shock			5 feet hammer drop, each axis

Certified test reports are available upon request.