



# Series AM

AC-DC / DC-DC Converters

**NOTE: THE AM SERIES IS NOT RECOMMENDED FOR NEW DESIGNS DUE TO PARTS OBSOLESCENCE. WE RECOMMEND THE RM SERIES AS A 100% COMPATIBLE DIRECT REPLACEMENT.**

50 watt  
triple output

50 watt  
single output



100 watt

The AM series AC-DC/DC-DC power supplies can accept a wide range of input powers making them true multiple input power supplies. The AM models are uniquely qualified for a variety of military applications where various international input powers may be encountered.



AC/DC

- Customer Selectable, Multiple inputs
- NAVMAT Guidelines
- Wireless Submodular Construction for High Reliability
- Current Mode Control
- Standard Current Limiting

Specifications

**Input:**

Inputs for 50 watt models:  
 103 - 127 Vac; 47 - 440 Hz. Single Phase or Three Phase (Delta, WYE) or 180 - 260 Vac; 47 - 440 Hz, Single Phase or Three Phase (Delta); 200 - 300 Vdc.  
 "S" version input ranges: 100 - 200 Vdc.  
 For this input range, add (S) to model number: AM50S/5-A(S).

Input for 100 watt models:  
 103 - 127 Vac, 47 - 440 Hz, 1  $\phi$ ;  
 206 - 254 Vac, 47 - 440 Hz, 1  $\phi$ ;  
 200 - 300 Vdc.

**Efficiency:**

65% minimum. Typically 75%. (Full load, room ambient).

**Power Factor:**

Single Phase, 115 Vac, 60 Hz: 0.61  
 Single Phase, 115 Vac, 400 Hz: 0.61  
 Single Phase, 220 Vac, 60Hz: 0.56  
 Single Phase, 220 Vac, 400 Hz: 0.66  
 Three Phase, 115 Vac, 60 Hz: 0.48  
 Three Phase, 115 Vac, 400 Hz: 0.53  
 Three Phase, 220 Vac, 60 Hz: 0.48  
 Three Phase, 220 Vac, 400 Hz: 0.53

**Line Regulation:**

Single or main: 0.1% or 10 mV, whichever is greater.  
 Auxiliaries:  $\pm$  15V: 100 mV maximum;  
 $\pm$  12V: 60 mV maximum.

**Load Regulation:**

Single or Main: 10 mV or 0.1%, whichever is greater.  
 Auxiliary outputs: 150 mV maximum.

**PARD (Noise and Ripple):**

25 mV rms, 100 mV P-P for 5 Vdc output and 50 mV rms, 200 mV P-P for other voltages; measured at 25 MHz bandwidth over temperature range.

**Isolation Voltage:**

1,000 Vdc, input to output;  
 1,000 Vdc, input to case;  
 200 Vdc, output to case for 50 watt unit and 500 Vdc, output to case for 100 watt unit.

**Parallelability:**

The 100 watt units allow for multiple

unit current sharing without the need for external components, via a single pin connection on each unit.

**Insulation Resistance:**

50 megohms between input and output, input and case, output and case, when measured at 50 Vdc.

**Temperature Range:**

Operating: -55°C to +100°C maximum, at center of the baseplate.  
 Storage: -55°C to +125°C, ambient.

**Temperature Coefficient:**

0.01%/°C maximum over entire temperature range.

**Input Transient Protection:**

Unit will not be damaged or exhibit degradation of performance when subjected to input transients in accordance with MIL-STD-704A, MIL-STD-704D and MIL-STD-1399, as applicable to corresponding input configurations. Consult your nearest sales office if further details are needed.

**Load Transient Recovery:**

Main output voltage returns to regulation limits within 0.5 ms after 50% change in load current.

**Load Transient Overshoot:**

0.5 V from nominal voltage set point, single and triple outputs.

**Short Circuit Protection:**

All outputs are completely protected against a short circuit of any duration. Outputs automatically restore to normal when overload is removed.

**Remote Sensing:**

Compensates for up to 0.5 volt drop in leads. (Single and main output only). Sense pins must be tied local (at connector) or remote (at load) for proper operation.

**Preload Requirements:** *(Triple output only)*

A one amp minimum load is required on the main or full load capabilities on the

auxiliaries.

**Remote Inhibit:**

Provides for remote turn on/off with TTL logical signal. Application of TTL Signal (logic 1) will inhibit the outputs. 10 mA required current (@5 Vdc).

**Electromagnetic Interference:**

Units, when tested in accordance with MIL-STD-462, meets or minimizes the majority of the requirements of MIL-STD-461C for conducted and radiated, emission and susceptibility, for Part 2, Class A1b equipment for input power leads, with different levels of compliance under each input configuration. For further details regarding levels and extend of compliance in each class, input configuration, or requirement, consult factory. Certified test reports available upon request.

**Switching Frequency:**

160 to 200 kHz fixed.

**Reliability:**

The Mean Time Between Failure (MTBF) is calculated per MIL-HDBK-217E at 50°C baseplate temperature with maximum operating input voltage and maximum rated output power. The MTBF for AM50S at ground benign environment is 160,300 hours and 20,200 for naval sheltered environment. With the -ER option, MTBF was calculated to be 240,000 hours at ground benign and 25,000 for naval sheltered. Please consult factory for additional environments and models.

**Environment:**

Units meet MIL-STD-810D altitude, shock, acceleration, vibration and MIL-STD-901C high-impact shock requirements. For information, please consult factory. Certified test reports available upon request.

**Hook up:**

Via D-Subminiature Connectors, M24308/24 type.



## Options

### -883 Screening

Unit undergoes environmental screening based upon the parameters outlined in MIL-STD-883 and NAVMAT 4855-1. The screening consists of :

- 1.) Stabilization Bake: +125°C for 24 hours per MII-STD-883, M1008.2 Condition B.
- 2.) Temperature Cycling (non-operational): 10 cycles min., at -55°C to +125°C, 36 minute transition with 1 hour dwell at each temperature extreme. Procedure reference MII-STD-883, M1010, Condition B and NAVMAT P4855-1.
- 3.) Long Term Operational Burn In: 160 hours of powered operation under load. Modules are continuously cycled from +85°C to thermal shut down point (+105°C) during the 160 hours.

### Ruggedized

COTS readily available components are utilized. Contact factory for details.

### Environmental Stress Screening

Environmental Stress Screening (ESS) including random vibration and thermal cycling (per the NAVMAT guidelines) is available. Consult factory for details.

### Enhanced Reliability

ER Options provides increased reliability by using higher levels of military grade components (to order, add "-ER" after model number, i.e., AM100S/15-A-ER). (Not recommended for new designs.)

## Single Output

Nominal Output Voltage	Output Current (Amps)	Weight <sup>1</sup> (oz.)	Weight <sup>1</sup> (Grams)	Model Number
5	10	12	340	AM50S/5-A
	20	28	775	AM100S/5-A
5.2	9.62	12	340	AM50S/5.2-A
	19.23	28	775	AM100S/5.2-A
12	4.17	12	340	AM50S/12-A
	8.33	28	775	AM100S/12-A
15	3.33	12	340	AM50S/15-A
	6.67	28	775	AM100S/15-A
24	2.08	12	340	AM50S/24-A
	4.16	28	775	AM100S/24-A
28	1.79	12	340	AM50S/28-A
	3.57	28	775	AM100S/28-A

Set Point Accuracy: 50 mV or 0.5%, whichever is greater

## Triple Output

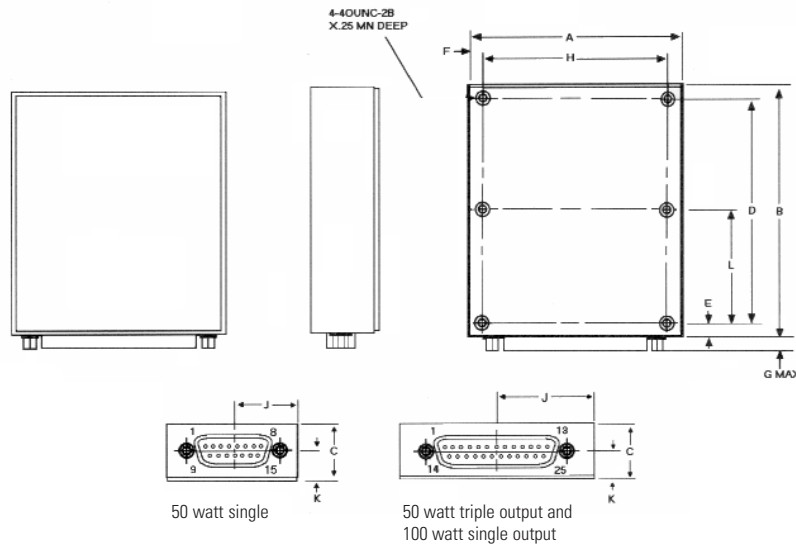
Nominal Output Voltage	Output Current (Amps)	Output Voltage (Aux)	Output Current (Aux)	Weight <sup>1</sup> (oz.)	Weight <sup>1</sup> (Grams)	Model Number
5	7.0	± 12	0.63	15	410	AM50T/5/12-A
		± 15	0.5	15	410	AM50T/5/15-A

Set Point Accuracy: Main ±50 mV  
Aux ±500 mV

<sup>1</sup> Maximum weight



Case Drawings



Dimensions (in/mm)

Models	A	B	C	D	E	F	G	H	J	K	L
AM50S	3.25 82.6	4.25 108.0	.85 21.6	3.850 97.79	.20 5.1	.20 5.1	.25 6.4	2.850 72.39	1.63 41.4	.46 11.7	N/A N/A
AM50T	3.50 88.9	4.50 114.3	.85 21.6	4.100 104.14	.20 5.1	.20 5.1	.25 6.4	3.100 78.74	1.75 44.5	.46 11.7	N/A N/A
AM100S	4.25 108.0	6.00 152.4	.85 21.6	5.600 142.24	.20 5.1	.20 5.1	.25 6.4	3.850 97.79	2.13 54.0	.46 11.7	2.800 71.12

**Tolerances:** inches - X.XXX = ±0.015  
                   X.XX = ±0.03  
 mm - X.XX = ±0.4  
               X.X = ±0.8

**Material:** Base - Aluminum 5052-H32  
 Case- 26 Gauge Steel (cold rolled)  
 Case Finish - Nickel Plating

**Mounting:** Standard: 4-40 THD inserts 1/4" min. depth are provided in baseplate. Steel 4-40 bolts American Standard, unified national coarse series, slotted studs are supplied with each unit.

Metric: M2.5 inserts. To order insert an "I" after the "A" in the model number, i.e. AM50S/12-AI.

\* Number of mounting holes: 6 places for the 50 watt model, 6 places for the 100 watt models



## Pin Designations

### Single Output

Model:	<b>AM50S</b>			
Connector:	DAMME15PF			
Mate:	DAMM15S			
1. + Input	4. + TTL	7. + Output	10. - Input	13. - Output
2. Input (N)	5. + Sense <sup>2</sup>	8. + Output	11. Ground	14. - Output
3. - TTL	6. + Output	9. - Input	12. - Sense <sup>2</sup>	15. - Output

### Triple Output

Model:	<b>AM50T</b>			
Connector:	DBMME25PF			
Mate:	DBMM25S			
1. + Input	6. + AUX	11. + Output	16. N/C	21. N/C
2. Input (N)	7. AUX COM	12. + Output	17. Ground	22. - Sense <sup>2</sup>
3. NC	8. AUX COM	13. + Output	18. N/C	23. - Output
4. - TTL	9. - AUX	14. - Input	19. N/C	24. - Output
5. + TTL	10. + Sense <sup>2</sup>	15. - Input	20. N/C	25. - Output

### Single Output

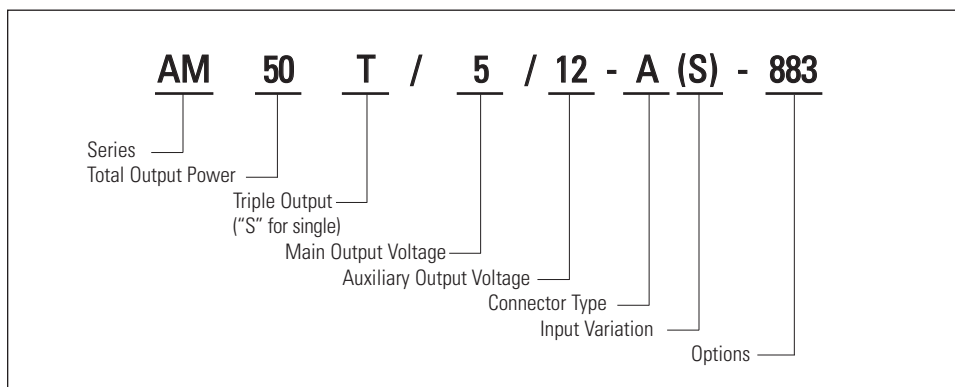
Model:	<b>AM100S</b>			
Connector:	DBMME25PF			
Mate:	DBMM25S			
1. + Input	6. + TTL	11. - Sense <sup>2</sup>	16. - Input	21. + Output
2. + Input	7. - TTL	12. - Output	17. Ground	22. - Output
3. - Input	8. + Output	13. - Output	18. + Output	23. - Output
4. Parallel <sup>1</sup>	9. + Output	14. Input	19. + Output	24. - Output
5. Parallel <sup>1</sup>	10. + Sense <sup>2</sup>	15. Input	20. + Output	25. - Output

<sup>1</sup> Parallel pins are internally connected and redundant. Either pin can be used for single pin parallelability or either pin can be left open and unused.

<sup>2</sup> Sense pins must be tied either locally (at connector) or remote (at load) for proper operation.



How to order



Input Current  
(Typical Amps)

Model	Output Load	Low Line	High Line
AM50S/270 Vdc	50%	0.42	0.14
	100%	0.76	0.26
AM50T/270 Vdc	50%	0.50	0.16
	100%	0.76	0.26
AM50S/115 Vac	50%	0.75	0.50
	100%	1.25	1.00
AM50T/115 Vac	50%	0.79	0.54
	100%	1.30	1.10
AM100S/115 Vac	50%	1.35	1.10
	100%	2.50	2.00

Input Fuse: To protect your power supply source and the Martek Power Abbott converter always insert a fuse between the source and the module's "high" input pin(s). Bus fuse type MDX or equivalent slow blow is recommended. Fuse value is indicated on label of module; typically 2 times low line input current value at full load (100%).





The AB, AW and AM series of power supplies were designed as military grade, stand alone devices requiring no external components for operation. The entire series are 160 to 200 kHz, fixed frequency, switching power supplies. The series utilizes either push-pull forward or single ended forward converter topologies. Control is accomplished via pulse width modulation in a current mode control scheme.

These models are all encased in five sided steel enclosures to minimize radiated noise. All models in these series contain internal EMI filters for compliance to MIL-STD-461 for conducted emissions on the input leads. Certified tests reports characterizing EMI performance are available upon request. The AB, AW and AM series comply with the NAVMAT guidelines for component derating. Environmental Stress Screening (ESS) per the NAVMAT guidelines is also available as an option.

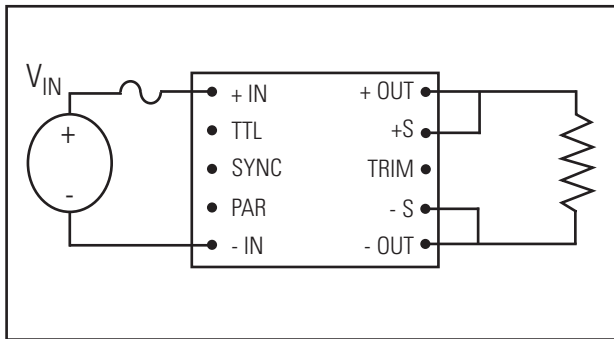


Figure 1

The most basic use of the power converter is shown in Figure 1. An input fuse is always recommended to protect both the source and the power supply in the event of failures. Bus fuse type MDX or equivalent slow-blow is recommended with a current rating approximately 200% of the full load input current to the converter. Having a slow-blow type fuse will allow for the converter's inrush charge at turn-on. The sense pins of the converter must be connected to their corresponding output bus. Inherently, power converters will have some internal energy loss, which is dissipated in the form of heat through an aluminum mounting surface. This surface must be cooled to maintain a temperature below the maximum operating temperature.

## Wire Gauge and Distance to Load

If the resistance of the wire, printed circuit board runs or connectors used to connect a converter to system components is too high, excessive voltage drop will result between the converter and system components, degrading overall system performance.

For example, if the DC/DC converter in Figure 1a is a 50W unit (5 Vdc @ 10 Amps) with output load regulation specified at 0.2%; the connection as shown will degrade load regulation by a factor of 10. In this example, the 4 feet of #14 AWG wire used to connect the converter output to the load, has a total line resistance of 10mΩ (ignoring any contact resistance). For a 50W, 5 Vdc output converter, the drop across the lead resistance will be 100mV (10 A X 0.010Ω) or 2% of the output. Thus, the converter is selected for 0.2% regulation, but the power system layout achieves only 2.2%.

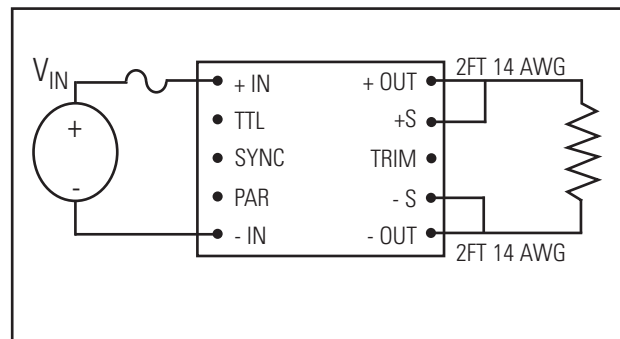


Figure 1a

This can be corrected by decreasing the distance between the converter output and load. If that is not possible, using larger diameter wire (see Table 1) or PCB runs that have a larger cross sectional area and shorter length will also reduce conductor resistance. The use of the converter's remote sense capability will also work (see remote sense for more information on this option).

**Note:** High IR drops between the converter and load may cause converter parameters (such as output voltage accuracy, remote sensing supplies, etc.) to appear to be out of specification. High IR drops on input lines may cause start up problems (voltage at the input pins below the input range of the converter).



Obviously, any connections made to the power distribution bus present a similar problem. Poor connections (such as micocracking around solder joints) can cause serious problems such as arcing. Contact resistance must be minimized. Proper workmanship standards must be followed to insure reliable solder joints for board mount converters. Terminal strips, spade lugs and edge connectors must be free of any corrosion, dust or dirt. If parallel lines or connections are available for routing converter output currents, they should be utilized.

# AWG	Current Resistance (mΩ/Foot)	#AWG	Current Resistance (mΩ/Foot)
9	0.792	21	12.77
10	0.998	22	16.20
11	1.261	23	20.30
12	1.588	24	25.67
13	2.001	25	32.37
14	2.524	26	41.02
15	3.181	27	51.44
16	4.020	28	65.31
17	5.054	29	81.21
18	6.386	30	103.7
19	8.046	31	130.9
20	10.13	32	162.0

Table 1

## Ripple and Noise

Output ripple and noise (sometimes referred to as PARD or "Periodic and Random Deviations") can be defined as unwanted variations in the output voltage of a power supply. In switching power supplies this output noise is seen as a series of pulses with a high frequency content and is therefore measured as peak value (i.e., specified as "peak-to-peak".)

The AB, AW, and AM series power supplies are specified and tested in our factory with a 25 MHz bandwidth oscilloscope. Measurements taken by a scope set a higher frequencies (i.e., 300 MHz) may produce significantly different results due to noise coupling on to the probe from sources other than the power supply.

The length of all measurements leads (especially the ground lead) should be minimized and the sense pins should be tied to their respective outputs (+Sense to +Vout). We recommend measurement as close to the power supply as possible. This can be accomplished by connecting a short bus wire (generally 0.5 inch or less, making a loop at the end to place at the probe) to the negative and positive outputs on the back side of the connector mate, then place the tip of the probe on the +output and the ground ring (or ground band) on the - output for a true ripple measurement. This is displayed in Figure 1b below.

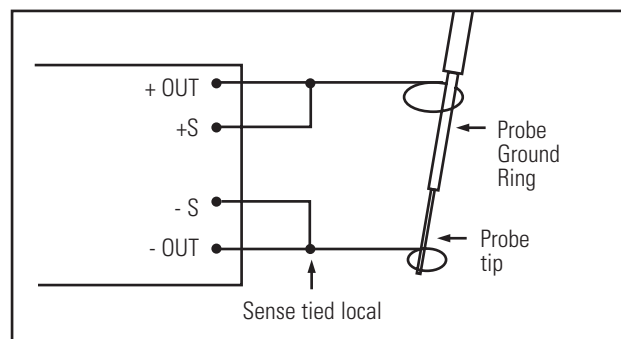


Figure 1b

Utilizing the probe ground ring (as opposed to a ground wire) will minimize the chance of noise coupling from sources other than the power supply. If this is not practical or possible then attached a 6 to 8 inches twisted pair wire to the outputs of the power supply and place a 10 to 20 μF tantalum capacitor (low ESR type, with an appropriate voltage rating) across the load. This test method is shown on Figure 1c.



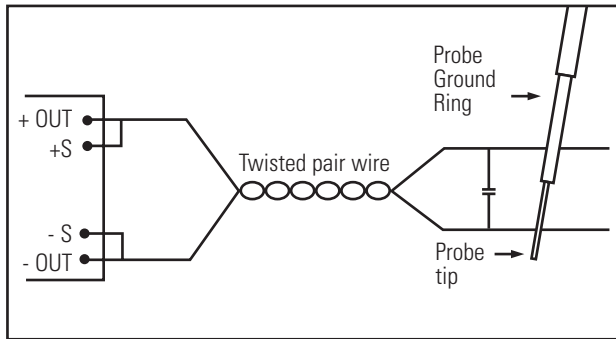


Figure 1c

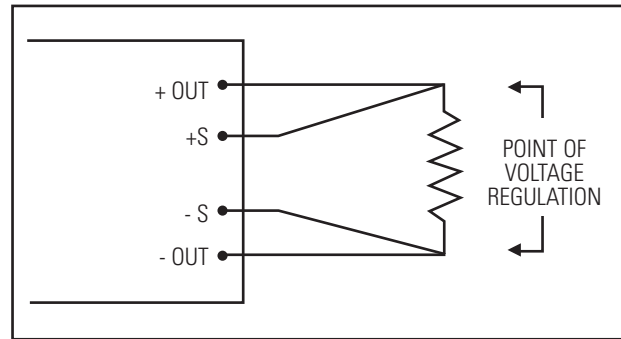


Figure 2: Remote Sense - Single Output

This test method will enable a remote measurement and eliminate any noise that may couple on to the extended leads coming off the converter.

## Remote Sense

Remote sense pins, +S and -S have been provided on the AB, AW and AM Series for applications where precise load regulation is required a distance from where the converter is physically located. If remote sensing is NOT required, these pins **MUST BE tied** to their respective output pins (+S to +OUT, -S to -OUT). If one or more of these sense pins are not connected to their respective output pins, the output(s) of the unit will not regulate to within specification and may cause a high output voltage condition.

**DO NOT** connect sense pins to any pin other than their respective output pins or permanent damage will occur.

**DO NOT** disconnect the output pins while the sense pins are still tied to the load and powered or permanent damage will occur.

**DO NOT** connect sense pins to any load other than the same load the output pins are connected to or permanent damage may occur.

The internal remote sense circuit is designed to compensate for a maximum of 0.5 V difference (0.25 V in each output lead) in voltage between the load and the power converter. Longer output leads or traces are required to be of sufficient gauge or width to maintain the voltage drop across them of 0.5 V maximum at rated load current.

## Parallel Operation

(100 and 200 Watt Modules only)

The AB, AW and AM Series have the capability of being paralleled to drive loads of higher power than a single unit can handle. The PAR pin is supplied on the unit for this function. If parallel operation of two or more units is required, the following precautions must be followed.

- Corresponding input and output leads or traces on each unit should be as equal in length and size as practical. The more equivalent the leads are the closer the current sharing.
- The leads connecting the PAR, +S and -S pins may need to be shielded to avoid high frequency noise interference in very high power applications.
- The PAR pins of all units should be tied together.

Or'ing diodes may be included in the positive output leads for true N+1 redundant systems, but are not necessary. Local sensing should be used whenever possible to minimize noise on +S and -S pins in parallel applications. Though this feature is available only on 100 and 200 watt modules, parallel operation can be between either (i.e. 100 watt unit tied to a 200 watt for 300 watts).

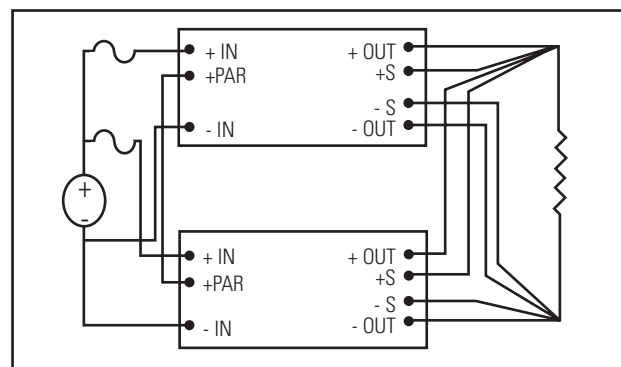


Figure 1c: Parallel Operation



## Series Operation

The AB, AW and AM Series of power supplies may be arranged in a series operating mode to supply higher output voltages when required (see Figure 4). In this configuration D1 and D2 are added to protect against the application of a negative across the outputs of the power converters during power up and power down. The two (or more) units need not have the same output voltage, but the output current supplied in this configuration will be limited to the lowest maximum output current of the modules used.

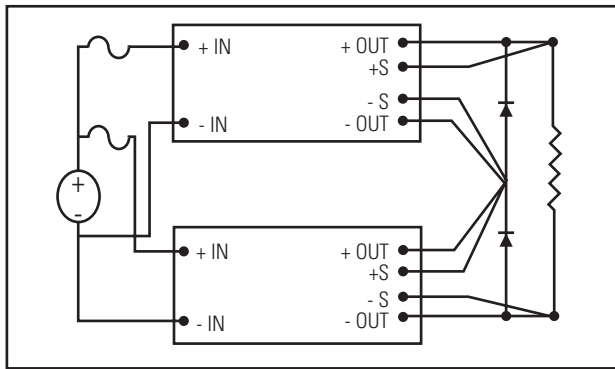


Figure 4: Series Operation

## Dual Output (+/-) Operation

(35 and 50 Watt Dual Outputs only)

The AB, AW and AM are available as dual (two channel) configurations for 35 and 50 watt modules (only). The two channels are completely independent and can be operated as either positive channels, negative channels or both (i.e., standard +/- configurations).

To operate the modules in the standard +/- configuration tie the positive rail of the first channel to the negative rail of the second channel and use this point as the reference ground as shown in Figure 5.

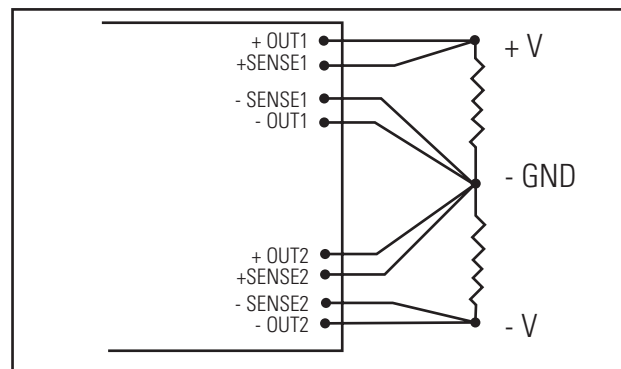


Figure 5: Dual Output (+/-) Operation

Additionally, since the modules offer two independent, isolated outputs it is possible to offer any combination of output voltages between 5 and 15 Vdc in one module i.e., a 5 Vdc and 5.2 Vdc in one common box. Consult factory for detail.



## Remote On/Off

The AB/AW/AM Series contains a remote on/off (TTL) feature. This allows control of the output power using a TTL level signal. The AB/AW/AM series +TTL and -TTL pins are isolated from all other signals, allowing them to be referenced to either input or output grounds. The TTL pins are tied to the input of an optocoupler that is limited to 10 mA maximum at logic level 1 (or 5 volts) inputs.

The unit will be on if the TTL pins are left floating (untied) or if they are shorted together. The output remains on if a logic level 0 (less than 0.8 volts) is applied at the +TTL pin with respect to the -TTL pin. Application of a logic level 1 at the +TTL pin with respect to the -TTL pin will inhibit the output.

## -ER Option

The “-ER” (Enhanced Reliability) option for the AB, AW and AM series upgrades the component parts from hermetic/Mil-grade to full military grade. Active devices upgrade to JAN, JANTX or MIL-STD-883 (wherever possible) and passive components upgrade to “M” level or better (wherever possible). The net result is typically a 2 to 3 times improvement in Mean Time Between Failure (MTBF) calculations per MIL-HDBK-217. No dimensions or electrical specifications will be changed. Exact calculations can be obtained displaying the impact of this option on the MTBF for a specific model. This option is not recommended for new designs. Please contact factory for details.

### Military Specifications; Environmental Qualifications

Specification	Condition	Method	Procedure	Test Condition
MIL-STD-704D	Input Transient			Transients up to 50Vdc for 0.1 sec (28 Vdc input) Transients up to 180 Vac for 0.1 sec (115 Vac input)
MIL-STD-810C	Vibration	514.2	1	Up to +/- 15gs, each axis for 3 hours +E23
MIL-STD-810C	Humidity	507.3	1	95% humidity, non-condensing for 10 days
MIL-STD-810C	Temp/Altitude	504.1	1	-55°C to +71°C @ 70,000 feet (category 6)
MIL-STD-810C	Acceleration	513.2	2	14 gs each axis
MIL-STD-810C	Mechanical Shock	516.2	1	Up to 40gs, each axis for 11ms
MIL-S-901C	High Impact Shock			5 feet hammer drop, each axis

Certified test reports are available upon request.



# Series RM

AC-DC / DC-DC Converters

50 watt  
triple output

50 watt  
single output



100 watt

The RM series AC-DC/DC-DC power supplies can accept a wide range of input powers making them true multiple input power supplies. The RM models are uniquely qualified for a variety of military applications where various international input powers may be encountered.



AC/DC

- Customer Selectable, Multiple inputs
- Wireless Submodular Construction for High Reliability
- Current Mode Control
- NAVMAT Guidelines
- Standard Current Limiting

Specifications

**Input:**

Inputs for 50 watt models:  
 103 - 127 Vac; 47 - 440 Hz. Singe Phase or Three Phase (Delta, WYE) or 180 - 260 Vac; 47 - 440 Hz, Singe Phase or Three Phase (Delta); 200 - 300 Vdc.  
 "S" version input ranges: 100 - 200 Vdc. For this input range, add (S) to model number: RM50S/5-A(S).  
 Input for 100 watt models:  
 103 - 127 Vac, 47 - 440 Hz, 1 ∅;  
 206 - 254 Vac, 47 - 440 Hz, 1 ∅;  
 200 - 300 Vdc.

**Efficiency:**

65% minimum. Typically 75%. (Full load, room ambient).

**Power Factor:**

Single Phase, 115 Vac, 60 Hz: 0.61  
 Single Phase, 115 Vac, 400 Hz: 0.61  
 Single Phase, 220 Vac, 60Hz: 0.56  
 Single Phase, 220 Vac, 400 Hz: 0.66  
 Three Phase, 115 Vac, 60 Hz: 0.48  
 Three Phase, 115 Vac, 400 Hz: 0.53  
 Three Phase, 220 Vac, 60 Hz: 0.48  
 Three Phase, 220 Vac, 400 Hz: 0.53

**Line Regulation:**

Single or main: 0.1% or 10 mV, whichever is greater.  
 Auxiliaries: ± 15V: 100 mV maximum;  
 ± 12V: 60 mV maximum.

**Load Regulation:**

Single or Main: 10 mV or 0.1%, whichever is greater.  
 Auxiliary outputs: 150 mV maximum.

**PARD (Noise and Ripple):**

25 mV rms, 100 mV P-P for 5 Vdc output and 50 mV rms, 200 mV P-P for other voltages; measured at 25 MHz bandwidth over temperature range.

**Isolation Voltage:**

1,000 Vdc, input to output;  
 1,000 Vdc, input to case;  
 200 Vdc, output to case for 50 watt unit and 500 Vdc, output to case for 100 watt unit.

**Parallelability:**

The 100 watt units allow for multiple

unit current sharing without the need for external components, via a single pin connection on each unit.

**Insulation Resistance:**

50 megohms between input and output, input and case, output and case, when measured at 50 Vdc.

**Temperature Range:**

Operating: -55°C to +100°C maximum, at center of the baseplate.  
 Storage: -55°C to +125°C, ambient.

**Temperature Coefficient:**

0.01%/°C maximum over entire temperature range.

**Input Transient Protection:**

Unit will not be damaged or exhibit degradation of performance when subjected to input transients in accordance with MIL-STD-704A, MIL-STD-704D and MIL-STD-1399, as applicable to corresponding input configurations. Consult your nearest sales office if further details are needed.

**Load Transient Recovery:**

Main output voltage returns to regulation limits within 0.5 mS after 50% change in load current.

**Load Transient Overshoot:**

0.5 V from nominal voltage set point, single and triple outputs.

**Short Circuit Protection:**

All outputs are completely protected against a short circuit of any duration. Outputs automatically restore to normal when overload is removed.

**Remote Sensing:**

Compensates for up to 0.5 volt drop in leads. (Single and main output only). Sense pins must be tied local (at connector) or remote (at load) for proper operation.

**Preload Requirements:** *(Triple output only)*

A one amp minimum load is required on the main or full load capabilities on the

auxiliaries.

**Remote Inhibit:**

Provides for remote turn on/off with TTL logical signal. Application of TTL Signal (logic 1) will inhibit the outputs. 10 mA required current (@5 Vdc).

**Electromagnetic Interference:**

Units, when tested in accordance with MIL-STD-462, meets or minimizes the majority of the requirements of MIL-STD-461C for conducted and radiated, emission and susceptibility, for Part 2, Class A1b equipment for input power leads, with different levels of compliance under each input configuration. For further details regarding levels and extend of compliance in each class, input configuration, or requirement, consult factory. Certified test reports available upon request.

**Switching Frequency:**

160 to 200 kHz fixed.

**Reliability:**

The Mean Time Between Failure (MTBF) is calculated per MIL-HDBK-217E at 50°C baseplate temperature with maximum operating input voltage and maximum rated output power. The MTBF for AM50S at ground benign environment is 144,270 hours and 18,180 for naval sheltered environment. With the -ER option, MTBF was calculated to be 216,000 hours at ground benign and 22,500 for naval sheltered. Please consult factory for additional environments and models.

**Environment:**

Units meet MIL-STD-810D altitude, shock, acceleration, vibration and MIL-STD-901C high-impact shock requirements. For information, please consult factory. Certified test reports available upon request.

**Hook up:**

Via D-Subminiature Connectors, M24308/24 type.



## Options

### -883 Screening

Unit undergoes environmental screening based upon the parameters outlined in MIL-STD-883 and NAVMAT 4855-1. The screening consists of :

- 1.) Stabilization Bake: +125°C for 24 hours per MII-STD-883, M1008.2 Condition B.
- 2.) Temperature Cycling (non-operational): 10 cycles min., at -55°C to +125°C, 36 minute transition with 1 hour dwell at each temperature extreme. Procedure reference MII-STD-883, M1010, Condition B and NAVMAT P4855-1.
- 3.) Long Term Operational Burn In: 160 hours of powered operation under load. Modules are continuously cycled from +85°C to thermal shut down point (+105°C) during the 160 hours.

### Ruggedized

COTS readily available components are utilized. Contact factory for details.

### Environmental Stress Screening

Environmental Stress Screening (ESS) including random vibration and thermal cycling (per the NAVMAT guidelines) is available. Consult factory for details.

### Enhanced Reliability

ER Options provides increased reliability by using higher levels of military grade components (to order, add "-ER" after model number, i.e., RM100S/15-A-ER). (Not recommended for new designs.)

## Single Output

Nominal Output Voltage	Output Current (Amps)	Weight <sup>1</sup> (oz.)	Weight <sup>1</sup> (Grams)	Model Number
5	10	12	340	RM50S/5-A
	20	28	775	RM100S/5-A
5.2	9.62	12	340	RM50S/5.2-A
	19.23	28	775	RM100S/5.2-A
12	4.17	12	340	RM50S/12-A
	8.33	28	775	RM100S/12-A
15	3.33	12	340	RM50S/15-A
	6.67	28	775	RM100S/15-A
24	2.08	12	340	RM50S/24-A
	4.16	28	775	RM100S/24-A
28	1.79	12	340	RM50S/28-A
	3.57	28	775	RM100S/28-A

Set Point Accuracy: 50 mV or 0.5%, whichever is greater

## Triple Output

Nominal Output Voltage	Output Current (Amps)	Output Voltage (Aux)	Output Current (Aux)	Weight <sup>1</sup> (oz.)	Weight <sup>1</sup> (Grams)	Model Number
5	7.0	± 12	0.63	15	410	RM50T/5/12-A
		± 15	0.5	15	410	RM50T/5/15-A

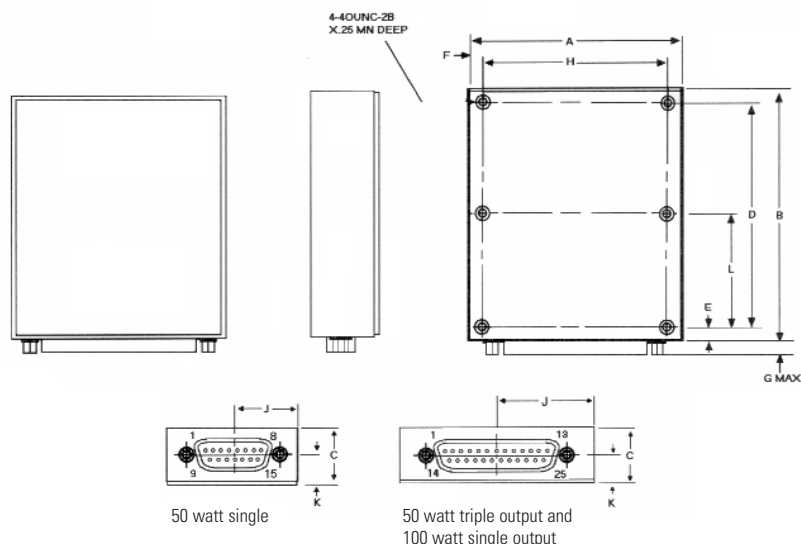
Set Point Accuracy: Main ±50 mV  
Aux ±500 mV

<sup>1</sup> Maximum weight





Case Drawings



Dimensions (in/mm)

Models	A	B	C	D	E	F	G	H	J	K	L
RM50S	3.25	4.25	.85	3.850	.20	.20	.25	2.850	1.63	.46	N/A
	82.6	108.0	21.6	97.79	5.1	5.1	6.4	72.39	41.4	11.7	N/A
RM50T	3.50	4.50	.85	4.100	.20	.20	.25	3.100	1.75	.46	N/A
	88.9	114.3	21.6	104.14	5.1	5.1	6.4	78.74	44.5	11.7	N/A
RM100S	4.25	6.00	.85	5.600	.20	.20	.25	3.850	2.13	.46	2.800
	108.0	152.4	21.6	142.24	5.1	5.1	6.4	97.79	54.0	11.7	71.12

**Tolerances:** inches - X.XXX = ±0.015  
                   X.XX = ±0.03  
 mm - X.XX = ±0.4  
               X.X = ±0.8

**Material:** Base - Aluminum 5052-H32  
 Case- 26 Gauge Steel (cold rolled)  
 Case Finish - Nickel Plating

**Mounting:** Standard: 4-40 THD inserts 1/4" min. depth are provided in baseplate. Steel 4-40 bolts American Standard, unified national coarse series, slotted studs are supplied with each unit.

Metric: M2.5 inserts. To order insert an "I" after the "A" in the model number, i.e. RM50S/12-AI.

\* Number of mounting holes: 6 places for the 50 watt model, 6 places for the 100 watt models



## Pin Designations

### Single Output

Model:	<b>RM50S</b>			
Connector:	DAMME15PF			
Mate:	DAMM15S			
1. + Input	4. + TTL	7. + Output	10. - Input	13. - Output
2. Input (N)	5. + Sense <sup>2</sup>	8. + Output	11. Ground	14. - Output
3. - TTL	6. + Output	9. - Input	12. - Sense <sup>2</sup>	15. - Output

### Triple Output

Model:	<b>RM50T</b>			
Connector:	DBMME25PF			
Mate:	DBMM25S			
1. + Input	6. + AUX	11. + Output	16. N/C	21. N/C
2. Input (N)	7. AUX COM	12. + Output	17. Ground	22. - Sense <sup>2</sup>
3. NC	8. AUX COM	13. + Output	18. N/C	23. - Output
4. - TTL	9. - AUX	14. - Input	19. N/C	24. - Output
5. + TTL	10. + Sense <sup>2</sup>	15. - Input	20. N/C	25. - Output

### Single Output

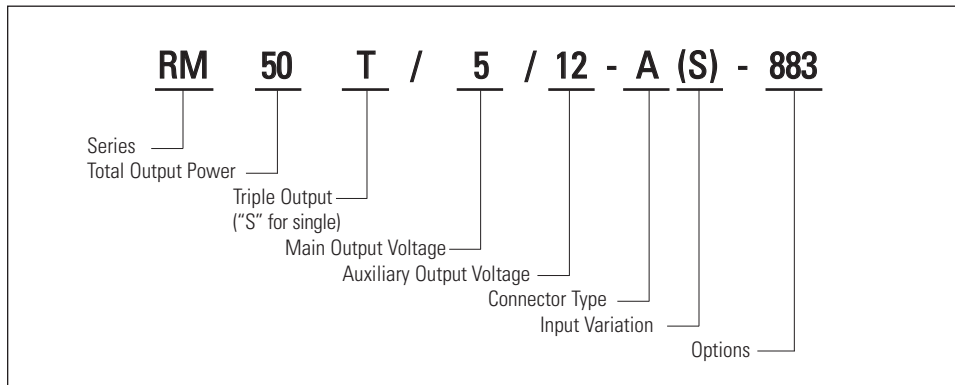
Model:	<b>RM100S</b>			
Connector:	DBMME25PF			
Mate:	DBMM25S			
1. + Input	6. + TTL	11. - Sense <sup>2</sup>	16. - Input	21. + Output
2. + Input	7. - TTL	12. - Output	17. Ground	22. - Output
3. - Input	8. + Output	13. - Output	18. + Output	23. - Output
4. Parallel <sup>1</sup>	9. + Output	14. Input	19. + Output	24. - Output
5. Parallel <sup>1</sup>	10. + Sense <sup>2</sup>	15. Input	20. + Output	25. - Output

<sup>1</sup> Parallel pins are internally connected and redundant. Either pin can be used for single pin parallelability or either pin can be left open and unused.

<sup>2</sup> Sense pins must be tied either locally (at connector) or remote (at load) for proper operation.



How to order



Input Current

(Typical Amps)

Model	Output Load	Low Line	High Line
RM50S/270 Vdc	50%	0.42	0.14
	100%	0.76	0.26
RM50T/270 Vdc	50%	0.50	0.16
	100%	0.76	0.26
RM50S/115 Vac	50%	0.75	0.50
	100%	1.25	1.00
RM50T/115 Vac	50%	0.79	0.54
	100%	1.30	1.10
RM100S/115 Vac	50%	1.35	1.10
	100%	2.50	2.00

Input Fuse: To protect your power supply source and the Martek Power Abbott converter always insert a fuse between the source and the module's "high" input pin(s). Bus fuse type MDX or equivalent slow blow is recommended. Fuse value is indicated on label of module; typically 2 times low line input current value at full load (100%).



The RB, RW and RM series of power supplies were designed as military grade, stand alone devices requiring no external components for operation. The entire series are 160 to 200 kHz, fixed frequency, switching power supplies. The series utilizes either push-pull forward or single ended forward converter topologies. Control is accomplished via pulse width modulation in a current mode control scheme.

These models are all encased in five sided steel enclosures to minimize radiated noise. All models in these series contain internal EMI filters for compliance to MIL-STD-461 for conducted emissions on the input leads. Certified tests reports characterizing EMI performance are available upon request. The RB, RW and RM series comply with the NAVMAT guidelines for component derating. Environmental Stress Screening (ESS) per the NAVMAT guidelines is also available as an option.

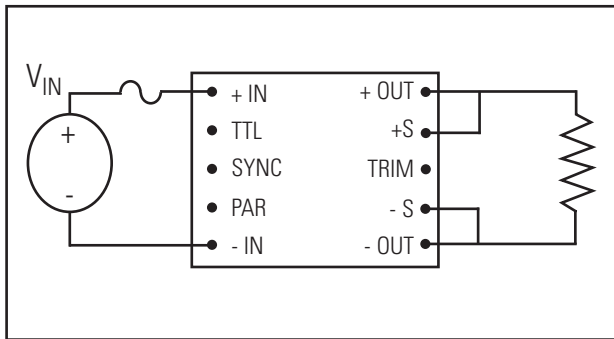


Figure 1

The most basic use of the power converter is shown in Figure 1. An input fuse is always recommended to protect both the source and the power supply in the event of failures. Bus fuse type MDX or equivalent slow-blow is recommended with a current rating approximately 200% of the full load input current to the converter. Having a slow-blow type fuse will allow for the converter's inrush charge at turn-on. The sense pins of the converter must be connected to their corresponding output bus. Inherently, power converters will have some internal energy loss, which is dissipated in the form of heat through an aluminum mounting surface. This surface must be cooled to maintain a temperature below the maximum operating temperature.

## Wire Gauge and Distance to Load

If the resistance of the wire, printed circuit board runs or connectors used to connect a converter to system components is too high, excessive voltage drop will result between the converter and system components, degrading overall system performance.

For example, if the DC/DC converter in Figure 1a is a 50W unit (5 Vdc @ 10 Amps) with output load regulation specified at 0.2%; the connection as shown will degrade load regulation by a factor of 10. In this example, the 4 feet of #14 AWG wire used to connect the converter output to the load, has a total line resistance of 10mΩ (ignoring any contact resistance). For a 50W, 5 Vdc output converter, the drop across the lead resistance will be 100mV (10 A X 0.010Ω) or 2% of the output. Thus, the converter is selected for 0.2% regulation, but the power system layout achieves only 2.2%.

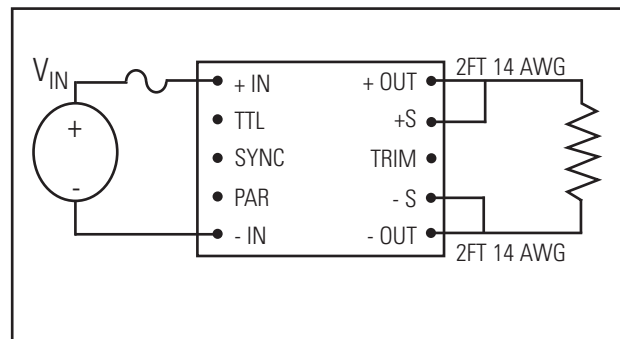


Figure 1a

This can be corrected by decreasing the distance between the converter output and load. If that is not possible, using larger diameter wire (see Table 1) or PCB runs that have a larger cross sectional area and shorter length will also reduce conductor resistance. The use of the converter's remote sense capability will also work (see remote sense for more information on this option).

**Note:** High IR drops between the converter and load may cause converter parameters (such as output voltage accuracy, remote sensing supplies, etc. to appear to be out of specification. High IR drops on input lines may cause start up problems (voltage at the input pins below the input range of the converter).



Obviously, any connections made to the power distribution bus present a similar problem. Poor connections (such as micocracking around solder joints) can cause serious problems such as arcing. Contact resistance must be minimized. Proper workmanship standards must be followed to insure reliable solder joints for board mount converters. Terminal strips, spade lugs and edge connectors must be free of any corrosion, dust or dirt. If parallel lines or connections are available for routing converter output currents, they should be utilized.

# AWG	Current Resistance (mΩ/Foot)	#AWG	Current Resistance (mΩ/Foot)
9	0.792	21	12.77
10	0.998	22	16.20
11	1.261	23	20.30
12	1.588	24	25.67
13	2.001	25	32.37
14	2.524	26	41.02
15	3.181	27	51.44
16	4.020	28	65.31
17	5.054	29	81.21
18	6.386	30	103.7
19	8.046	31	130.9
20	10.13	32	162.0

Table 1

## Ripple and Noise

Output ripple and noise (sometimes referred to as PARD or "Periodic and Random Deviations") can be defined as unwanted variations in the output voltage of a power supply. In switching power supplies this output noise is seen as a series of pulses with a high frequency content and is therefore measured as peak value (i.e., specified as "peak-to-peak".)

The RB, RW, and RM series power supplies are specified and tested in our factory with a 25 MHz bandwidth oscilloscope. Measurements taken by a scope set a higher frequencies (i.e., 300 MHz) may produce significantly different results due to noise coupling on to the probe from sources other than the power supply.

The length of all measurements leads (especially the ground lead) should be minimized and the sense pins should be tied to their respective outputs (+Sense to +Vout). We recommend measurement as close to the power supply as possible. This can be accomplished by connecting a short bus wire (generally 0.5 inch or less, making a loop at the end to place at the probe) to the negative and positive outputs on the back side of the connector mate, then place the tip of the probe on the +output and the ground ring (or ground band) on the - output for a true ripple measurement. This is displayed in Figure 1b below.

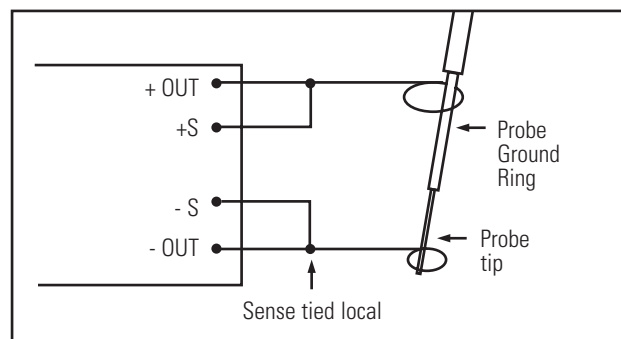


Figure 1b

Utilizing the probe ground ring (as opposed to a ground wire) will minimize the chance of noise coupling from sources other than the power supply. If this is not practical or possible then attached a 6 to 8 inches twisted pair wire to the outputs of the power supply and place a 10 to 20 μF tantalum capacitor (low ESR type, with an appropriate voltage rating) across the load. This test method is shown on Figure 1c.

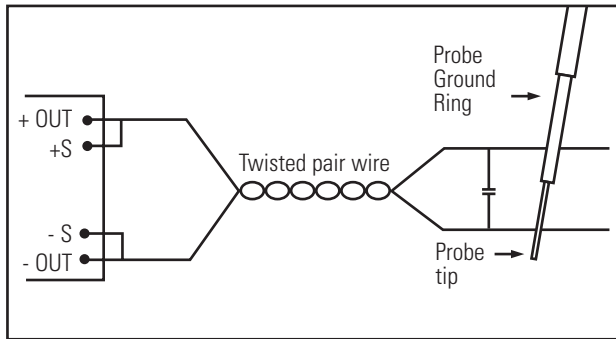


Figure 1c

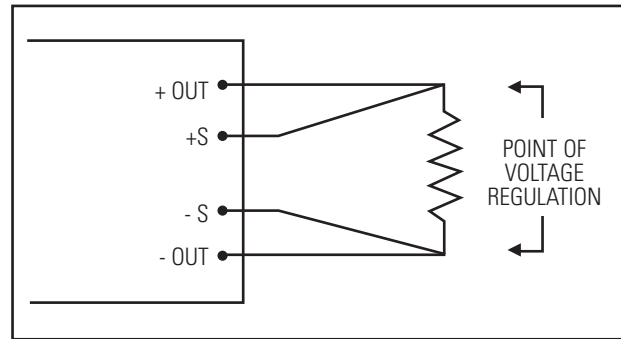


Figure 2: Remote Sense - Single Output

This test method will enable a remote measurement and eliminate any noise that may couple on to the extended leads coming off the converter.

## Remote Sense

Remote sense pins, +S and -S have been provided on the RB, RW and RM Series for applications where precise load regulation is required a distance from where the converter is physically located. If remote sensing is NOT required, these pins **MUST BE tied** to their respective output pins (+S to +OUT, -S to -OUT). If one or more of these sense pins are not connected to their respective output pins, the output(s) of the unit will not regulate to within specification and may cause a high output voltage condition.

**DO NOT** connect sense pins to any pin other than their respective output pins or permanent damage will occur.

**DO NOT** disconnect the output pins while the sense pins are still tied to the load and powered or permanent damage will occur.

**DO NOT** connect sense pins to any load other than the same load the output pins are connected to or permanent damage may occur.

The internal remote sense circuit is designed to compensate for a maximum of 0.5 V difference (0.25 V in each output lead) in voltage between the load and the power converter. Longer output leads or traces are required to be of sufficient gauge or width to maintain the voltage drop across them of 0.5 V maximum at rated load current.

## Parallel Operation

(100 and 200 Watt Modules only)

The RB, RW and RM Series have the capability of being paralleled to drive loads of higher power than a single unit can handle. The PAR pin is supplied on the unit for this function. If parallel operation of two or more units is required, the following precautions must be followed.

- Corresponding input and output leads or traces on each unit should be as equal in length and size as practical. The more equivalent the leads are the closer the current sharing.
- The leads connecting the PAR, +S and -S pins may need to be shielded to avoid high frequency noise interference in very high power applications.
- The PAR pins of all units should be tied together.

Or'ing diodes may be included in the positive output leads for true N+1 redundant systems, but are not necessary. Local sensing should be used whenever possible to minimize noise on +S and -S pins in parallel applications. Though this feature is available only on 100 and 200 watt modules, parallel operation can be between either (i.e. 100 watt unit tied to a 200 watt for 300 watts).

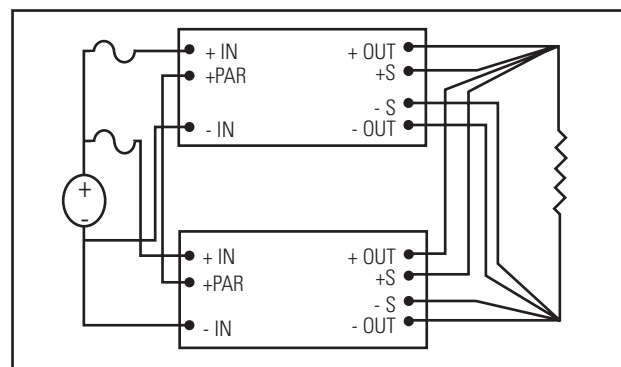
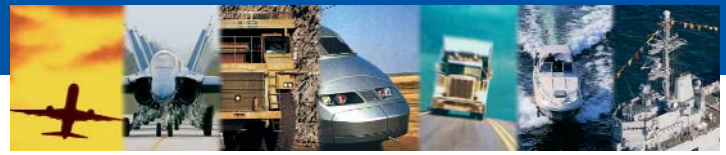


Figure 1c: Parallel Operation





## Series Operation

The RB, RW and RM Series of power supplies may be arranged in a series operating mode to supply higher output voltages when required (see Figure 4). In this configuration D1 and D2 are added to protect against the application of a negative across the outputs of the power converters during power up and power down. The two (or more) units need not have the same output voltage, but the output current supplied in this configuration will be limited to the lowest maximum output current of the modules used.

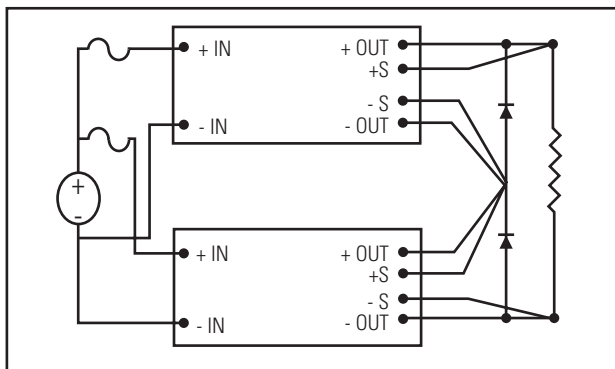


Figure 4: Series Operation

## Dual Output (+/-) Operation

(35 and 50 Watt Dual Outputs only)

The RB, RW and RM are available as dual (two channel) configurations for 35 and 50 watt modules (only). The two channels are completely independent and can be operated as either positive channels, negative channels or both (i.e., standard +/- configurations).

To operate the modules in the standard +/- configuration tie the positive rail of the first channel to the negative rail of the second channel and use this point as the reference ground as shown in Figure 5.

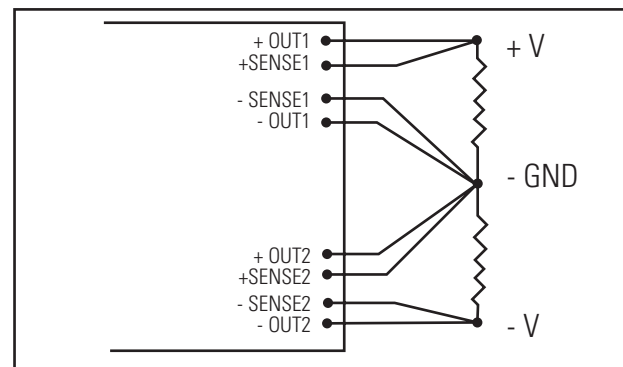


Figure 5: Dual Output (+/-) Operation

Additionally, since the modules offer two independent, isolated outputs it is possible to offer any combination of output voltages between 5 and 15 Vdc in one module i.e., a 5 Vdc and 5.2 Vdc in one common box. Consult factory for detail.



## Remote On/Off

The RB/RW/RM Series contains a remote on/off (TTL) feature. This allows control of the output power using a TTL level signal. The RB/RW/RM series +TTL and -TTL pins are isolated from all other signals, allowing them to be referenced to either input or output grounds. The TTL pins are tied to the input of an optocoupler that is limited to 10 mA maximum at logic level 1 (or 5 volts) inputs.

The unit will be on if the TTL pins are left floating (untied) or if they are shorted together. The output remains on if a logic level 0 (less than 0.8 volts) is applied at the +TTL pin with respect to the -TTL pin. Application of a logic level 1 at the +TTL pin with respect to the -TTL pin will inhibit the output.

## -ER Option

The “-ER” (Enhanced Reliability) option for the RB, RW and RM series upgrades the component parts from hermetic/Mil-grade to full military grade. Active devices upgrade to JAN, JANTX or MIL-STD-883 (wherever possible) and passive components upgrade to “M” level or better (wherever possible). The net result is typically a 2 to 3 times improvement in Mean Time Between Failure (MTBF) calculations per MIL-HDBK-217. No dimensions or electrical specifications will be changed. Exact calculations can be obtained displaying the impact of this option on the MTBF for a specific model. This option is not recommended for new designs. Please contact factory for details.

### Military Specifications; Environmental Qualifications

Specification	Condition	Method	Procedure	Test Condition
MIL-STD-704D	Input Transient			Transients up to 50Vdc for 0.1 sec (28 Vdc input) Transients up to 180 Vac for 0.1 sec (115 Vac input)
MIL-STD-810C	Vibration	514.2	1	Up to +/- 15gs, each axis for 3 hours +E23
MIL-STD-810C	Humidity	507.3	1	95% humidity, non-condensing for 10 days
MIL-STD-810C	Temp/Altitude	504.1	1	-55°C to +71°C @ 70,000 feet (category 6)
MIL-STD-810C	Acceleration	513.2	2	14 gs each axis
MIL-STD-810C	Mechanical Shock	516.2	1	Up to 40gs, each axis for 11ms
MIL-S-901C	High Impact Shock			5 feet hammer drop, each axis

Certified test reports are available upon request.