

1

2

3

4

A

A

B

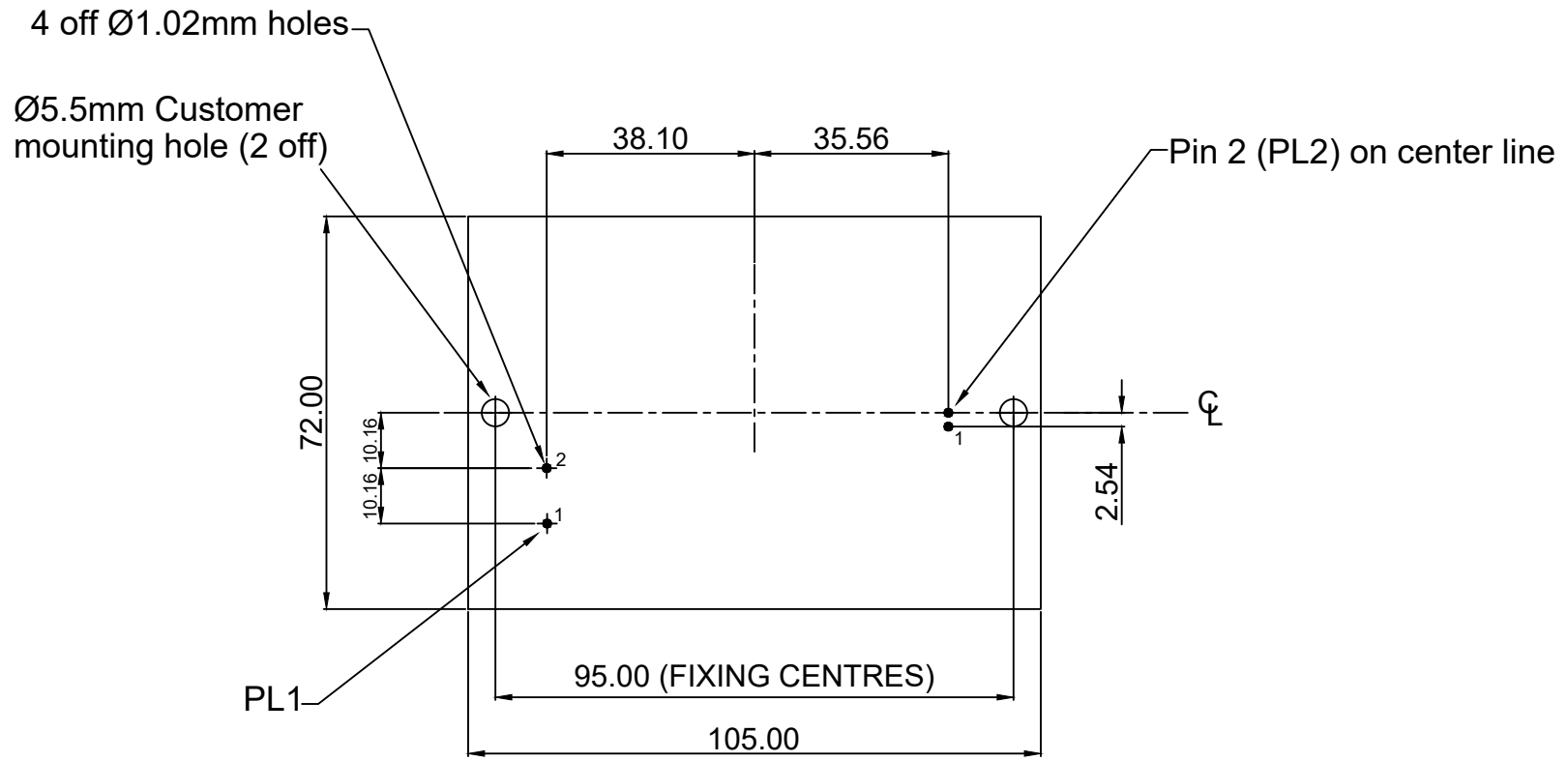
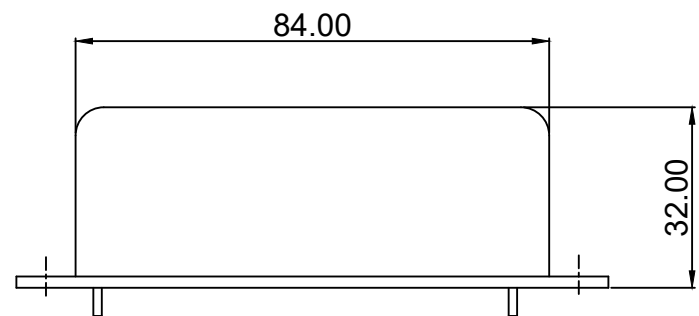
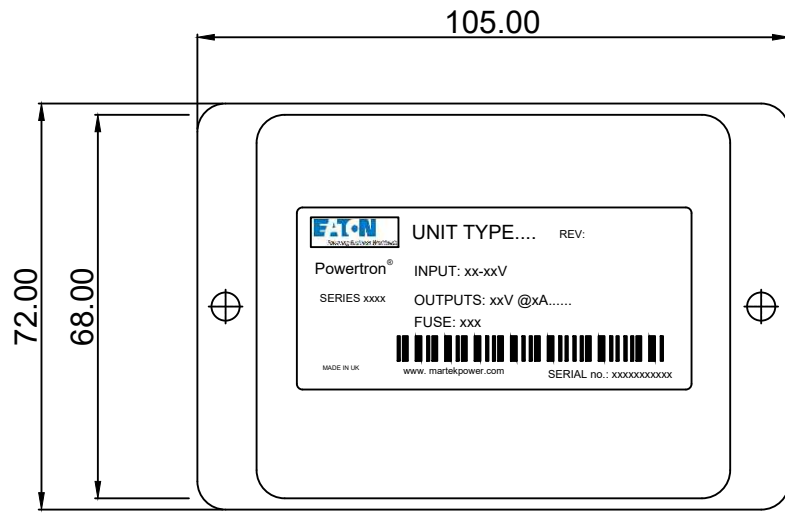
B

C

C

D

D



**Recommended PCB outline (viewed from component side)**

Notes:

All dimensions in mm.

Case: Moulded in flame retardant ABS to UL94 V-0.



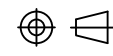
Input (PL1)

1: +Ve 2: -Ve

Output (PL2)

1: +Ve 2: -Ve

03	27.09.21	3038	MM	28.09.21
02	14.10.03	1824	JSH	03.11.03
01	28.07.97	---	JSH	30.07.97
Iss	Date	ECN	Appvd	Date

 IPC610/620/630 Class 3 - latest issue applies	This drawing is not to be disclosed to a third party without the written consent of Eaton Electrical Products Dimensions in mm unless stated otherwise Drawn Scale; 1 : 1 <b>IF IN DOUBT ASK</b>			 <b>Powering Business Worldwide</b> Eaton Electrical Products Cambridge, England T: (01954) 267726	
	Third angle Projection 				
Drawn by Checked by	J GILL 26.06.97	Size <b>A2</b>	Sheet <b>1</b>	Drawing No: <b>900-904</b>	