

Coupling for Plastic Optical Fiber

1 General description

The FO-Coupling style HFBR-Simplex is optimized for AVAGO HFBR latching series of connectors, it works with HFBR-4503/4513 and the HFBR-4516 duplex connector. Applicable with 1mm plastic optical fiber demanding a fast and easy assembly with high reliability, very good optical and mechanical characteristics.



Fig. 2 Photo: HFBR-Simplex adapter

2 Features

- simplex adapter
- RoHs compliant
- material 360Brass, nickel plated
- HFBR latching type compatible
- duplex application possible
- with mounting nut

3 Ordering information

FO-coupling for multimode PO-fiber

Item	Product number
HFRB-Simplex	902KH001H0001

4 Dimensioned drawing

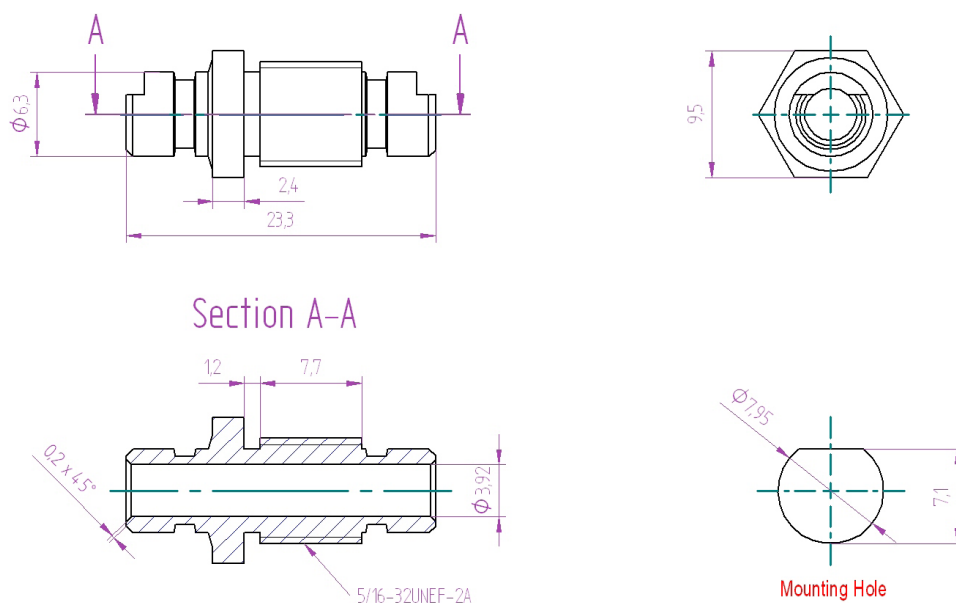


Fig 1 Drawing HFBR-Simplex adapter

Coupling for Plastic Optical Fiber

5 Technical data _____

Parameter	Value	Unit
Attenuation	< 2	dB
Repeatability 1000 cycles	< 0.75	dB
Service life	> 1000	-
Operating Temperature (°C)	-40 to +80	°C
Storage temperature (°C)	-40 to +125	°C
Humidity	95%	-

6 Application pictures _____



The information released by Ratioplast-Optoelectronics GmbH in this data sheet is believed to be accurate and reliable. However, no responsibility is assumed by Ratioplast-Optoelectronics GmbH for its use. Ratioplast-Optoelectronics GmbH reserves the right to change circuitry and specifications at any time without notification to the customer. ■