

F-SMA Fiber optic coupling

1 General description _____

F-SMA metal coupling suitable for fiber optic connectors acc. IEC 61754-22. Suitable for patch-cords with Polymer optical fiber cable POF acc. IEC 60793-2-40, or Multi-mode glass optical fiber cable acc. IEC 60793-2-10 or PCF cable acc. IEC 60793-2-30.



Pic. 1 F-SMA type coupling with washer and hexagonal nuts

2 Ordering information _____

F-SMA metal coupling;
accessories: washer and 2 hexagonal nuts

Type	Order number
incl. dust cap red	902KH001SM001
incl. dust cap black	902KH001SM001-01
dust cap not included	902KH001SM001-02
accessories not included	902KH001SM003

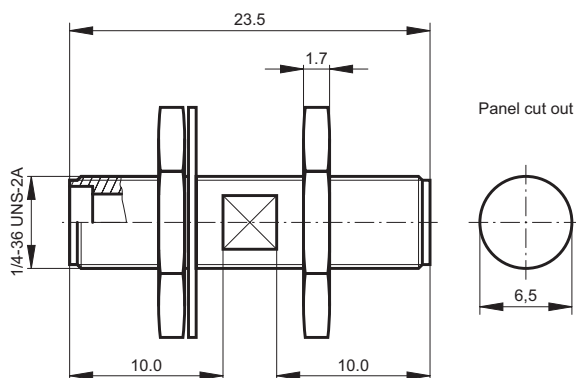
F-SMA metal coupling with hexagonal flange;
accessories: washer and hexagonal nut

Type	Order number
hexagonal flange	902KH001SM002

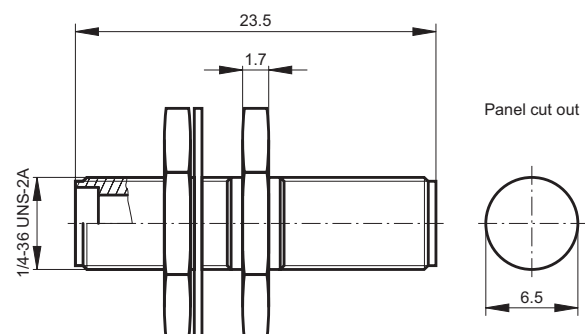


Bild 2 F-SMA type coupling with hexagonal flange, washer and nut

3 Dimensioned drawing _____



Pic. 3 F-SMA type coupling 902SS001SM001-02



Pic. 4 F-SMA type coupling 902KH001SM002

F-SMA Fiber optic coupling

4 Technical data _____

Parameter	Art	Min.	Typ.	Max.	Einheit
Material	Housing, sleeve Washer, nut Dust cap	German silver Brass nickel-plated PVC			
Protection class	IP20				
Storage temperature	-	-55	-	100	°C
Operating temperature	-	-40	-	85	°C
Insertion loss	MM Glas optical fiber POF	-	≤ 0.5 ≤ 1.0	-	dB
Mating cycles		-	500	-	Cycles

The information released by Ratioplast-Optoelectronics GmbH in this data sheet is believed to be accurate and reliable. However, no responsibility is assumed by Ratioplast-Optoelectronics GmbH for its use. Ratioplast-Optoelectronics GmbH reserves the right to change circuitry and specifications at any time without notification to the customer.