

Fiber Optic Adapter F-ST

1 General

F-ST metal coupling suitable for fiber optic connectors acc. IEC 61754-2. Suitable for patchcords with Polymer optical fiber cable POF acc. IEC 60793-2-40, or Multi-mode glass optical fiber cable acc. IEC 60793-2-10 or PCF cable acc. IEC 60793-2-30.



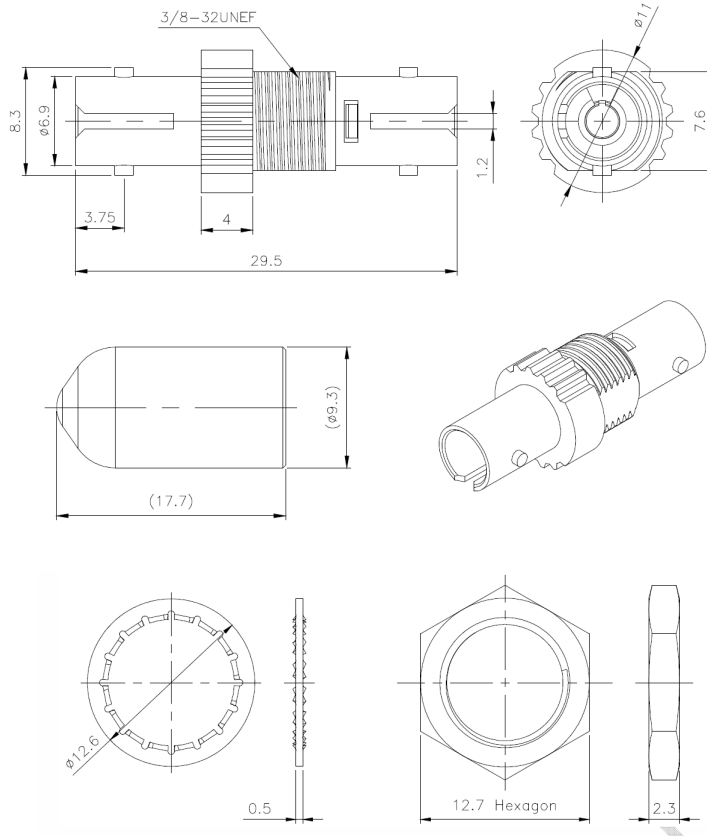
Pic. 1 F-ST adapter

2 Ordering information

F-ST Adapter (ZrO₂ Sleeve) including nut and washer

Specification	Part number
F-ST adapter	902KH001ST003

3 Dimensioned drawing



Pic. 2 Drawing

Fiber optic adapter F-ST

4 Technical data _____

Parameter	Condition	Min	Typ	Max	Unit
Material	Main body		Zinc Alloy		
	Sleeve		Zirconia (ZrO ₂)		
	Dust cap		PVC		
	Washer		Alloy Steel		
	Nut		Brass		
Storage temperature	-	-55	-	100	°C
Operating temperature	-	-40	-	85	°C
Insertion loss	-	0.15	-	0.2	dB
Mating cycles		-	500	-	Cycles

The information released by Ratioplast-Optoelectronics GmbH in this data sheet is believed to be accurate and reliable. However, no responsibility is assumed by Ratioplast-Optoelectronics GmbH for its use. Ratioplast-Optoelectronics GmbH reserves the right to change circuitry and specifications at any time without notification to the customer. ■