

**TOCA150 / TOCA 250 Coupling for Plastic Optical Fiber**

**1 General description**

TOCA150 Coupling simplex for F05 connectors: TOCP100, TOCP100P, TOCP155, TOCP155P, TOCP155K; mating face acc. JIS F05 Standard / IEC 60874-17

TOCA250 Coupling duplex for F07 connectors: TOCP200, TOCP200P, TOCP255, TOCP255P, TOCP255K; mating face acc. JIS F07 Standard

Suitable for applications with Polymere Optical Fiber (POF) acc. IEC 60793-2-40 Cat. A4a and A4d



Pic. 1 Coupling simplex/duplex

**2 Ordering information**

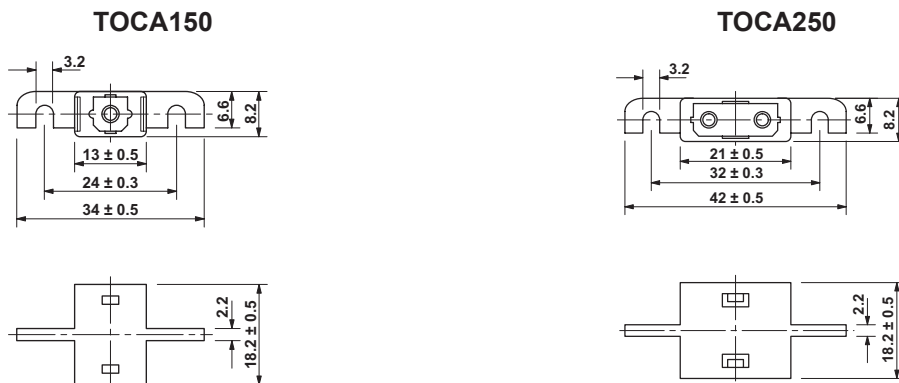
Type	Item number
TOCA150 simplex	902KH001TA150
TOCA250 duplex	902KH001TA250

**3 Technical data**

Parameter	Symbol	Condition	Min	Typ	Max	Unit
Storage temperature	$t_{stg}$	-	-40	-	85	°C
Operating temperature	$t_{opr}$	-	-20	-	70	°C
Attenuation	$\alpha_c$	1mm POF, polished fiber end face	-	2.5	-	dB
Protection class			IP20			

**Note:** Couplings are not suitable for applications with PCF / HCS fibers.

**4 Drawings**



The information released by Ratioplast-Optoelectronics GmbH in this data sheet is believed to be accurate and reliable. However, no responsibility is assumed by Ratioplast-Optoelectronics GmbH for its use. Ratioplast-Optoelectronics GmbH reserves the right to change circuitry and specifications at any time without notification to the customer.