

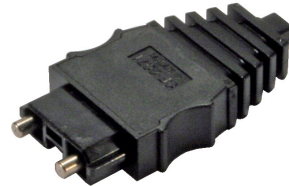
FO connector compatible to TOCP201QK duplex PCF

1 General

F-07 fiber optic connector for 200/230 μm PCF cable with outer diameter 2.2mm. Compatible to TOCP201QK.

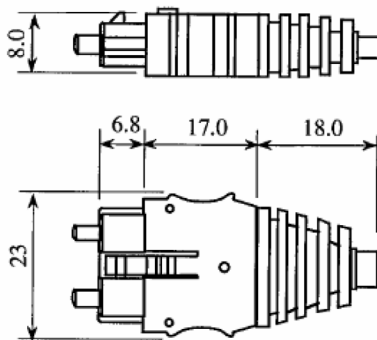
2 Ordering information

| Specification | Part number |
|-------------------------|---------------|
| F-07 duplex for HCS/PCF | 902SS230T201Q |



Pic. 1 F-07 connector HCS/PCF

3 Technical drawing

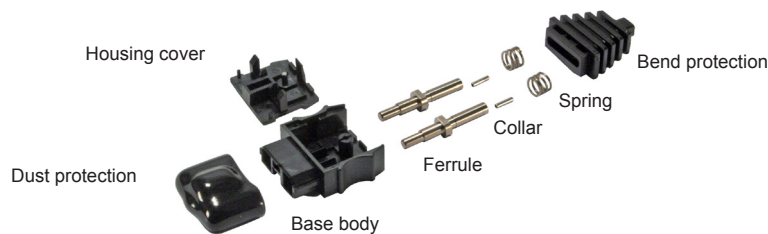


Pic. 2 Drawing F-07 connector PCF

5 Technical data

| Parameter | Min | Typ | Max | Unit |
|-----------------------------------|-----|-----|-----|------|
| Operating temperature | -40 | - | 85 | °C |
| Retention force connector / fiber | - | - | 80 | N |

4 Assembly



Pic. 3 Assembly sequence F-07 connector PCF

The information released by Ratioplast-Optoelectronics GmbH in this data sheet is believed to be accurate and reliable. However, no responsibility is assumed by Ratioplast-Optoelectronics GmbH for its use. Ratioplast-Optoelectronics GmbH reserves the right to change circuitry and specifications at any time without notification to the customer.