

Fiber Stripper for Optical Fibers

1 General

These easy to use and low cost stripping tools are especially suited for single-mode and multi-mode optical fibers acc. IEC 60793-2-xx. These fiber strippers enable clean and easy removing of primary fiber coating or PE and PVC fiber jackets.

Fiber strippers are available for different fiber types and fiber diameters.



Pic. 1 Fiber stripper

2 Ordering information

Part no.	Specification		
	Blade-Ø	Opening	Suitable Fiber Type
910AB00100001	1.00mm	2.20mm	POF
910AB00160001	0.60mm	1.30mm	PCF
910AB00150001	0.50mm	1.20mm	
910AB00140001	0.40mm	1.10mm	
910AB00130001	0.30mm	0.90mm	
910AB00118001	0.18mm	0.30mm	GOF

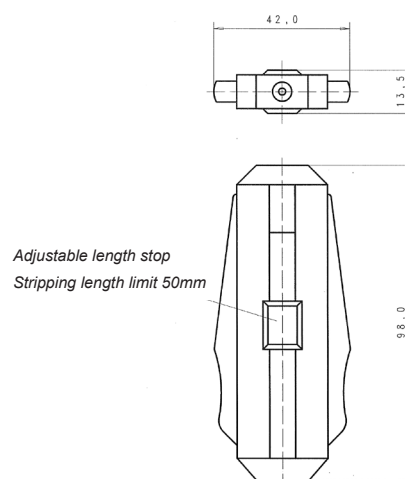
4 Technical specification

Material: plastic, stainless steel
 Dimensions: 98 x 42 x 13.5mm
 Weight: 25.5g
 Suitable for: (depending on fiber-/cable-Ø)
 POF
 (acc. IEC 60793-2-40 A4a & A4d)
 PCF (acc. IEC 60793-2-30 A3),
 GOF
 (acc. IEC 60793-2-10 A1a & A1b)

3 Operating instruction

- adjust fiber stripper stop collar to required stripping length
- slip fiber into fiber stripper opening until it butts against the stop collar
- push lateral handholds and rotate the fiber slightly to cut in the fiber jacket
- remove the fiber jacket

5 Dimensioned drawing



Pic. 2 Drawing fiber stripper

The information released by Ratioplast-Optoelectronics GmbH in this data sheet is believed to be accurate and reliable. However, no responsibility is assumed by Ratioplast-Optoelectronics GmbH for its use. Ratioplast-Optoelectronics GmbH reserves the right to change circuitry and specifications at any time without notification to the customer.