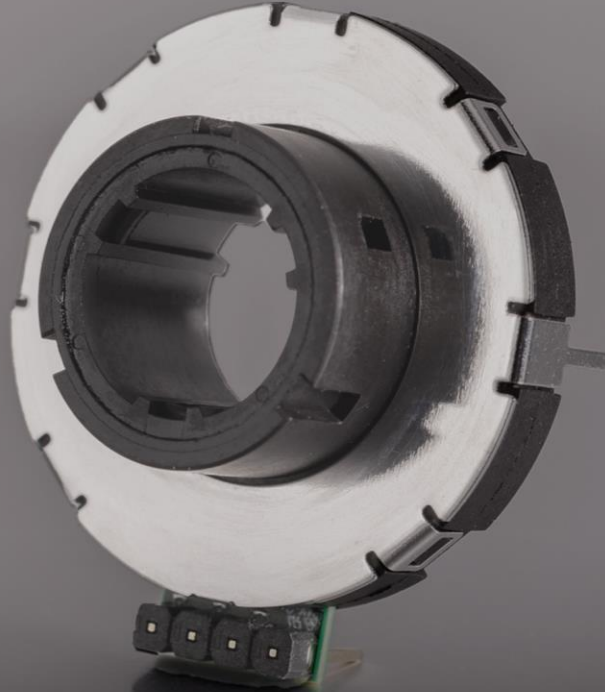




GRAYHILL

# RING ENCODER

EVERYTHING CLICKS.



GRAYHILL

# RING ENCODER

---

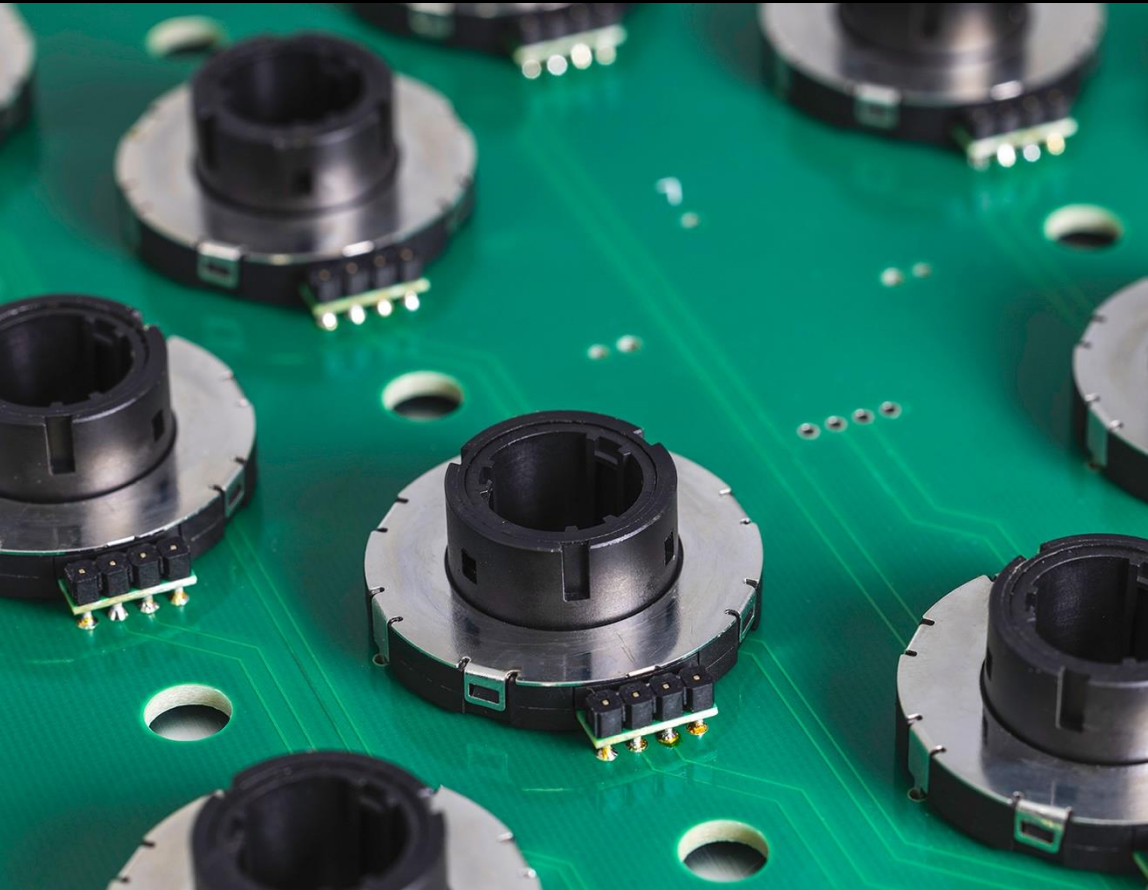
INNOVATING TO BRING  
LASTING IMPROVEMENTS  
TO THE WAY HUMANS  
INTERACT WITH MACHINES.





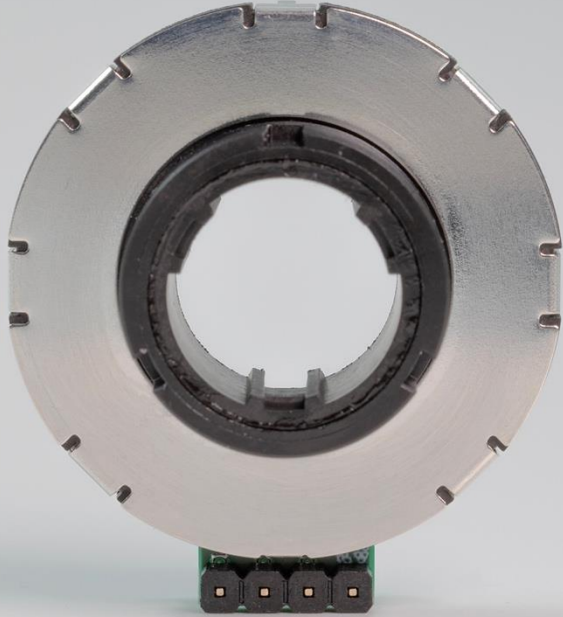
The Ring Encoder is a long-life, low-power optical encoder that easily integrates **a lighted knob** and pushbutton.





It is **ideal for industrial applications.**

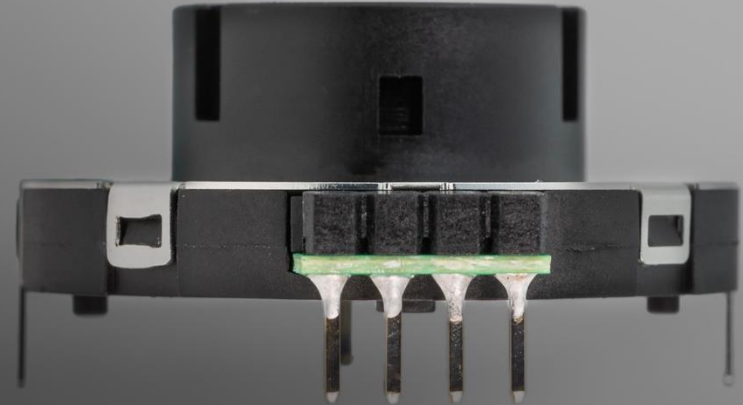




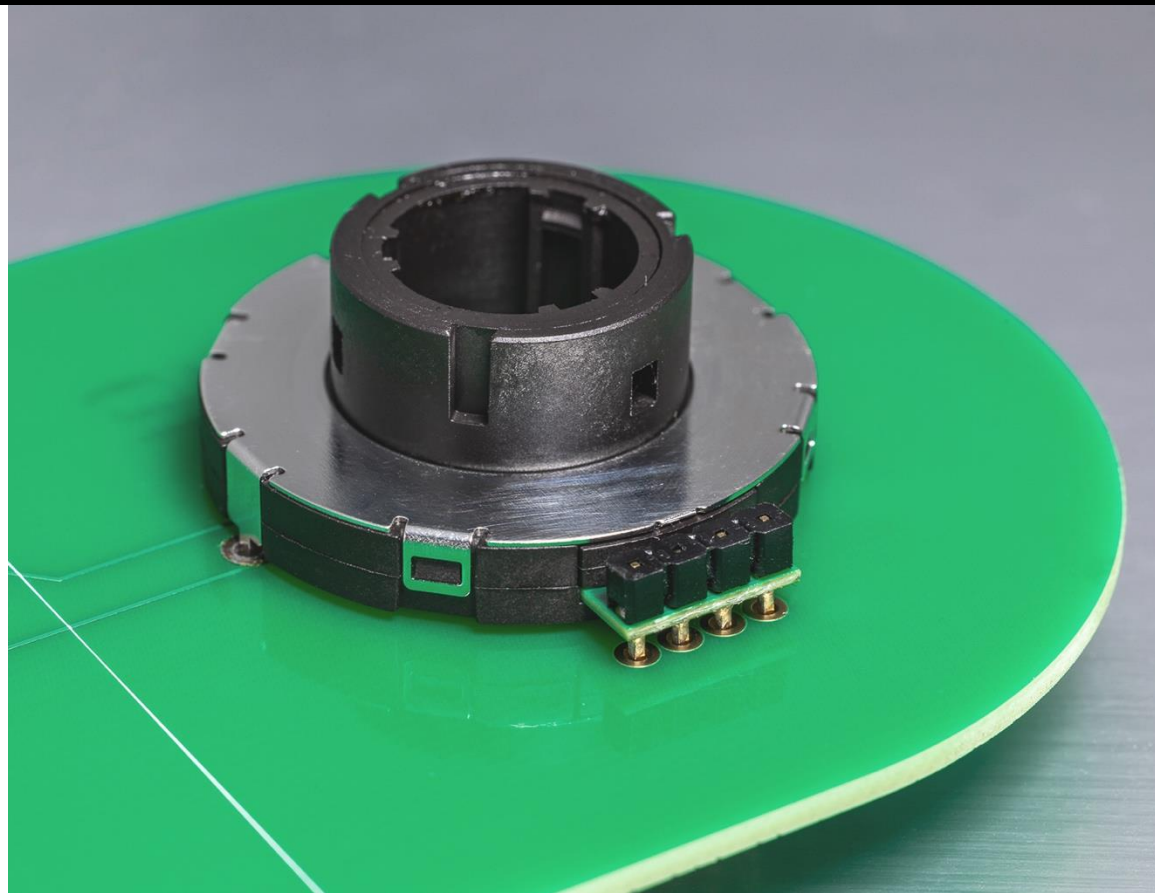
It is **dependable and long-lasting**, even under high use.



It is **cost-effective**  
and energy-efficient.



It **mounts directly** to your printed circuit board (PCB).



It's rotational life  
of 1,000,000 cycles  
**far exceeds the typical  
life** of 50,000 cycles from  
competitor components.

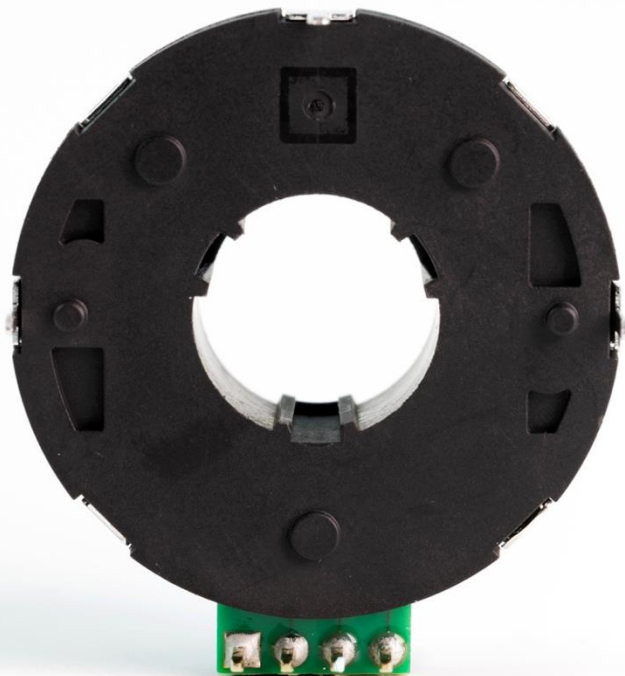






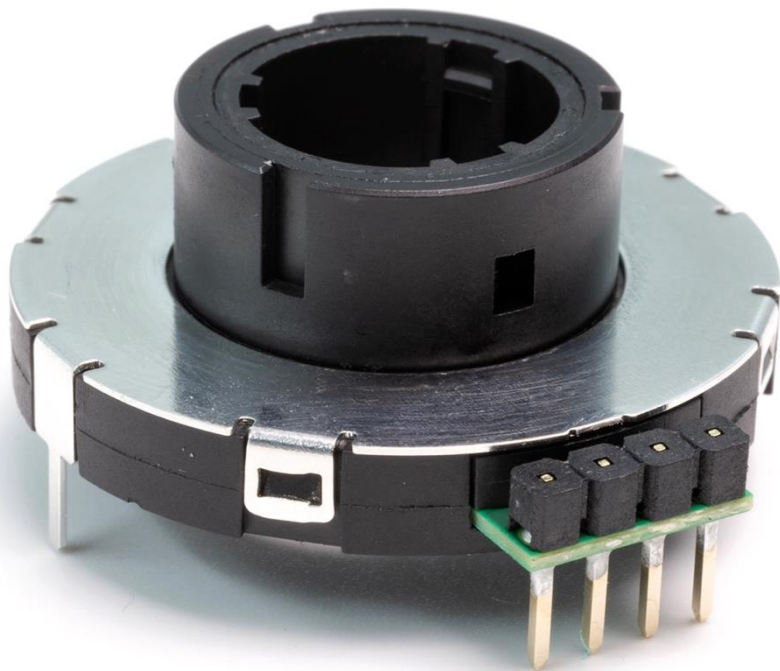
The **unique center through-hole** easily allows the addition of lighting and a pushbutton.





It is compatible with  
standard 5-volt and  
**energy-efficient**  
3.3-volt circuits.





The integrated Schmitt trigger and pull-up resistor eliminate the need to be integrated into the PC board, **saving space and cost.**



There are **three standard torque options**:  
smooth, low, and high.

Let us configure the  
Ring Encoder to your  
specifications.





The Ring Encoder is ideal for applications that require **extended rotational life...**



...medical equipment,  
**ultrasound panels** and  
patient monitoring equipment...



...test and  
measurement  
equipment...

...global positioning driver  
information systems...

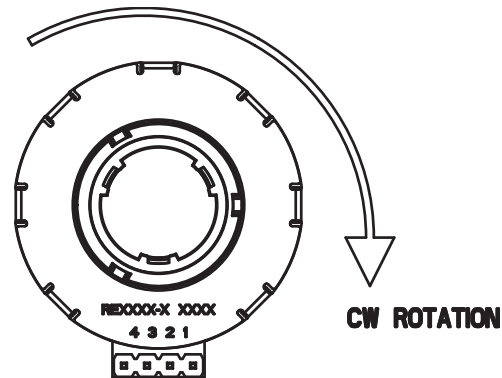
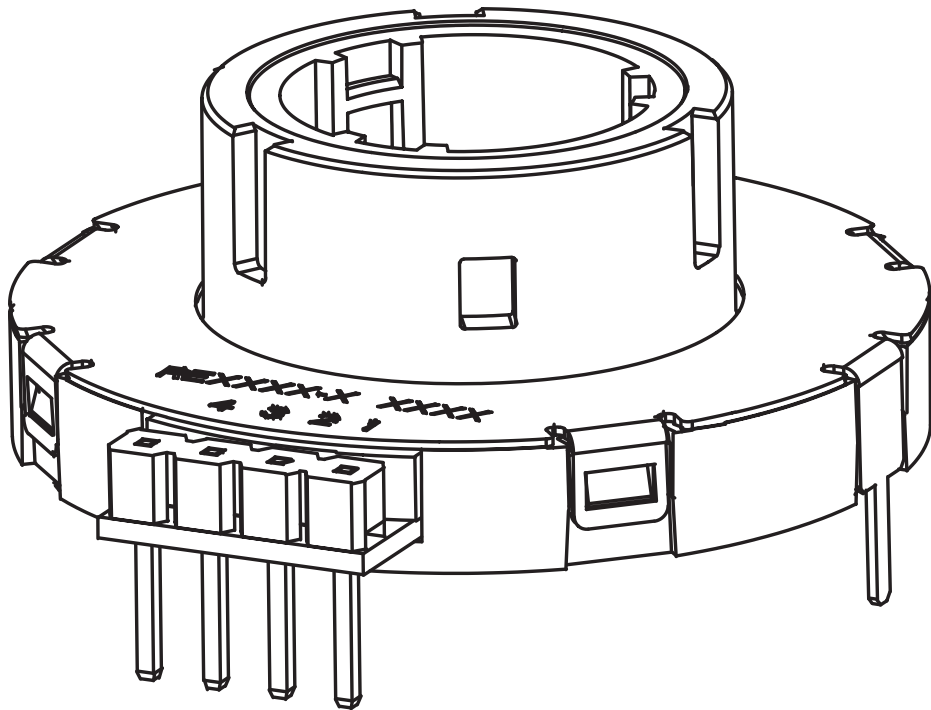






...and **home appliances**  
and other white goods.



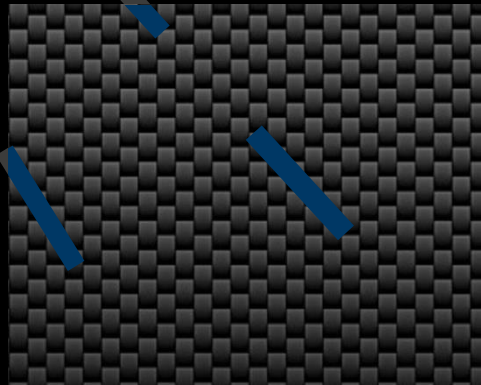


**CLICK**  
TO LEARN MORE

[grayhill.com/featured-products-ring-encoder](http://grayhill.com/featured-products-ring-encoder)



# RING ENCODER APPLICATIONS



# AGRICULTURE CONTROLS

## COMBINE VEHICLE CONTROL CONSOLE

APPLICATION: Audio, climate, and drive mode controls

MARKET: Off-Highway Controls

PRODUCT: Ring Encoder

CHOSEN FOR:

- Hollow shaft for illuminated knobs
- Compact design
- High rotational lifecycle at 1M cycles



RING ENCODER



# HEALTHCARE EQUIPMENT

## MEDICAL ULTRASOUND PANEL

APPLICATION: Healthcare equipment controls

MARKET: Healthcare

PRODUCT: Ring Encoder

### CHOSEN FOR:

- Hollow center thru-hole shaft
- Compact design
- High rotational lifespan
- Compatible with both standard (5V) and energy-efficient (3.3V) circuits



RING ENCODER



# PROFESSIONAL AUDIO EQUIPMENT

## DJ AUDIO PANEL

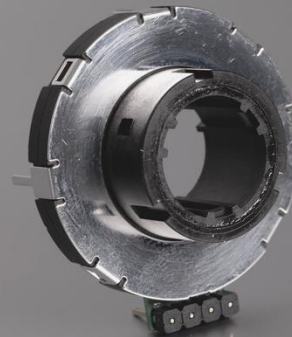
APPLICATION: Audio control

MARKET: Musical instruments  
and equipment

PRODUCT: Ring Encoder

### CHOSEN FOR:

- Hollow center thru-hole shaft
- Compact design
- High rotational lifespan



RING ENCODER

