



GRAYHILL

RING ENCODER

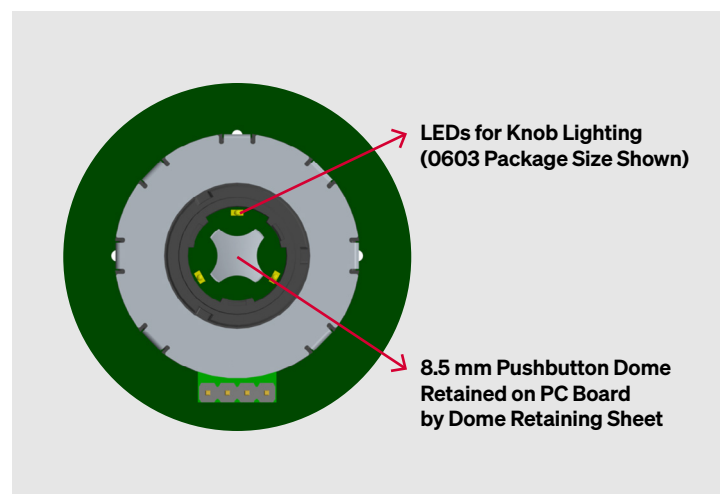
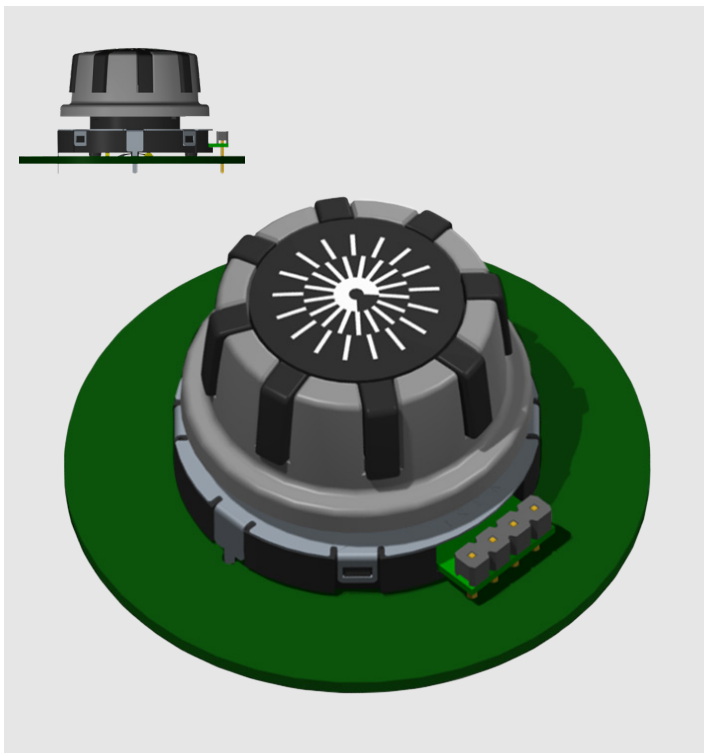
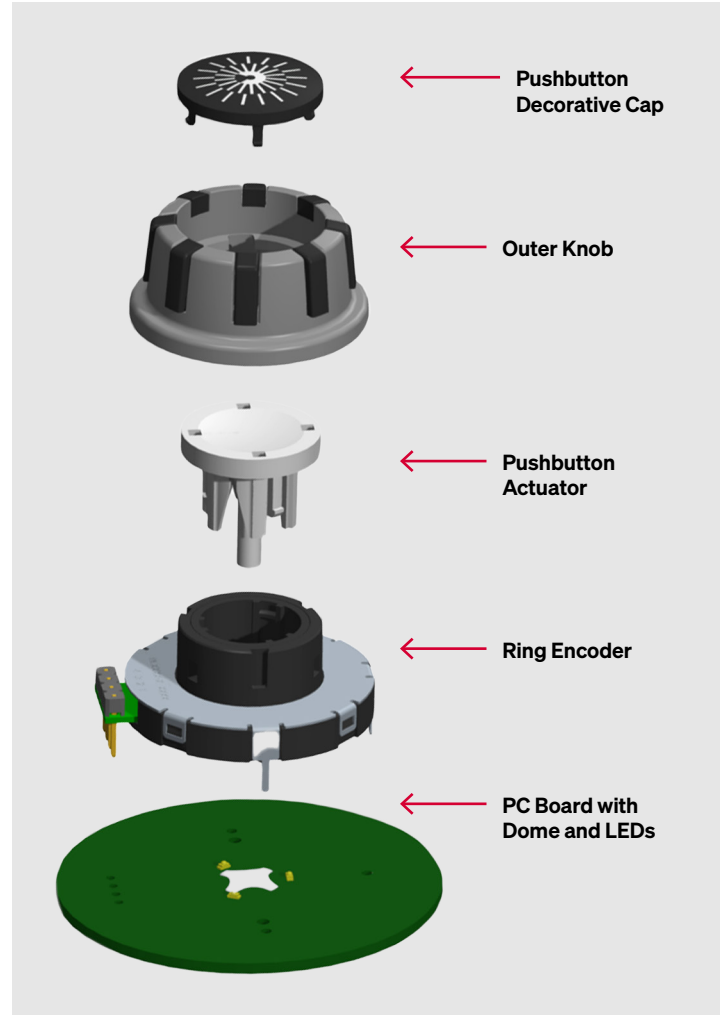
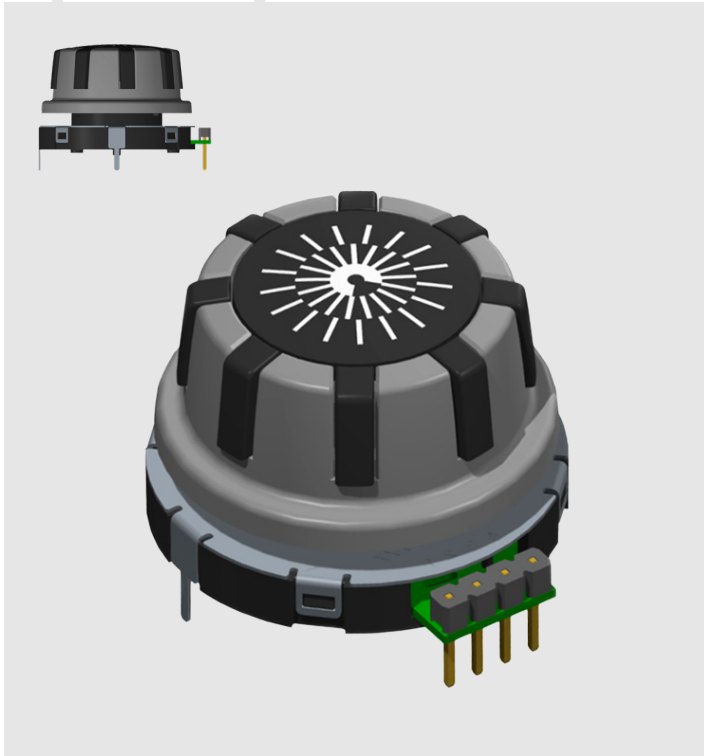
Knob Design Guide

Grayhill's innovative optical Ring Encoder features a hollow shaft that allows for easy integration of electro-mechanical functions, such as LEDs and center pushbuttons. Knob materials and colors can be fully customized. This versatility makes the Ring Encoder ideal for various industries, including agriculture, construction, healthcare, home appliances, and more.

→ Learn more at

→ Download the

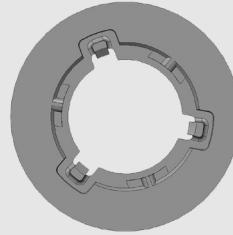
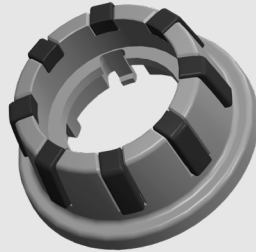
**For reference only. All dimensions should be confirmed by the customer for their application.*





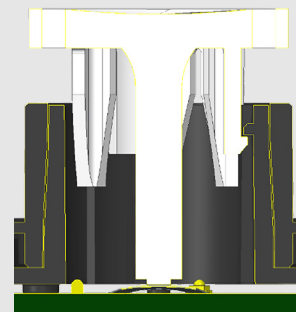
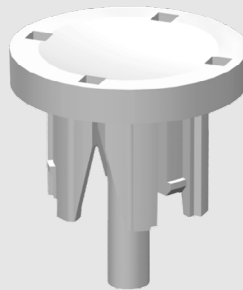
Outer Knob

- Concept: molded plastic with overmolded rubber
- Snaps and aligns to rotating Ring Encoder shaft



Pushbutton Actuator

- Concept: molded from semi-clear white plastic for light diffusion
- Snaps and aligns to center of Ring Encoder housing
- Follow dome manufacturer recommendations for actuator diameter



Pushbutton Decorative Cap

- Molded plastic with in-mold decoration or pad printing
- Concept shows lit areas as white
- Snaps to pushbutton actuator

