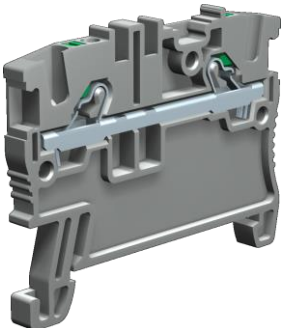
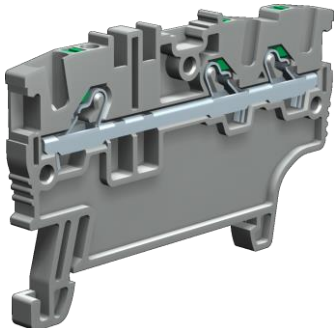
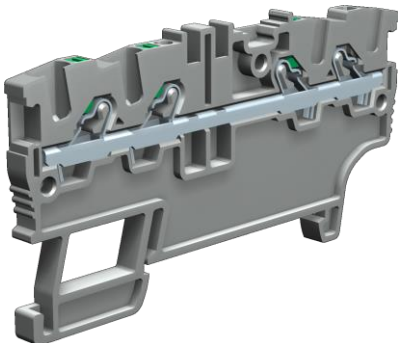
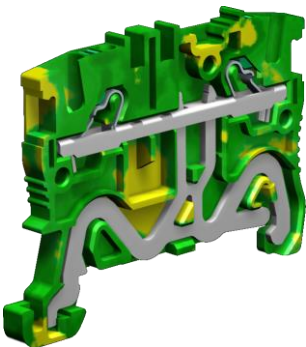
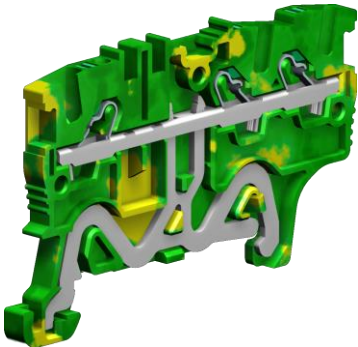
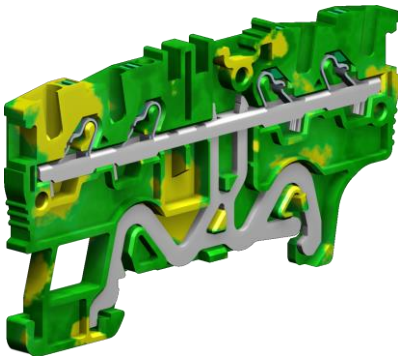


# cabur<sup>®</sup>

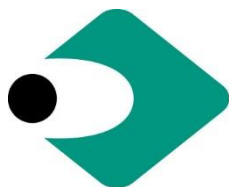
CONNECTING ENERGY  
SINCE 1952

**NEW**  
cabur

<b>EFC.1 / EFCE.1 Series</b> <b>Feed-through and earth terminal blocks, 1.5 mm<sup>2</sup>, thickness 3.5 mm</b>		
<b>EFC.1/GR</b> code EFC100GR	<b>EFC.1/1+2/GR</b> code EFC110GR	<b>EFC.1/2+2/GR</b> code EFC120GR
<b>EFC.1/BL</b> code EFC100BL	<b>EFC.1/1+2/BL</b> code EFC110BL	<b>EFC.1/2+2/BL</b> code EFC120BL
		
<b>EFCE.1</b> code EFCE100	<b>EFCE.1/1+2</b> code EFCE110	<b>EFCE.1/2+2</b> code EFCE120
		

- High wiring density, thanks to the thickness of only 3.5 mm
- Side and top marking
- Reduced wiring time
- Wire release button

Per richieste di supporto tecnico-commerciale  
dal lunedì al venerdì 8:30-12:30 13:00-17:00 +39 019 58999.219 [customer@cabur.it](mailto:customer@cabur.it)



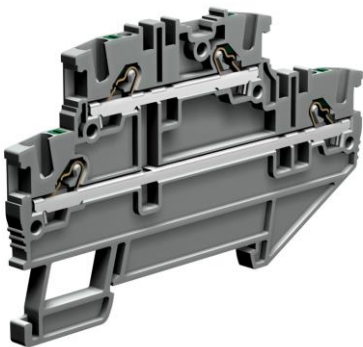
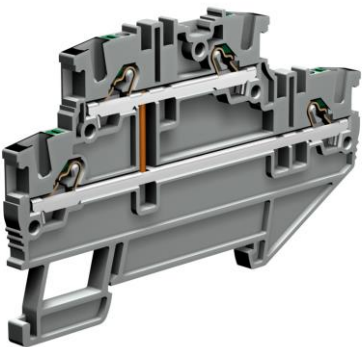
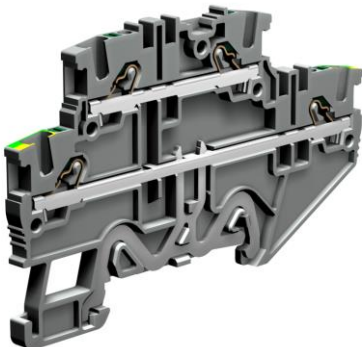
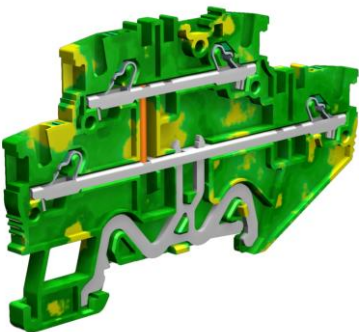
# cabur<sup>®</sup>

CONNECTING ENERGY  
SINCE 1952

**NEW**  
cabur

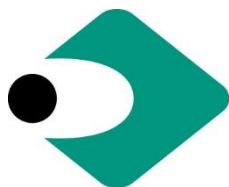
## EFD.1 / EFDE.1 Series

**Two levels feed-through and earth terminal blocks,  
1.5 mm<sup>2</sup>, thickness 3.5 mm**

<b>EFD.1/GR</b> code EFD100GR	<b>EFD.1/CI/GR</b> code EFD110GR	<b>EFD.1/E/GR</b> code EFD120GR
<b>EFD.1/BL</b> code EFD100BL	<b>EFC.1/CI/BL</b> code EFD110BL	
		
<b>EFDE.1</b> code EFDE100		
		

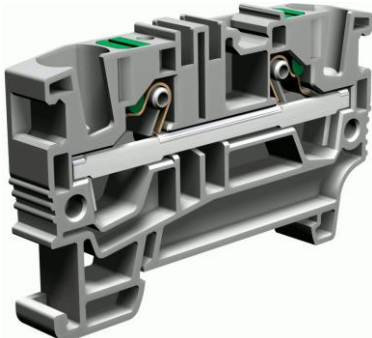
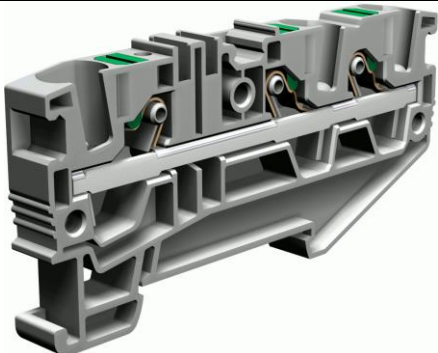
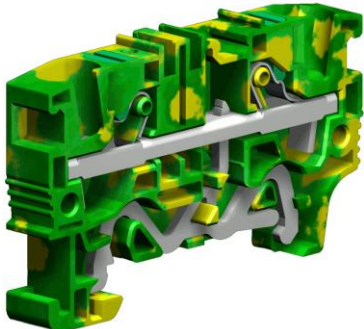
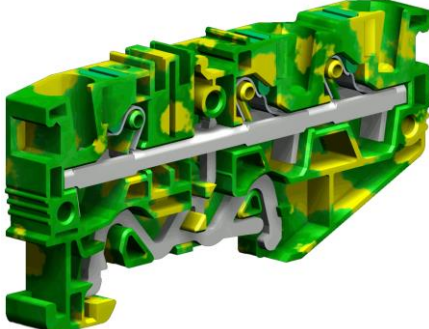
- High wiring density, thanks to the thickness of only 3.5 mm
- Side and top marking
- Reduced wiring time
- Wire release button

Per richieste di supporto tecnico-commerciale  
dal lunedì al venerdì 8:30-12:30 13:00-17:00 +39 019 58999.219 [customer@cabur.it](mailto:customer@cabur.it)

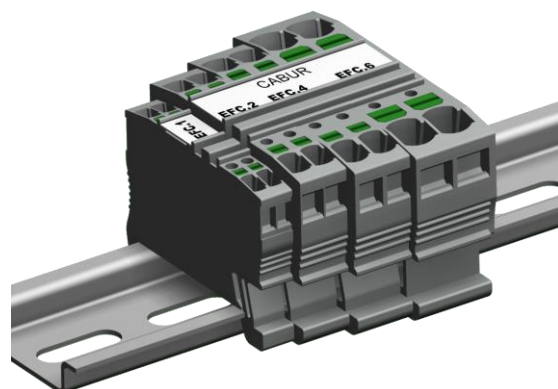


# cabur<sup>®</sup>

CONNECTING ENERGY  
SINCE 1952

<b>EFC.6 / EFCE.6 Series</b>	
<b>Feed-through and earth terminal blocks, 6 mm<sup>2</sup></b>	
<b>EFC.6/GR</b> code EFC600GR	<b>EFC.6/1+2/GR</b> code EFC610GR
<b>EFC.6/BL</b> code EFC600BL	<b>EFC.6/1+2/BL</b> code EFC610BL
	
<b>EFCE.6</b> code EFCE600	<b>EFCE.6/1+2</b> code EFCE610
	

- Side and top marking
- Reduced wiring time
- Wire release button



- same height as the 2.5 and 4 mm<sup>2</sup> terminal blocks = continuous top marking

Per richieste di supporto tecnico-commerciale  
dal lunedì al venerdì 8:30-12:30 13:00-17:00 +39 019 58999.219 [customercare@cabur.it](mailto:customercare@cabur.it)